

DS-VWC560

Portable Video Wall Cart

2x2 or 2x1 Configurations for 40" to 60" Displays*

The Peerless-AV® DS-VWC560 Portable Video Wall Cart provides tool-less micro adjustment for precise display alignment along with the strength to hold up to 4 displays measuring 40"-60"*. A security screw locking mechanism ensures that the displays stay in the location intended for perfect viewing positioning. With strong legs paired with horizontal supports, the wall cart holds a maximum load of 500lb (227kg). The 8-point adjustment offers seamless alignment. With 360° swivel, the durable swivel casters roll smoothly offering easy maneuverability. The DS-VWC560 Portable Video Wall Cart is compatible with VESA® patterns - 200 x 200, 400 x 200, 400 x 400, 600 x 400mm and PLP.

* Please review the compatibility formula on page 2 prior to ordering. Larger displays may require PLP adaptor.



FEATURES

- Lockable 5" casters enable safe and easy maneuverability over various flooring surfaces
- Displays are height adjustable
- Tool-less micro-adjustments at 8 points seamlessly align the displays
- Free standing video wall solution for 2x2 or 2x1 display configurations
- Cable management through the stand uprights
- Mounting hole patterns of 200 x 200 up to 600 x 400mm. Additional patterns supported with adaptor plates
- Base cover with internal media player shelf, hides wires for a clean appearance



Display size: 40"-60"



Max load: 500lb (227kg)

■ **VERSATILE**
2x2 and 2x1 configuration options



■ **HEIGHT ADJUSTMENT**
Multiple mounting slots allow for multiple height options

■ **NO TOOLS REQUIRED FOR MICRO-ADJUSTMENT**
Simple tool-less micro adjustment aligns displays seamlessly

■ **HEAVY DUTY STEEL CASTERS**
5" casters allow the cart to roll easily over various floor surfaces



Clean Profile



RoHS
2002/95/EC

MADE IN USA

CLICK: peerless-av.com

CALL: 800.865.2112

FAX: 800.359.6500

peerless-AV®

DS-VWC560 Portable Video Wall Cart 2x2 or 2x1 Configurations for 40" to 60" Displays*

Product Specifications

	DIMENSIONS (W x H x D)	PRODUCT WEIGHT	LOAD CAPACITY	FINISH	AVAILABLE COLORS
DS-VWC560	71.54" x 81.02" x 36.70" (1817 x 2058 x 932mm)	294lb (134kg)	500lb (227kg)	Powder coat	Black

Package Specifications

	PACKAGE SIZE (L x W x H)	PACKAGE SHIP WEIGHT	PACKAGE UPC CODE	PACKAGE CONTENTS	UNITS IN PACKAGE
DS-VWC560	85" x 37.5" x 12.5" (2159 x 952.5 x 317.5mm)	314lb (143kg)	735029277590	Stand, casters, display adaptors and hardware	1

Accessories

- ACC310:** Feet Accessory
- ACC-V800X:** Adaptor accessory for 600 x 400 and 800 x 400mm mounting patterns
- PLP-xxx:** PLP Adaptor Plates (Contact Peerless-AV Customer Care for more information.)

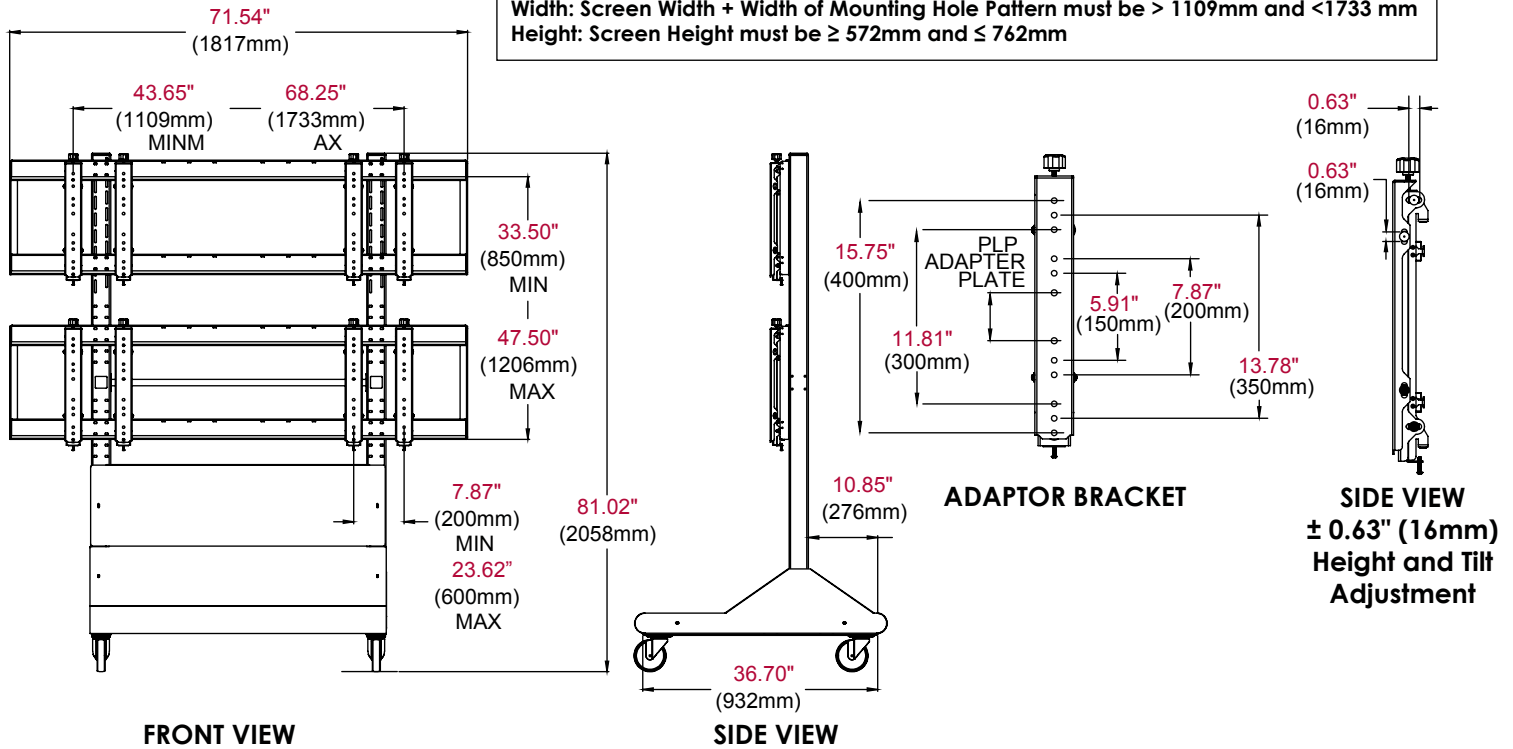
All dimensions = inch (mm)

* Please review the compatibility formula below prior to ordering. Larger displays may require PLP adaptor

COMPATIBILITY FORMULA

Width: Screen Width + Width of Mounting Hole Pattern must be > 1109mm and <1733 mm

Height: Screen Height must be ≥ 572mm and ≤ 762mm



ARCHITECTS SPECIFICATIONS

The Portable Video Wall Cart shall be Peerless-AV model DS-VWC560 and shall be located where indicated on the plans. It shall be constructed of heavy gauge steel. The finish shall be scratch resistant black fused epoxy. Assembly and installation shall be done according to instructions provided by the manufacturer.

Peerless Industries, Inc. ■ 2300 White Oak Circle ■ Aurora, IL 60502 ■ (800) 865-2112 ■ (630) 375-5100 ■ Fax: (800) 359-6500 ■ peerless-av.com

Visit peerless-av.com to see the complete line of AV solutions from Peerless-AV, including flat panel mounts, projector mounts, carts/stands, furniture, cables, screen cleaners and a full assortment of accessories.