

# peerless-AV<sup>®</sup>

## Installation and Assembly: Wall Plate Spacer Kit

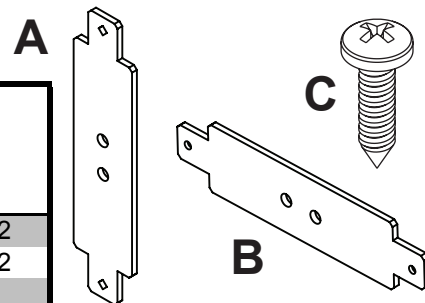
Model: DS-VWS0##

Before you begin, make sure all parts shown are included with your product.

Parts may appear slightly different than illustrated.

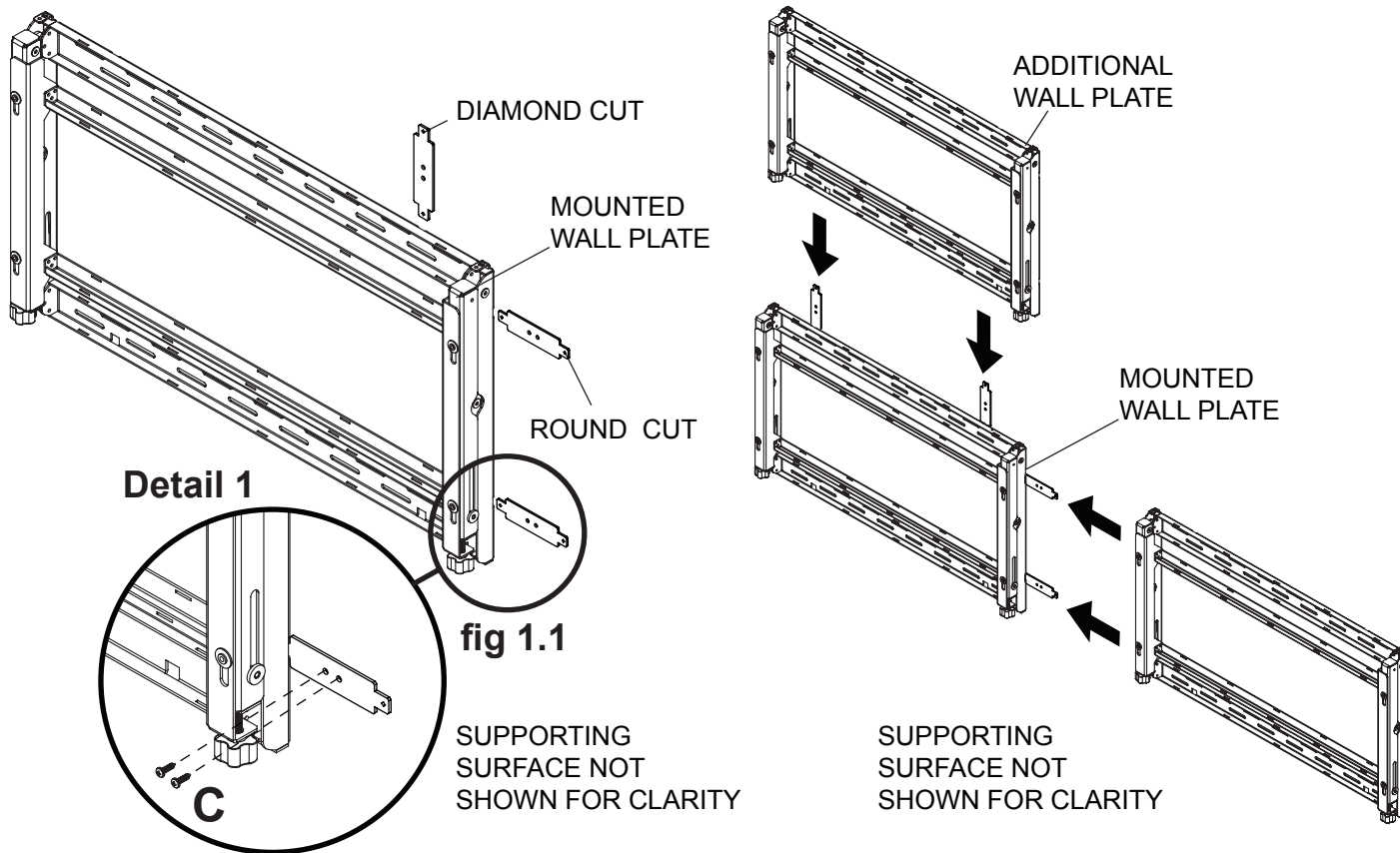
### Parts List

Description	Qty.	Part #
<b>A</b> vertical spacer	2	See chart on page 2
<b>B</b> horizontal spacer	2	See chart on page 2
<b>C</b> #10 x 3/4" wood screws	8	500-9006



**NOTE:** Refer to main product instruction for wall plate installation. Vertical spacer (**A**) is identified by diamond cut.

- Slide spacers (**A** and **B**) into tab of mounted wall plate as shown in figure 1.1. Keeping spacers (**A** and **B**) flush up against wall plate fasten with two #10 x 3/4" wood screws (**C**) as shown in detail 1. There must be two spacers placed on the same side as the additional wall plate. Align the tabs of the additional wall plate flush with the spacers. Follow main instruction for proper installation of additional wall plates.



WALL PLATE ASSEMBLIES MAY BE DIFFERENT THAN ILLUSTRATED

# SPACER CHART

CHART		
MODEL	VERTICAL	HORIZONTAL
DS-VWS002	145-1107	145-1106
DS-VWS004	145-1109	145-1108
DS-VWS006	145-1111	145-1110
DS-VWS007	145-1113	145-1112
DS-VWS009	145-1115	145-1114
DS-VWS011	145-1117	145-1116
DS-VWS012	145-1119	145-1118
DS-VWS013	145-1121	145-1120
DS-VWS014	145-1587	145-1586
DS-VWS015	145-1291	145-1290
DS-VWS016	145-1123	145-1122
DS-VWS017	145-1125	145-1124
DS-VWS018	145-1756	145-1755
DS-VWS019	145-1127	145-1126
DS-VWS020	145-1129	145-1128
DS-VWS021	145-1131	145-1130
DS-VWS022	145-1133	145-1132
DS-VWS023	145-1135	145-1134
DS-VWS024	145-1137	145-1136
DS-VWS025	145-1139	145-1138
DS-VWS026	145-1162	145-1161
DS-VWS028	145-1220	145-1219
DS-VWS029	145-1188	145-1187
DS-VWS030	145-1222	145-1221
DS-VWS031	145-1224	145-1223
DS-VWS033	145-1226	145-1225
DS-VWS037	145-1289	145-1288
DS-VWS038	145-1425	145-1424
DS-VWS039	145-1391	145-1390
DS-VWS040	145-1351	145-1350
DS-VWS041	145-1398	145-1397
DS-VWS042	145-1400	145-1399
DS-VWS043	145-1370	145-1369
DS-VWS044	145-1372	145-1371
DS-VWS045	145-1404	145-1403
DS-VWS046	145-1471	145-1470
DS-VWS049	145-1492	145-1491
DS-VWS050	145-1444	145-1443
DS-VWS052	145-1412	145-1411
DS-VWS053	145-1416	145-1415

CHART		
MODEL	VERTICAL	HORIZONTAL
DS-VWS056	145-1436	145-1435
DS-VWS057	145-1469	145-1468
DS-VWS060	145-1706	145-1474
DS-VWS061	145-1479	145-1478
DS-VWS062	145-1485	145-1484
DS-VWS063	145-1496	145-1495
DS-VWS064	145-1500	145-1499
DS-VWS066	145-1658	145-1657
DS-VWS070	145-1764	145-1765
DS-VWS074	145-1762	145-1761
DS-VWS075	145-1758	145-1757
DS-VWS076	145-1760	145-1759

## NUMBER OF SPACER KITS REQUIRED

Number of Horizontal Screens

Number of Vertical Screens	Number of Horizontal Screens									
	1	2	3	4	5	6	7	8	9	10
1	0	1	2	3	4	5	6	7	8	9
2	1	2	4	6	8	10	12	14	16	18
3	2	4	6	9	12	15	18	21	24	27
4	3	6	9	12	16	20	24	28	32	36
5	4	8	12	16	20	25	30	35	40	45
6	5	10	15	20	25	30	36	42	48	54
7	6	12	18	24	30	36	42	49	56	63
8	7	14	21	28	35	42	49	56	64	72
9	8	16	24	32	40	48	56	64	72	81
10	9	18	27	36	45	54	63	72	81	90