

DS-VWS546-2X2



Display size
40"-46"



Max load
600lb (272kg)

SMARTMOUNT.

Floor Stand Video Wall Mount

FOR 40" TO 46" DISPLAYS

Creating a 2x2 video wall is simple and cost effective with the Peerless-AV® DS-VWS546-2X2 Floor Stand Video Wall Mount. The single frame design easily clamps to the stand uprights making it ideal for Rental and Staging applications. The universal adaptors accommodate displays measuring 40"-46" and place displays on the same vertical plane. Once the displays are mounted, the built in horizontal adjustment leaves a seamless appearance.

DS-VWS546-2X2's height adjustment feature makes it easy to find the perfect viewing height for your desired application.



Additional Features

- ✓ 2x2 video wall stand kit
- ✓ Horizontal adjustment makes mounting and aligning displays quick and easy
- ✓ Designed for quick set up and breakdown making it ideal for rental and staging applications
- ✓ VESA® 200 x 200 up to 800 x 400mm compliant
- ✓ Video wall is height adjustable on the 72" (1829mm) poles
- ✓ Internal cable management for a clean, clutter-free appearance
- ✓ Video wall conversion kits model ACC-DS-VWS2X2 available for existing FPZ-600 stands



info@peerless-av.com
peerless-av.com

peerless-AV®

DS-VWS546-2X2 SmartMount® Floor Stand Video Wall Mount for 40" -46" Displays

Product Specifications

	DIMENSIONS (W x H x D)	PRODUCT WEIGHT	LOAD CAPACITY	FINISH	AVAILABLE COLORS
DS-VWS546-2X2	71.54" x 72.33" x 36.00" (1817 x 1837 x 914mm)	261lb (118kg)	600lb (272kg)	Powder Coat	Black

Package Specifications

	PACKAGE SIZE (W x H x D)	PACKAGE SHIP WEIGHT	PACKAGE UPC CODE	PACKAGE CONTENTS	UNITS IN PACKAGE
DS-VWS546-2X2	Box 1, Quantity 5: 72" x 4" x 4" (1829 x 102 x 102mm) Box 2, Quantity 1: 45.7" x 47.1" x 4.2" (1161 x 1196 x 107mm) Box 3, Quantity 2: 37.2" x 30.5" x 9.4" (945 x 775 x 239mm)	275lb (125kg)	735029295945	Two bases, four pole uprights, one 2x2 mount and hardware	1

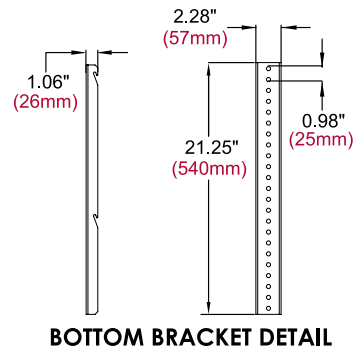
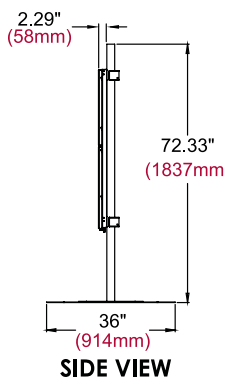
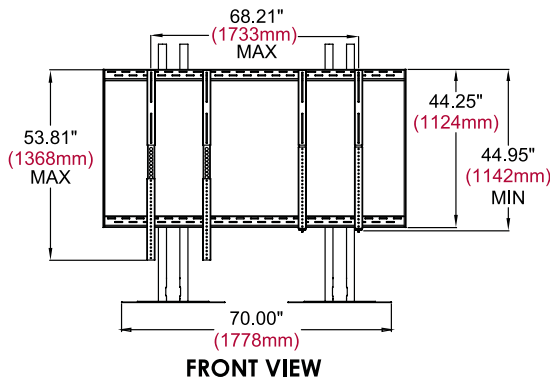
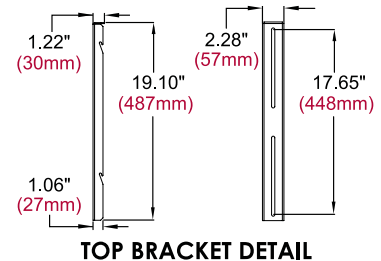
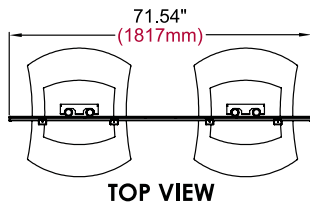
Accessories

- ACC-V800X: Adaptor for VESA® 600 x 400 and 800 x 400mm mounting patterns
- ACC340: Media Player Shelf

COMPATIBILITY FORMULA

Display must be at least 36" wide and 20.75" high
 Width of the display + width of the mounting hole pattern < 1733 mm
 Height of the display + height of the mounting hole pattern < 1136 mm

All dimensions = inch (mm)



Architect Specifications

The Smartmount® Floor Stand Video Wall Mount shall be a Peerless-AV model DS-VWS546-2X2 and shall be located where indicated on the plans. Assembly and installation shall be done according to instructions provided by the manufacturer.

Visit peerless-av.com to see the complete line of AV solutions from Peerless-AV, including outdoor displays, wireless, kiosks, digital audio, display mounts, projector mounts, carts/stands, and a full assortment of accessories.

Peerless-AV
 2300 White Oak Circle
 Aurora, IL 60502 USA
(800) 865-2112
(630) 375-5100
Fax: (800) 359-6500

Peerless-AV Europe
 Unit 3 Watford Interchange
 Colonial Way, Watford
 Herts, WD24 4WP
 United Kingdom
+44 (0) 1923 200100
Fax: +44 (0) 1923 200101

Peerless-AV de México
 Ave de las Industrias 413
 Parque Industrial Escobedo
 Escobedo, N.L.,
 Mexico 66050
+52 (81) 8384-8300
Fax: +52 (81) 8384-8360

