

DST970X2



Display size
40"-70"



Max load
**125lb (57kg)
per display**

Dual-Display Ceiling Mount

FOR 40"-70" DISPLAYS

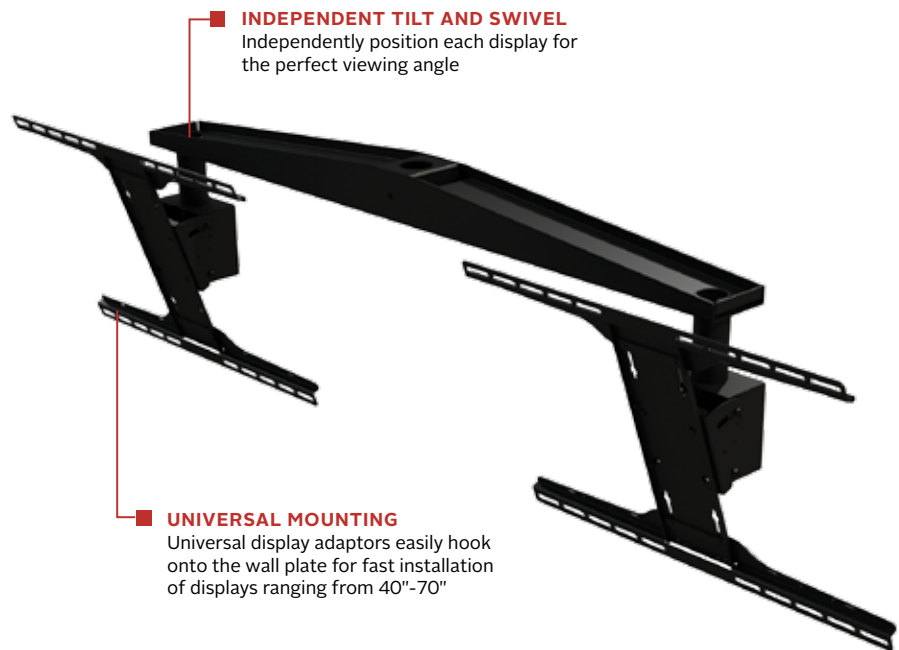
The DST970X2 Dual-Display Ceiling Mount from Peerless-AV® is the ideal mount for a digital signage application where two displays are required. The heavy gauge steel construction has been designed to effortlessly support two displays from a single column. By doing this, installation time is reduced, costs are lowered, and overall aesthetics are increased. With independent swivel and tilt, each display can be set to the optimal position to reach the target audience. The universal adaptors, which accommodate mounting hole patterns up to 600 x 400mm, are compatible with most displays in the 40"-70" range.

DST970X2 provides independent swivel and tilt, allowing each display to be positioned at the perfect viewing angle.



Additional Features

- ✓ Included universal adaptor plate will accommodate most displays in the 40"-70" range (note: display width is limited to 44" if both displays are facing forward)
- ✓ Compatible with an extensive line of Peerless-AV® fixed length and adjustable extension columns
- ✓ Simple hook on display attachment makes set-up quick and easy



INDEPENDENT TILT AND SWIVEL

Independently position each display for the perfect viewing angle

UNIVERSAL MOUNTING

Universal display adaptors easily hook onto the wall plate for fast installation of displays ranging from 40"-70"

RoHS

DST970X2	Dual-Display Ceiling Mount for 40"-70" Displays
-----------------	---

Product Specifications

	DIMENSIONS (W X H X D)	PRODUCT WEIGHT	LOAD CAPACITY	FINISH	AVAILABLE COLORS
DST970X2	67.62" x 16.75" x 4.42" (1718 x 425 x 112mm)	50lb (22.7kg)	125lb (57kg) per display	Powder Coat	Black

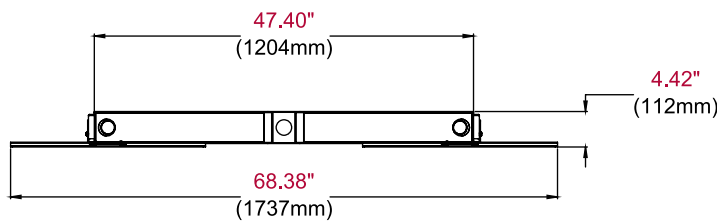
Package Specifications

	PACKAGE SIZE (W x H x D)	PACKAGE SHIP WEIGHT	PACKAGE UPC CODE	PACKAGE CONTENTS	UNITS IN PACKAGE
DST970X2	53.60" x 9.50" x 9.50" (1361 x 241 x 241mm)	62lb (28.1kg)	735029299226	Dual cross support, 6" extension column (2), tilt box (2), universal adaptor (2) and mounting hardware	1

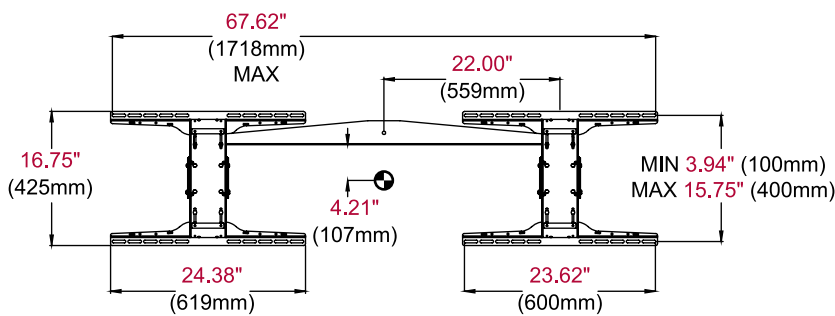
Accessories

ACC, CMJ, DCS and DCT models: Ceiling Plates
EXT, AEC and ADD models: Ceiling Extension Columns

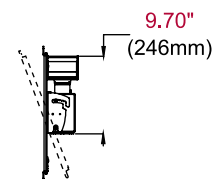
All dimensions = inch (mm)



TOP VIEW



FRONT VIEW



**SIDE VIEW
20° MAX TILT**

Architect Specifications

The Dual-Display Ceiling Mount shall be a Peerless-AV model DST970X2 and shall be located where indicated on the plans. Assembly and installation shall be done according to instructions provided by the manufacturer.

Visit peerless-av.com to see the complete line of AV solutions from Peerless-AV, including outdoor displays, wireless, kiosks, digital audio, display mounts, projector mounts, carts/stands, and a full assortment of accessories.

Peerless-AV
 2300 White Oak Circle
 Aurora, IL 60502 USA
(800) 865-2112
(630) 375-5100
Fax: (800) 359-6500

Peerless-AV Europe
 Unit 3 Watford Interchange
 Colonial Way, Watford
 Herts, WD24 4WP
 United Kingdom
+44 (0) 1923 200100
Fax: +44 (0) 1923 200101

Peerless-AV de México
 Ave de las Industrias 413
 Parque Industrial Escobedo
 Escobedo, N.L.,
 Mexico 66050
+52 (81) 8384-8300
Fax: +52 (81) 8384-8360

