

DST980-3



Display size  
**37"-80"**



Max load  
**495lb (225kg)**  
165lb (75kg per display)

# Multi-Display Ceiling Mount with Three Telescoping Arms

FOR 37" TO 80" DISPLAYS

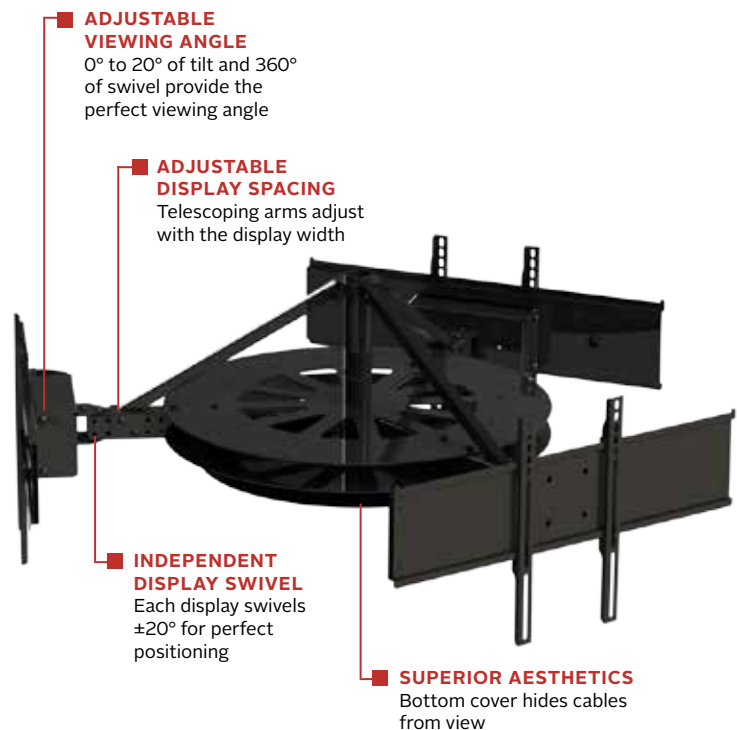
The DST980-3 Multi-Display Ceiling Mount includes telescoping arms that hold three displays evenly spaced in a triangular configuration, helping you create the ideal multi-display ceiling mounted solution. Each arm's adjustable depth allows the installer to set the spacing between each display to meet your application's needs. With 360° of swivel, and 0° to 20° of tilt, this mount creates the perfect viewing angle for any application. The mount has been designed with superior aesthetics in mind and provides a bottom cover, resulting in sleek and clutter-free cable management throughout the entire solution.

***DST980-3's telescoping arms offer spacing flexibility, so you can find the perfect placement for your display.***



## Additional Features

- ✓ Universal mount fits displays with mounting patterns up to 730 x 405mm (28.75"W x 15.95"H)
- ✓ 0° to 20° of tilt and 360° of swivel at time of installation
- ✓ Arms telescope to allow for the desired display spacing
- ✓ Bottom cover provides aesthetically pleasing cable management
- ✓ Quad and Hex options also available



**DST980-3** Multi-Display Ceiling Mount with Three Telescoping Arms for 37"-80" Displays

**Product Specifications**

	DIMENSIONS (W x H x D)	PRODUCT WEIGHT	LOAD CAPACITY	FINISH	AVAILABLE COLORS
<b>DST980-3</b>	59.00" x 21.80" x 59.00" (1499 x 554 x 1499mm)	119lb (54kg)	495lb (225kg) 165lb (75kg) per display	Matte/Flat	Black

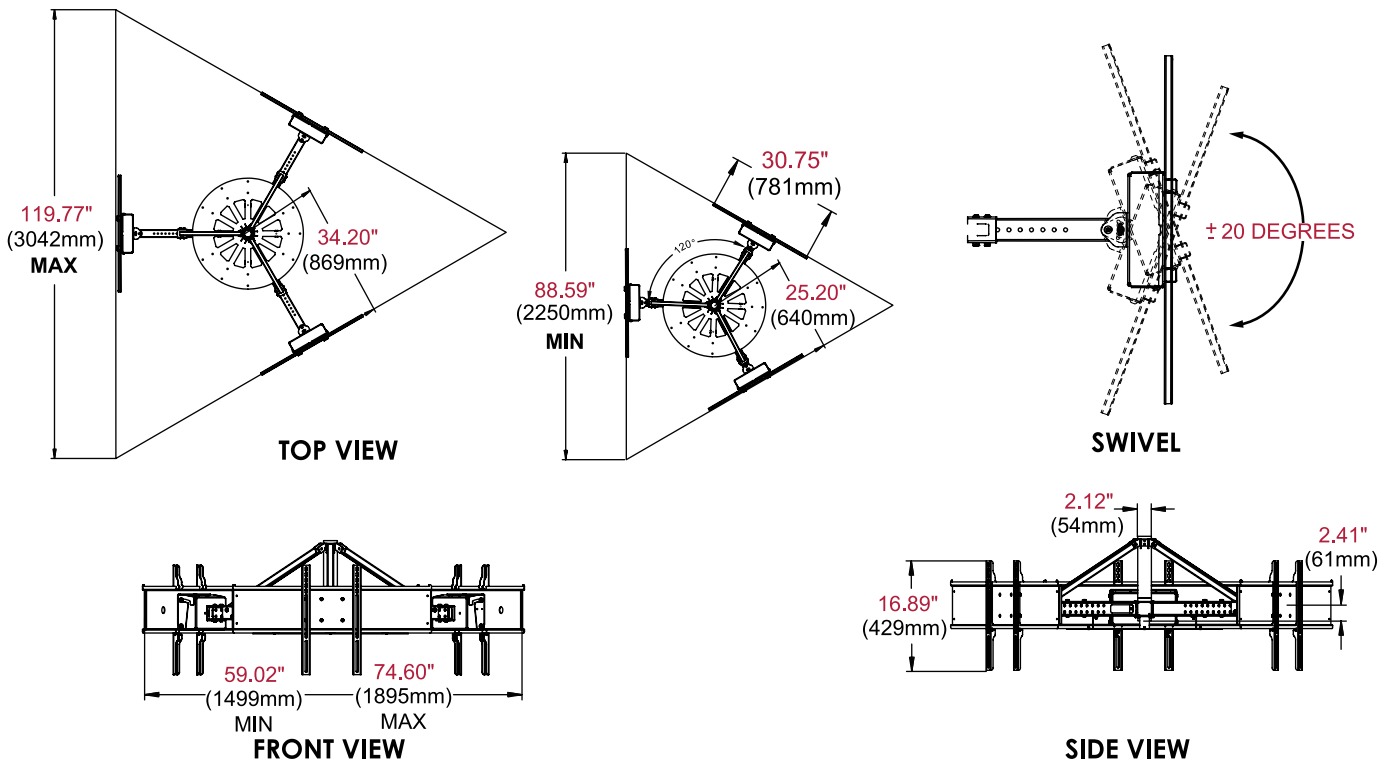
**Package Specifications**

	PACKAGE SIZE (W x H x D)	PACKAGE SHIP WEIGHT	PACKAGE UPC CODE	PACKAGE CONTENTS	UNITS IN PACKAGE
<b>DST980-3</b>	33.10" x 31.90" x 10.75" (841 x 810 x 273mm)	140lb (63.6kg)	735029302452	Mounting hub, telescoping arms, universal adaptor plate and mounting hardware	1

**Accessories**

**ADD Models:** Ceiling Extensions (ADD018024-ADD1012)  
**DCS, DCT Models:** Ceiling Plates

All dimensions = inch (mm)



**Architect Specifications**

The Multi-Display Ceiling Mount with Three Telescoping Arms shall be a Peerless-AV model DST980-3 and shall be located where indicated on the plans. Assembly and installation shall be done according to instructions provided by the manufacturer.

Visit [peerless-av.com](http://peerless-av.com) to see the complete line of AV solutions from Peerless-AV, including outdoor displays, wireless, kiosks, digital audio, display mounts, projector mounts, carts/stands, and a full assortment of accessories.

**Peerless-AV**  
2300 White Oak Circle  
Aurora, IL 60502 USA  
**(800) 865-2112**  
**(630) 375-5100**  
**Fax: (800) 359-6500**

**Peerless-AV Europe**  
Unit 3 Watford Interchange  
Colonial Way, Watford  
Herts, WD24 4WP  
United Kingdom  
**+44 (0) 1923 200100**  
**Fax: +44 (0) 1923 200101**

**Peerless-AV de México**  
Ave de las Industrias 413  
Parque Industrial Escobedo  
Escobedo, N.L.,  
Mexico 66050  
**+52 (81) 8384-8300**  
**Fax: +52 (81) 8384-8360**

