

ESA746PU  
ESA746PU-S

# Corrosion Resistant Articulating Mount

## For 26"-46" Indoor or Outdoor Displays

The Corrosion Resistant Articulating Mount for 26"-46" Indoor or Outdoor Displays from Peerless-AV is ready to let entertainment prosper in any indoor or outdoor environment. The ESA746PU is specially coated with a protective anti-corrosive e-coating that repels damaging temperature-related and outdoor corrosive elements. Delivering all weather indoor and outdoor display placement value for uses on a terrace, pool deck or in grill areas. This all-environment mount is also ideal for installations in humid indoor areas like locker rooms, bathrooms and indoor pools. Indoors or out the ESA746PU provides durable all-environment mounting solution that is ready for any setting.



### FEATURES

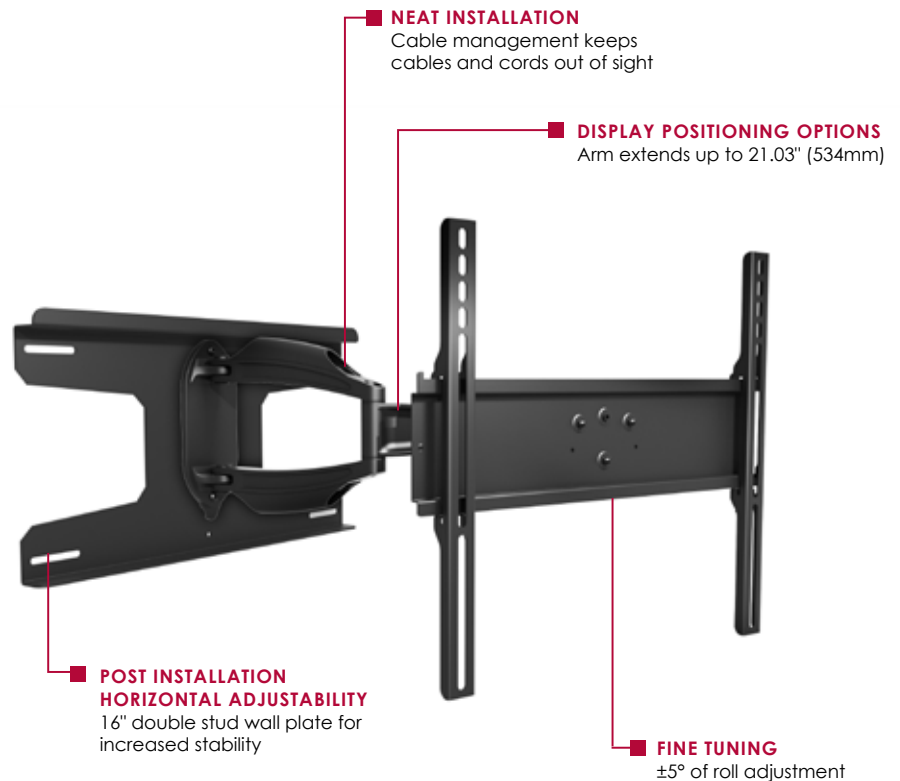
- Made of corrosion resistant materials for weather resistance
- 21.03" (534mm) arm extension when collapsed 4.28" (109mm) from the wall
- Three adjustable pivot points for versatile display positioning
- +15°/-5° tilt, 90° swivel
- ±5° roll aids in post installation display viewing
- Double stud mounting option with 2" (50.8mm) of horizontal adjustment
- Integrated cable management keeps cables out of the way



Display size: 26"-46"



Max load: 80lb (36kg)



■ **NEAT INSTALLATION**  
Cable management keeps cables and cords out of sight

■ **DISPLAY POSITIONING OPTIONS**  
Arm extends up to 21.03" (534mm)

■ **FINE TUNING**  
±5° of roll adjustment

■ **POST INSTALLATION HORIZONTAL ADJUSTABILITY**  
16" double stud wall plate for increased stability



Post-installation leveling



Cable management from display to wall plate protects and organizes cables



CLICK: [peerless-av.com](http://peerless-av.com)

CALL: 800.865.2112

FAX: 800.359.6500

peerless-AV

**ESA746PU(-S)** Corrosion Resistant Articulating Mount for 26"-46" Indoor or Outdoor Displays

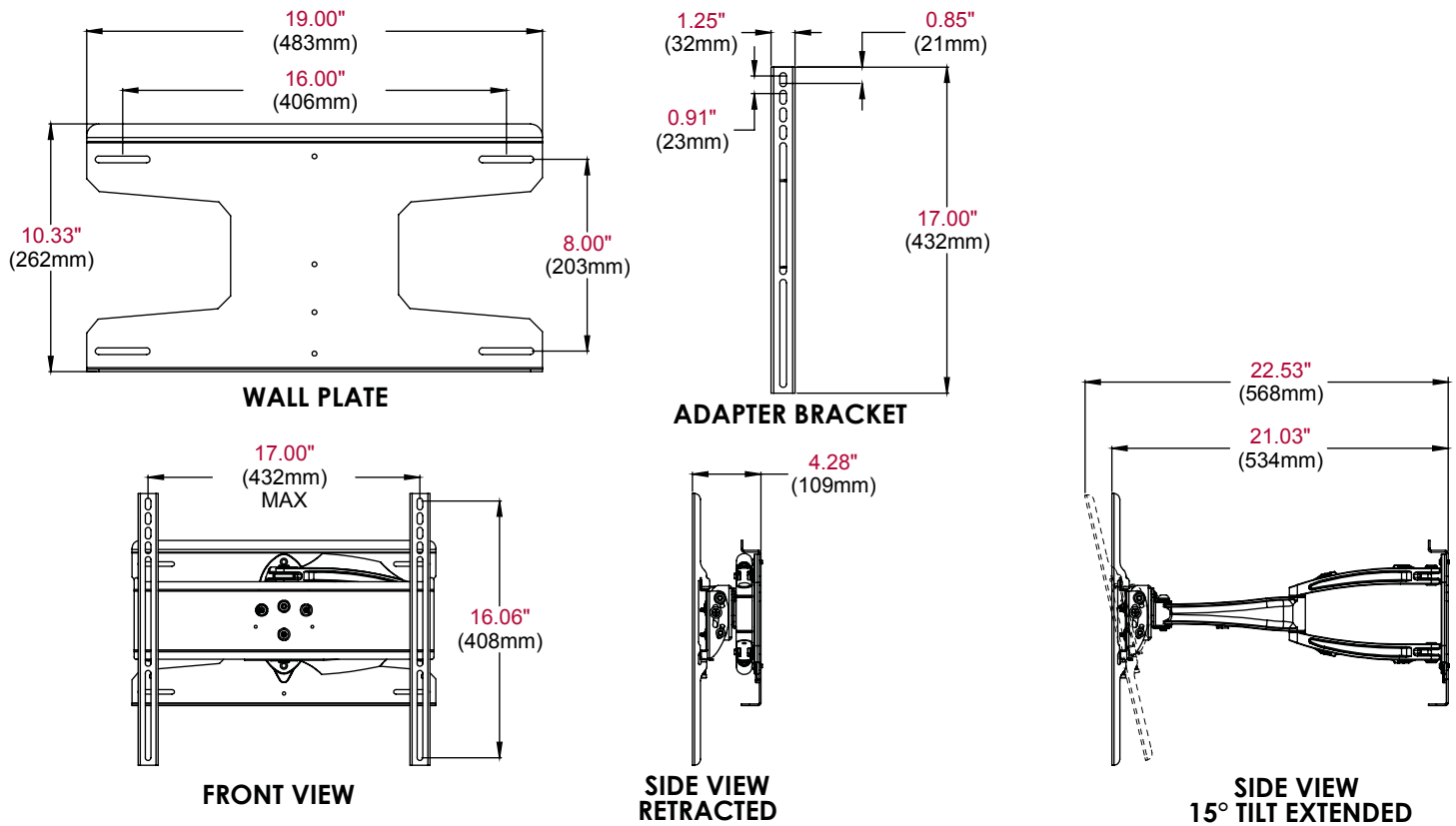
**Product Specifications**

	<b>DIMENSIONS (W x H x D)</b>	<b>PRODUCT WEIGHT</b>	<b>LOAD CAPACITY</b>	<b>FINISH</b>	<b>AVAILABLE COLORS</b>
<b>ESA746PU(-S)</b>	19.00" x 17.00" x 4.28"-21.03" (483 x 432 x 109-534mm)	10lb (4.5kg)	80lb (36kg)	Power coat	ESA746PU: Black ESA746PU-S: Stone Gray

**Package Specifications**

	<b>PACKAGE SIZE (W x H x D)</b>	<b>PACKAGE SHIP WEIGHT</b>	<b>PACKAGE UPC CODE</b>	<b>PACKAGE CONTENTS</b>	<b>UNITS IN PACKAGE</b>
<b>ESA746PU(-S)</b>	21" x 11.5" x 5" (533 x 292 x 127mm)	11lb (5kg)	ESA746PU: 735029276067 ESA746PU-S: 735029276074	Mount, Double Stud Wall Plate and Mounting Hardware	1

All dimensions = inch (mm)



**ARCHITECTS SPECIFICATIONS**

The Corrosion Resistant Articulating Mount shall be a Peerless-AV model ESA746PU and shall be located where indicated on the plans. Assembly and installation shall be done according to instructions provided by the manufacturer. Mount is finished with a textured black or ASA-70 gray powder outdoor protective paint