

Gefen

DVI 1500 Extender

EXT-DVI-1500HD

User Manual



www.gefen.com

1080P
PROGRESSIVE

GDTV

ASKING FOR ASSISTANCE

Technical Support:

Telephone (818) 772-9100
(800) 545-6900

Fax (818) 772-9120

Technical Support Hours:

8:00 AM to 5:00 PM Monday through Friday.

Write To:

Gefen Inc.
c/o Customer Service
20600 Nordhoff Street
Chatsworth, CA 91311

www.gefen.com
support@gefen.com

Notice

Gefen Inc. reserves the right to make changes in the hardware, packaging and any accompanying documentation without prior written notice.

DVI 1500 Extender is a trademark of Gefen Inc.

TABLE OF CONTENTS

1. Introduction / Operation Notes
2. Features
3. Sender Panel Descriptions
4. Receiver Panel Descriptions
5. Connecting and Operating the DVI 1500
6. Network Cable Wiring Diagram
7. Specifications
8. Warranty

INTRODUCTION

The Gefen DVI•1500 allows a single link video signal to be extended over long distances by using multimode LC-LC fiber optic cable. Fiber Optics technology allows the DVI•1500 to carry video signals over long distances that would not be possible with traditional CAT5 extension. The use of fiber optic cabling protects the video signal from electromagnetic interference (EMI) which can degrade the video signal.

How It Works

The DVI•1500S sender unit sits next to your computer, set-top box or DVD player source. Cables supplied with the DVI•1500 connect your DVI source to the send unit. The DVI•1500R receive unit sits next to your DVI display - up to 1640 feet (330 feet with HDCP) away. The display plugs into the back of the DVI•1500R receiver unit. One CAT-5 cable and a multi mode LC fiber optic cable (4 strand) connect the DVI•1500S and the DVI•1500R units to each other.

OPERATION NOTES

READ THESE NOTES BEFORE INSTALLING OR OPERATING THE DVI 1500

- 50 or 62.5 micron multi-mode fiber optic cable is required for operation of the DVI 1500.
- Maximum extension range of 330 feet (100 meters) when the source requires HDCP. One CAT-5, CAT-5e or CAT6 cable is used to transmit DDC and HDCP data back to the source.
- Maximum range of 1640 feet (500 meters) when the source does not require HDCP. This scenario does not require the CAT-5, CAT5e or CAT-6 cable if the source does not require DDC information. If DDC is required, the use of an EDID storage device (part# EXT-DVI-EDIDN, EXT-DVI-EDIDP) can be used to transmit DDC information back to the source.
- HDCP compliant
- Compatible with all DVI and HDMI* displays.

NOTE: *When used with a HDMI to DVI adapter

FEATURES

Features

- Extends any DVI (digital visual interface) compliant device up to 1640 feet/500 meters (330 feet with HDCP) from the computer
- Uses a four-strand multimode LC-LC fiber optic cable for video signals
- Uses one CAT-5 cable for DDC and control signals
- Eliminates computer noise where you work
- Supports resolutions up to 1080p, 2K, and 1920 x 1200
- Supports DDWG standard for DVI compliant monitors
- HDCP compliant

Includes:

- (1) DVI 1500S Sender unit
- (1) DVI 1500R Receiver unit
- (2) 5V DC Power Supply
- (1) 6 ft DVI cable (M-M)
- (1) User's Manual

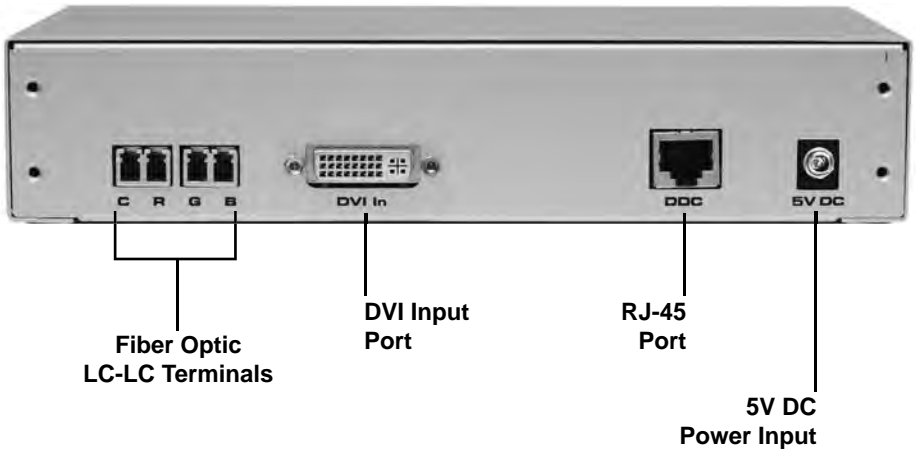


SENDER PANEL DESCRIPTIONS

Front Panel



Back Panel

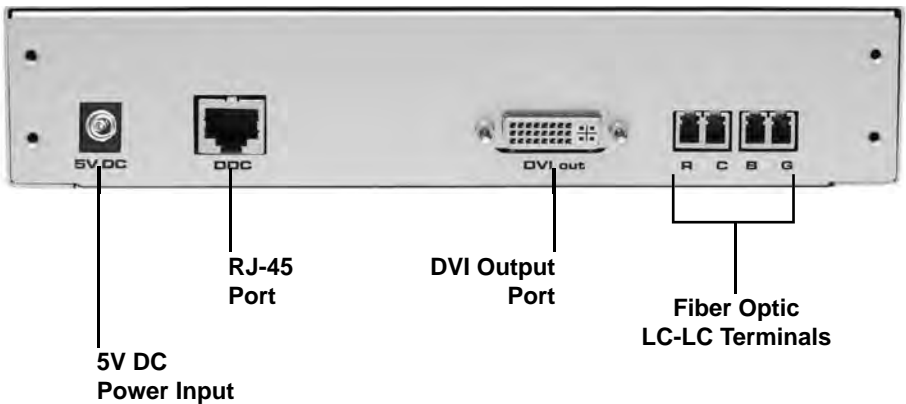


RECEIVER PANEL DESCRIPTIONS

Front Panel



Back Panel



CONNECTING AND OPERATING THE DVI 1500

How To Connect The DVI 1500

1. Connect the DVI source to the DVI 1500 sender unit using the supplied DVI cable.
2. Connect a user supplied CAT-5, CAT-5e or CAT-6 cable to the sender unit.
3. Connect four user supplied multi-mode LC terminated fiber optic cables into DVI 1500 sender unit.

NOTE: 50 or 62.5 micron multi-mode fiber optic cable is required for operation of the DVI 1500.

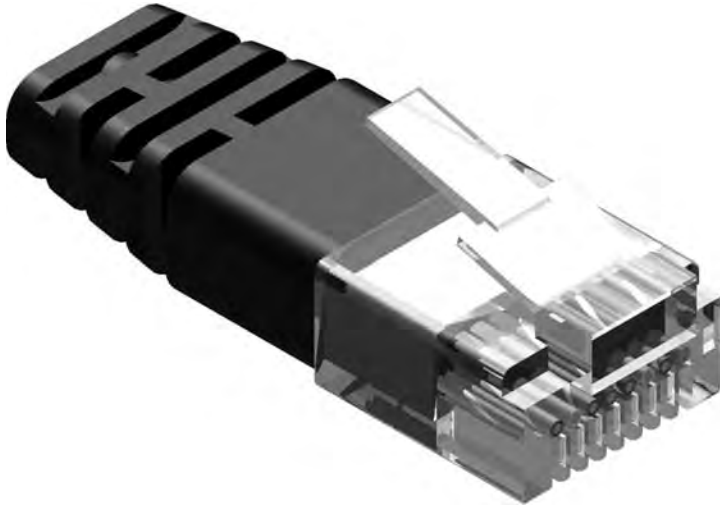
4. Connect the other end of the CAT-5, CAT-5e or CAT-6 cable into the DVI 1500 receiver unit.
5. Connect the other ends of all four multi-mode LC terminated fiber optic cables into the DVI 1500 receiver unit.

NOTE: Please take careful note of the labeling above each fiber optic port on both the sending and receiving DVI 1500 units. The most common user error is to mis-match the fiber optic cable connections on each end, which results in no video being transmitted.

6. Connect the display to the DVI 1500 receiver unit using a user supplied DVI cable.
7. Connect the included 5V DC power supplies into both the DVI 1500 sending and receiving units.
8. Power on the display, followed by the source.

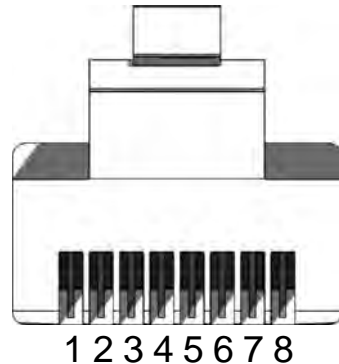
No further adjustments are necessary to operate the DVI 1500.

NETWORK CABLE WIRING DIAGRAM



Gefen has specifically engineered their products to work with the TIA/EIA-568-B specification. Please adhere to the table below when field terminating cable for use with Gefen products. Failure to do so may produce unexpected results and reduced performance.

Pin	Color
1	Orange / White
2	Orange
3	Green / White
4	Blue
5	Blue / White
6	Green
7	Brown / White
8	Brown



CAT-5, CAT-5e, and CAT-6 cabling comes in stranded and solid core types. Gefen recommends using solid core cabling. CAT-6 cable is also recommended for best results.

Each cable run must be one continuous run from one end to the other. No splices or use of punch down blocks.

SPECIFICATIONS

Video Amplifier Bandwidth	225 MHz maximum
Input Video Signal	1.2 Volts p-p
Input DDC Signal	5 Volts p-p (TTL)
Single Link Range	1080p, 2k, 1920 x 1200
DVI Connector	DVI-D (19 pin) female
Video Link Connector	LC
DDC Link Connector	RJ-45 Shielded
Power Supply	5V DC with locking connector
Power Consumption	36W watts x 2 (max)
Link Connectors	LC Fiber, Shielded RJ-45
Rack mountable	1U rack space
Dimensions	3.25"D x 4.25"W x 1"H
Shipping Weight	5 lbs.
Rack mountable	1U rack space

WARRANTY

Gefen warrants the equipment it manufactures to be free from defects in material and workmanship.

If equipment fails because of such defects and Gefen is notified within two (2) year from the date of shipment, Gefen will, at its option, repair or replace the equipment, provided that the equipment has not been subjected to mechanical, electrical, or other abuse or modifications. The two year warranty is only valid on new products purchased as of January 2007. All products purchased before this date still retain their 1 year warranty.

Equipment that fails under conditions other than those covered will be repaired at the current price of parts and labor in effect at the time of repair. Such repairs are warranted for ninety (90) days from the day of reshipment to the Buyer.

This warranty is in lieu of all other warranties expressed or implied, including without limitation, any implied warranty or merchantability or fitness for any particular purpose, all of which are expressly disclaimed.

1. Proof of sale may be required in order to claim warranty.
2. Customers outside the US are responsible for shipping charges to and from Gefen.
3. Copper cables are limited to a 30 day warranty and cables must be in their original condition.

The information in this manual has been carefully checked and is believed to be accurate. However, Gefen assumes no responsibility for any inaccuracies that may be contained in this manual. In no event will Gefen , be liable for direct, indirect, special, incidental, or consequential damages resulting from any defect or omission in this manual, even if advised of the possibility of such damages. The technical information contained herein regarding the DVI 1500 Extender features and specifications is subject to change without notice.



Rev X2

20600 Nordhoff St., Chatsworth CA 91311

1-800-545-6900 818-772-9100 fax: 818-772-9120

www.gefen.com support@gefen.com

