



The Atlas Sound Strategy Series® II assembly mounts easily into existing construction drop ceiling or drywall materials

FAP42T

Installation Instructions

ATS001131a RevD 2/04

Mounting Template
9" Dia.

Painting Shield
8½" Dia.

Drop Tile Ceiling Installation

1. Remove 2'x2' or 2'x4' tile.
2. Align adjustable dual rail & c-ring assembly on rear of tile in desired position.
3. Using template provided mark cutout circle with marker and cut hole. (9" FAP42T)
4. Affix C-ring assembly to rails using screws provided and position assembly on rear of ceiling tile. Replace tile into grid making sure that formed ends of tile bridge rails engage T-bar tile support rails.
5. Bring service loop from rear of tile, through tile bridge C-ring to access panel located on side of enclosure. Terminate the service loop to Phoenix style connector provided (please note polarity). Combination knockouts are provided to facilitate conduit.
6. Insert enclosure through front of tile. Using standard #2 Phillips screwdriver or screw-gun, tighten (4) dogleg assemblies until they engage C-ring assembly. **DO NOT OVER-TIGHTEN DOG LEG SCREWS!**
7. Adjust front mounted switch to desired wattage tap setting or 8Ω* (**See important note regarding 8Ω operation**)
8. Install press-fit grille into front bezel ring. Push baffle upwards until baffle is flush with bezel ring.
9. For safety and seismic considerations a suspension ring is integrated into input panel section of unit. Atlas Sound strongly suggests that a support wire be installed from this support point to a suitable anchor point above ceiling grid. In drop tile applications, this wire can usually be installed from an adjacent tile access near speaker location.

Dry Wall ("Hard Deck") Installation

1. Using template provided, mark cutout circle in desired mounting location and cut hole. (9" FAP42T)
2. Place tile bridge rails and C-ring through hole. Use V shaped edge of C-ring to align tile bridge assembly above ceiling (alignment screws provided are not required for this type of installation)
3. Bring service loop from through the tile bridge/C-ring to access panel located on side of the enclosure. Terminate service loop to Phoenix style connector provided (please note polarity). Combination knockouts are provided to facilitate conduit.
4. Insert enclosure into hole. Using standard #2 Phillips screwdriver or screw-gun, tighten (4) dogleg assemblies until they engage the C-ring assembly. **DO NOT OVER-TIGHTEN DOG LEG SCREWS!**
5. Adjust front mounted switch to desired wattage tap setting or 8Ω* (**See important note regarding 8Ω operation**)
6. Install press-fit grille into front bezel ring. Push baffle upwards until baffle is flush with bezel ring.

New Construction (Drywall Ceilings)

Use of optional FAP42-TR¹ (for use with FAP42T) new construction bracket essentially reserves speaker mounting location prior to drywall installation in new construction. Bracket mounts between 16" or 24" OC studs and includes a 3/8" downward lip to provide a template for drywall installers to cut around. For final installation, please follow instructions below.

Note: tile bridge components are not used in new construction applications where new construction bracket is utilized.

1. Bring service loop through hole in ceiling provided by pre construction bracket to access panel located on side of Enclosure. Terminate service loop to Phoenix style connector provided (please note polarity). Combination knockouts are provided to facilitate conduit.
2. Insert speaker assembly into hole. Using standard #2 Phillips screwdriver or screw-gun, tighten (4) dog leg assemblies until they engage ring provided on new construction bracket. **DO NOT OVER-TIGHTEN DOG LEG SCREWS!**
3. Adjust front mounted switch to desired wattage tap setting or 8Ω* (**See important note regarding 8Ω operation**)
4. Install press-fit grille into front bezel ring. Push baffle upwards until baffle is flush with bezel ring.

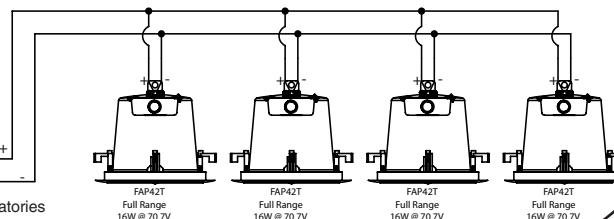
Typical Parallel Hookup of Full Range 70.7V/100V Speakers

Amplifier
Typical 120Watt 70.7V Output
Tap Wattage Total : 64 Watts

Input

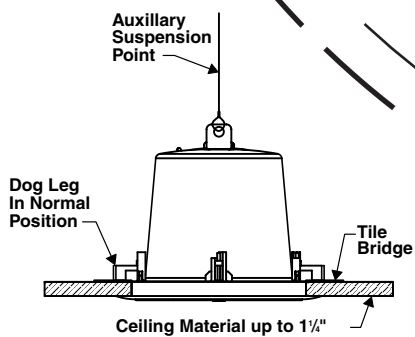
¹ FAP42-TR Has not been evaluated by UL Laboratories

NOTE: *DO NOT USE 8Ω SETTING WITH 70.7V/100V SYSTEMS! *DO NOT OVERPOWER IN 8Ω CONFIGURATION! AMPLIFIER OUTPUT SHOULD NOT EXCEED 16W RMS @ 8Ω PER SPEAKER



NOTE: Dog legs will accommodate ceiling material thickness up to 1 1/4" as shipped from factory. For thicker ceiling materials (up to 2") simply unscrew and flip dog legs as shown. **DO NOT OVER-TIGHTEN DOG LEGS IN EITHER CONFIGURATION!**

NOTE: UL recognized conduit clamp must be used for conduit connections. Cable connection cavity is not intended to be used as a junction box.



FREQUENCY RESPONSE: 70Hz-20kHz

SENSITIVITY: 88dB (1W/1M)

