

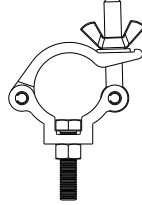
For installing the speaker using the "C" bracket follow these instructions:

- 1) Install the bracket (a) to the wall / ceiling / truss / floor.
- 2) Mount the two steering plates (b) on the top and bottom of the loudspeaker using the pin (e)(f).
- 3) Screw in the screws (c) into the pivot holes choosing between A or B pivot.
- 4) Aim the loudspeaker and tighten the screw (c) in the desired holes.

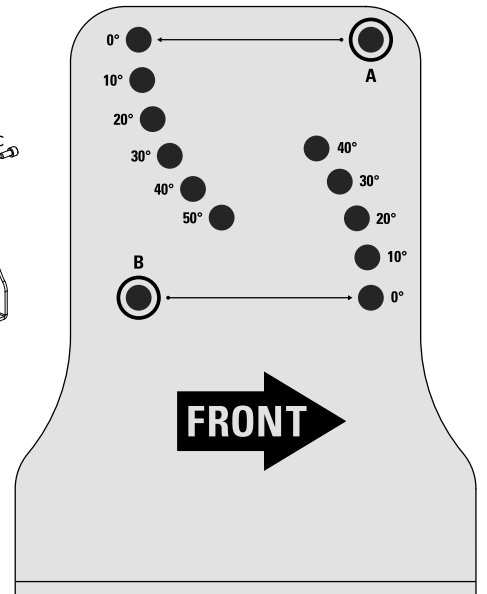
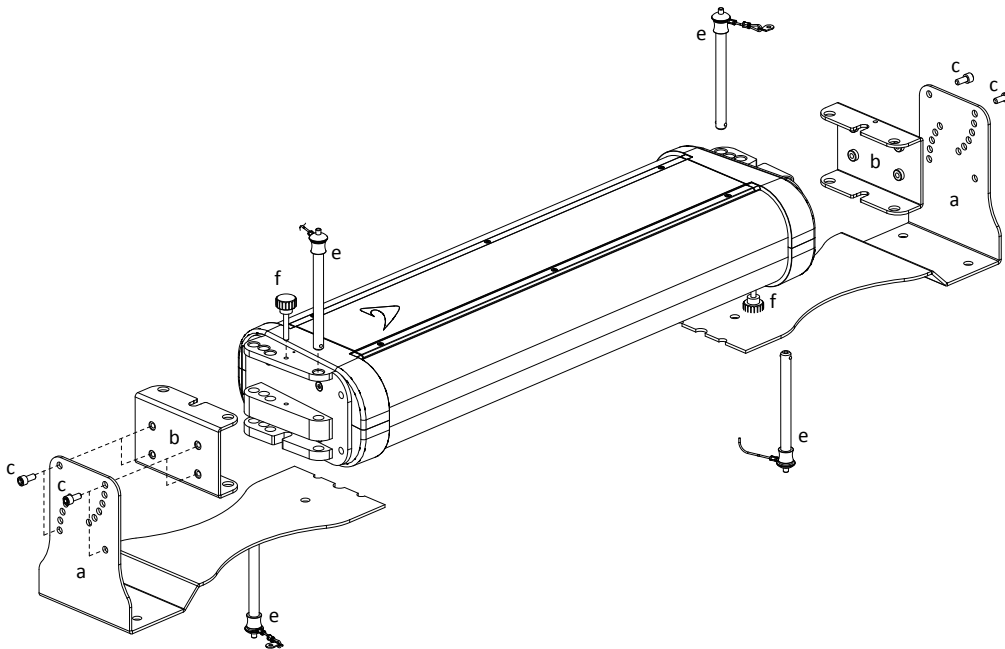
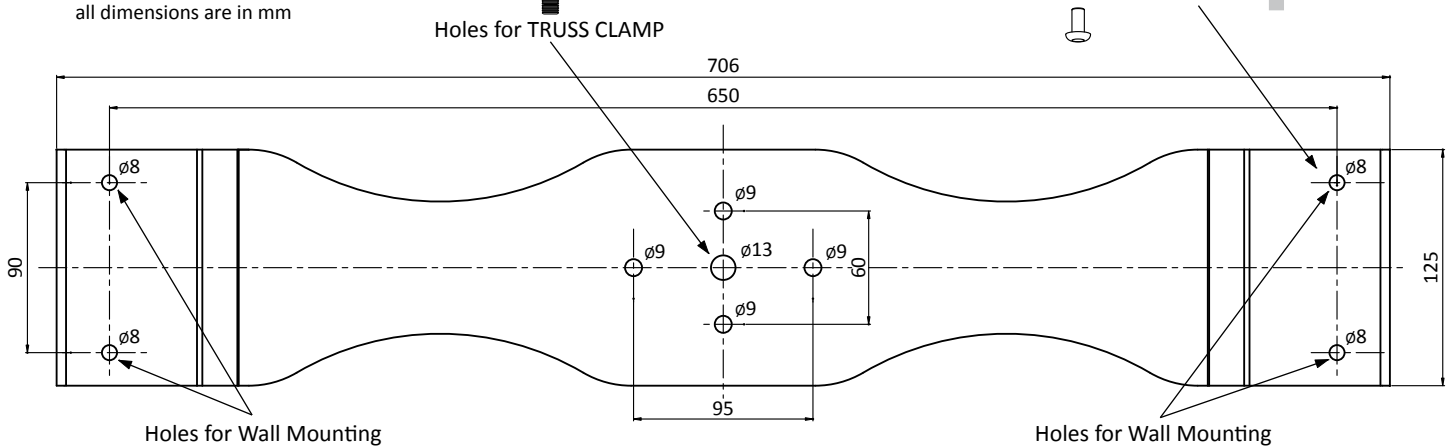
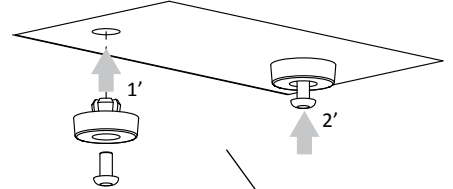
Supplied materials:

- 1x Bracket (a)
- 2x Steering plates with locking pin (b)
- 4x M6x14mm hex socket head screws (c)
- 4x M8x6mm fast insertion plastic foot (d)

M13 TRUSS CLAMP
PROEL CODE: PLH300
(OPTIONAL)



Note: when used as front fill on stage floor is possible to mount the supplied feet in the holes for wall fixing as shown.



Use two bottom or top holes on both steering plates to choose between a low profile B from 0 to 40 degrees aiming or a more flexible A from 0 to 50 degrees aiming. Note that for B aiming only bottom holes can be chosen.

⚠️ CONDITIONS OF USE

Proel does not accept any liability for damage caused to third parties due to improper installation, use of non-original spare parts, lack of maintenance, tampering or improper use of this product, including disregard of acceptable and applicable safety standards. Proel strongly recommends that this loudspeaker cabinet be suspended taking into consideration all current local regulations. The product must be installed by qualified personal. Please contact the manufacturer for further information.

⚠️ WARNINGS

- Use the bracket exclusively for AX6C model.
- This support is made for wall, ceiling and floor.
- For wall and ceiling mounting use exclusively adequate fixings to hold up at least ten times the total weight of the speaker (8.7Kg) plus the bracket (3.3Kg), in this case > 60Kg for each fixing point using all available 4 holes for double safety.
- Do not suspend speakers from plasterboard or dropped ceiling or any other light material.