

FPEPM-05
FPEPM-06
FPEPM-07
FPEPM-08

Indoor/Outdoor Tilting Pedestal Mount For Protective Enclosures (FPE42F(H), FPE47F(H) & FPE55F(H))

No wall? No ceiling? No problem! Peerless' Indoor/Outdoor Tilting Pedestal Mount provides an outstanding solution for placing screens where they truly stand out. Designed to work with Peerless Enclosures for combining optimal placement with maximum protection, these all-weather pedestal mounts perform exceptionally indoors or out. Engineered to withstand the harshest outdoor conditions, they are constructed from corrosion resistant materials, e-coat primer and come with stainless steel hardware. No detail was left out of this pedestal mount, it provides incremental tilt to set the perfect viewing angle and a simplified hook-and-hang set up. Whether it's used indoors or outdoors, for entertainment or digital signage, it's one pedestal mount that stands strong.



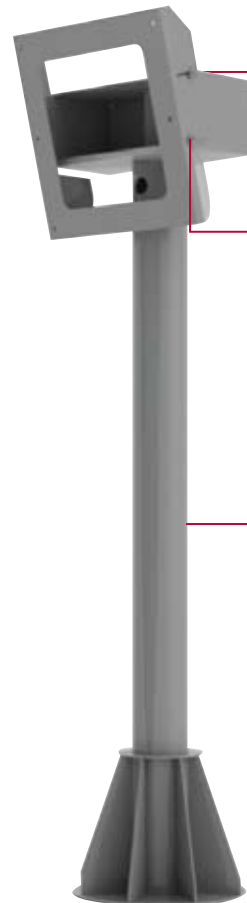
Screen size: 40"-55"



Max load: 400lb (181kg)

FEATURES

- For indoor or outdoor use
- Constructed from corrosion resistant materials, coated with a special e-coat and comes with stainless steel hardware to endure the harshest environments
- Incremental tilt settings from 0° to 15° to find the perfect viewing angle
- Available in 5 to 8 foot pole lengths for varied heights requirements
- Lock-in-place swivel makes it easy to set the perfect viewing angle without having to adjust the pedestal base



■ **VIEWING ANGLE FLEXIBILITY**
Incremental tilt settings enable the best viewing angle

■ **SIMPLE SET-UP**
Hook-and-hang design helps attach enclosure to mount and hold the weight load while fine tuning adjustments

■ **DISPLAY HEIGHT OPTIONS**
Four pole length options available for varied display height needs



For use with Peerless Protective Enclosures, sold separately



RoHS
2002/95/EC

MADE IN
USA

Model Numbers

| | |
|------------------|--|
| FPEPM-05: | 5ft. Indoor/Outdoor Tilting Pedestal Mount for Protective Enclosures (FPE42(H)-S, FPE47(H)-S & FPE55(H)-S) |
| FPEPM-06: | 6ft. Indoor/Outdoor Tilting Pedestal Mount for Protective Enclosures (FPE42(H)-S, FPE47(H)-S & FPE55(H)-S) |
| FPEPM-07: | 7ft. Indoor/Outdoor Tilting Pedestal Mount for Protective Enclosures (FPE42(H)-S, FPE47(H)-S & FPE55(H)-S) |
| FPEPM-08: | 8ft. Indoor/Outdoor Tilting Pedestal Mount for Protective Enclosures (FPE42(H)-S, FPE47(H)-S & FPE55(H)-S) |

Product Specifications

| | DIMENSIONS (W x H x D) | | PRODUCT WEIGHT | LOAD CAPACITY | FINISH | AVAILABLE COLORS |
|-----------------|------------------------|----------------------|----------------|---------------|----------------------------|------------------|
| FPEPM-05 | 18.79" x 75.95" x 15" | (477 x 1929 x 381mm) | 136lb (61kg) | 400lb (181kg) | Outdoor gloss powder paint | Stone gray |
| FPEPM-06 | 18.79" x 87.95" x 15" | (477 x 2233 x 381mm) | 146lb (66kg) | | | |
| FPEPM-07 | 18.79" x 99.95" x 15" | (477 x 2538 x 381mm) | 155lb (70kg) | | | |
| FPEPM-08 | 18.79" x 111.95" x 15" | (477 x 2843 x 381mm) | 165lb (74kg) | | | |

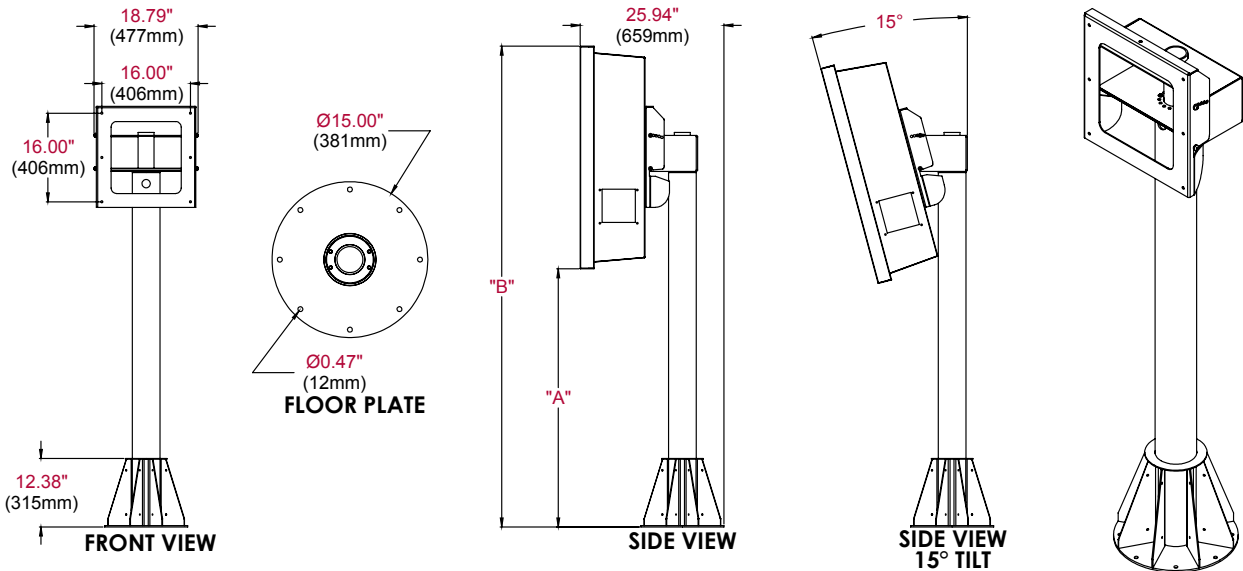
Package Specifications

| | PACKAGE SIZE (W x H x D) | PACKAGE SHIP WEIGHT | PACKAGE UPC CODE | PACKAGE CONTENTS | UNITS IN PACKAGE |
|-----------------|---|---------------------|------------------|--------------------------------------|------------------|
| FPEPM-05 | Box 1: 24" x 20" x 11" (610 x 508 x 279mm) Box 2: 65" x 18" x 16" (1651 x 457 x 406mm) | 138lb (62kg) | 735029275022 | Pedestal mount and mounting hardware | 1 |
| FPEPM-06 | Box 1: 24" x 20" x 11" (610 x 508 x 279mm) Box 2: 65" x 18" x 16" (1651 x 457 x 406mm) | 148lb (67kg) | 735029275039 | | |
| FPEPM-07 | Box 1: 24" x 20" x 11" (610 x 508 x 279mm) Box 2: 77" x 18" x 16" (1955 x 457 x 406mm) | 158lb (71kg) | 735029275046 | | |
| FPEPM-08 | Box 1: 24" x 20" x 11" (610 x 508 x 279mm) Box 2: 89" x 18" x 16" (2260 x 457 x 406mm) | 168lb (76kg) | 735029275053 | | |

Accessories

| | |
|-------------------|---|
| FPE42F-S: | Indoor/Outdoor Protective Enclosure with Cooling Fans for 40"-42" Flat Panel Screens |
| FPE47F-S: | Indoor/Outdoor Protective Enclosure with Cooling Fans for 46"-47" Flat Panel Screens |
| FPE55F-S: | Indoor/Outdoor Protective Enclosure with Cooling Fans for 52"-55" Flat Panel Screens |
| FPE42FH-S: | Indoor/Outdoor Protective Enclosure with Cooling Fans and Thermostat Controlled Heater for 40"-42" Flat Panel Screens |
| FPE47FH-S: | Indoor/Outdoor Protective Enclosure with Cooling Fans and Thermostat Controlled Heater for 46"-47" Flat Panel Screens |
| FPE55FH-S: | Indoor/Outdoor Protective Enclosure with Cooling Fans and Thermostat Controlled Heater for 52"-55" Flat Panel Screens |

All dimensions = inch (mm)



| | FPEPM-05 | FPEPM-06 | FPEPM-07 | FPEPM-08 |
|----------------------------|--|--|---|---|
| FPE42F-S, FPE42FH-S | "A" = 49.83" (1266mm) "B" = 83.63" (2124mm) | "A" = 61.83" (1570mm) "B" = 95.63" (2429mm) | "A" = 73.83" (1875mm) "B" = 107.63" (2734mm) | "A" = 85.83" (2180mm) "B" = 119.63" (3039mm) |
| FPE47F-S, FPE47FH-S | "A" = 48.61" (1235mm) "B" = 84.86" (2155mm) | "A" = 60.61" (1539mm) "B" = 96.86" (2460mm) | "A" = 72.61" (1844mm) "B" = 108.86" (2765mm) | "A" = 84.61" (2149mm) "B" = 120.86" (3070mm) |
| FPE55F-S, FPE55FH-S | "A" = 46.64" (1185mm) "B" = 86.82" (2205mm) | "A" = 58.64" (1489mm) "B" = 98.82" (2510mm) | "A" = 70.64" (1794mm) "B" = 110.82" (2815mm) | "A" = 82.64" (2099mm) "B" = 122.82" (3120mm) |

ARCHITECTS SPECIFICATIONS

The Indoor/Outdoor Tilting Pedestal Mount shall be a Peerless model number FPEPM and located where indicated on the plans. Assembly and installation shall be done according to instructions provided by the manufacturer. Mount is made of heavy gauge cold rolled steel. Mount is finished with a glossy ASA-70 gray protective paint.

Peerless Industries, Inc. ■ 2300 White Oak Circle ■ Aurora, IL 60502 ■ (800) 865-2112 ■ (708) 865-8870 ■ Fax: (708) 865-2941 ■ www.peerlessmounts.com