

FPZ670

Flat Panel Display Stand

For up to 90" Displays

The Peerless-AV® FPZ-670 display stand is designed to support up to two 90" displays mounted back-to-back in either landscape or portrait orientation. The attractive, yet robust and functional, stand is ideal for a wide variety of applications and settings from boardrooms, training rooms and lobbies to classrooms, auditoriums or exhibition halls. Its appearance is complemented by a sturdy base with a concealed compartment to house media players and surge protectors while its internal cable management system conceals cables and cords, delivering a clean look for any application.



Display size: up to 90"



Max load: 400lb (181.4kg) total
200lb (90.7kg) per display
up to two displays

FEATURES

- Fits single or back-to-back mounted displays up to 90"
- VESA® 200 x 200mm compatible. Additional display mounting patterns supported by optional PLP display adaptor plate (sold separately)
- Enclosure built into base is designed to conceal and protect media players
- Continuous vertical adjustment on 6' (1.83m) columns for perfect viewing height
- Hook-on design for quick and simple installation
- Integrated cable management protects, contains and conceals cables for a clean, professional installation
- Portrait or landscape orientation

SINGLE OR BACK-TO-BACK

Multiple configurations for displays up to 90"

INTEGRATED CABLE MANAGEMENT

Protects, contains and conceals cables for a clean, professional installation



HEIGHT ADJUSTMENT

Ideal display position along the 6' (1.83m) columns

MEDIA PLAYER STORAGE

Designed to conceal media player and surge protectors



cUL US
Pending

RoHS
RECYCLED

MADE IN
USA

CLICK: peerless-av.com

CALL: 800.865.2112

FAX: 800.359.6500

peerless-AV®

| | |
|---------------|---|
| FPZ670 | Flat Panel Display Stand for up to 90" Displays |
|---------------|---|

Product Specifications

| | DIMENSIONS (W x H x D) | PRODUCT WEIGHT | LOAD CAPACITY | FINISH | AVAILABLE COLORS |
|---------------|---|-----------------------|--|---------------|-------------------------|
| FPZ670 | 39.94" x 72.33" x 48" (1015 x 1837 x 1219mm) | 194.4lb (88.1kg) | 400lb (181.4kg) total 200lb (90.7kg) per display up to two displays | Powder Coat | Black |

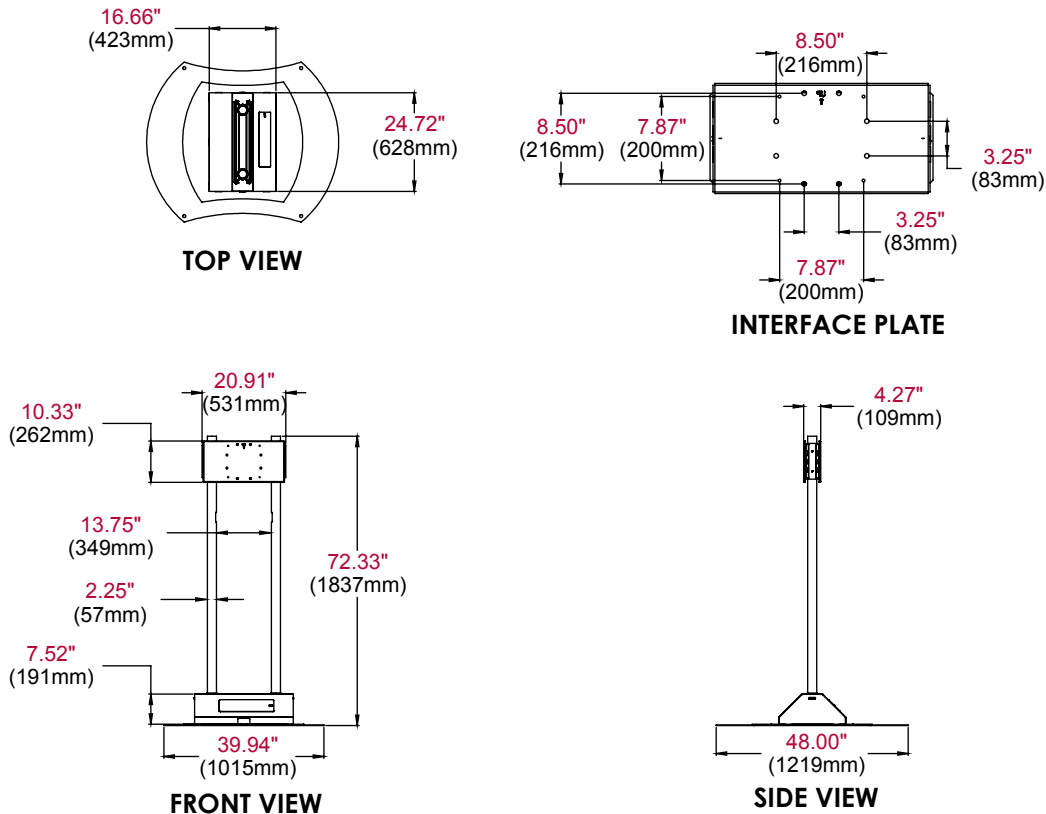
Package Specifications

| | PACKAGE SIZE (W x H x D) | PACKAGE SHIP WEIGHT | PACKAGE UPC CODE | PACKAGE CONTENTS | UNITS IN PACKAGE |
|---------------|---|--|-------------------------|--|-------------------------|
| FPZ670 | Box 1: 50" x 8.75" x 41.625" (1270 x 222 x 1057mm) Box 2 & 3: 72" x 4" x 4" (1830 x 101 x 101mm) | Box 1: 167.5lb (76.1kg) Box 2 & 3: 17.6lb (7.9kg) | 735029257844 | Base, base cover, 2 columns, VESA® 200 x 200mm adaptor plates & mounting hardware | 1 |

Accessories

| | |
|-----------------|-------------------------|
| PLP-UNL: | Universal Adaptor Plate |
| MIS735: | Dual-Display Cartridge |

All dimensions = inch (mm)



ARCHITECTS SPECIFICATIONS

The Floor Cart shall be a Peerless-AV model FPZ670 and shall be installed where indicated on the plans. It shall be constructed of heavy gauge cold rolled steel. Assembly and installation shall be done according to instructions provided by the manufacturer.

Peerless Industries, Inc. ■ 2300 White Oak Circle ■ Aurora, IL 60502 ■ (800) 865-2112 ■ (630) 375-5100 ■ Fax: (800) 359-6500 ■ peerless-av.com

Visit www.peerless-av.com to see the complete line of AV solutions from Peerless-AV, including flat panel mounts, projector mounts, carts/stands, furniture, cables, screen cleaners and a full assortment of accessories.