



## Galil 8-C

8-Inch, 2-Way Closed-Back Ceiling  
Speakers

| Speakers



The Galil 8-C Closed-back Ceiling Speaker features a multi-tap power transformer for selecting 8Ω (bypassing the transformer) or 70V/100V power settings that are suitable for an array installation

### FEATURES

Type - 2-way coaxial speaker

Woofers - 8" polypropylene cone

Tweeter - 1" silk dome

Impedance - 8Ω

Power Handling - 64W RMS, 180W continuous program

Transformer Taps - 70V: 64W/32W/16W/8W/4W/Off (Lo-Z); 100V: 64W/32W/16W/8W/Off (Lo-Z)

UL 1480 & 2043 Listed

Package Includes - 2 speakers (1 pair), ceiling mounting kit, template and user manual

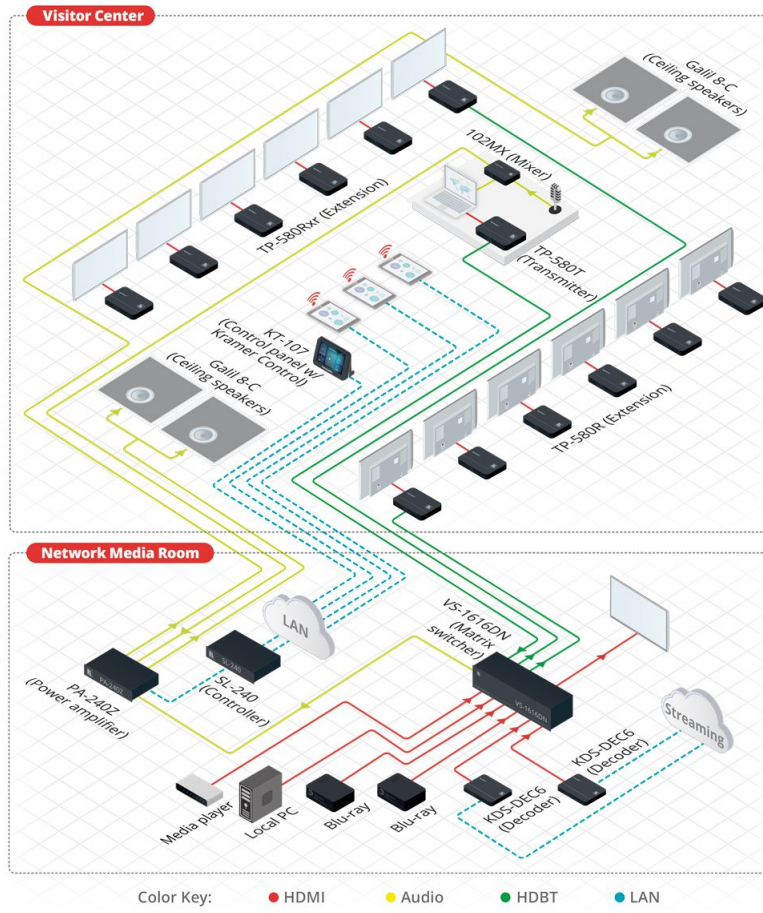


# KRAMER

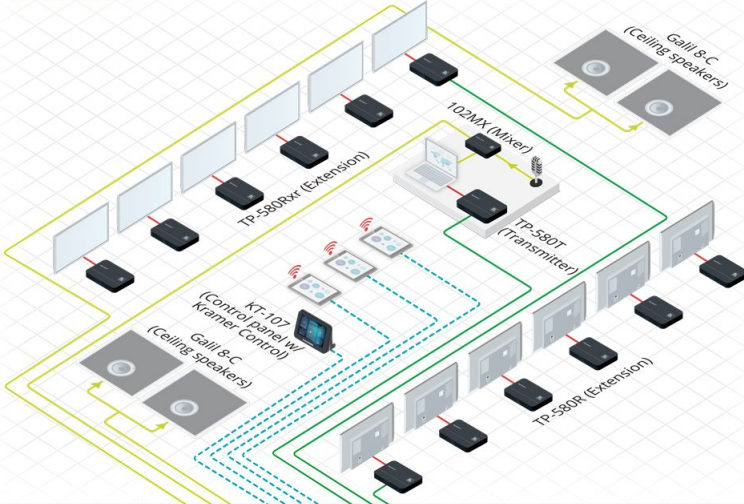
## TECHNICAL SPECIFICATIONS

---

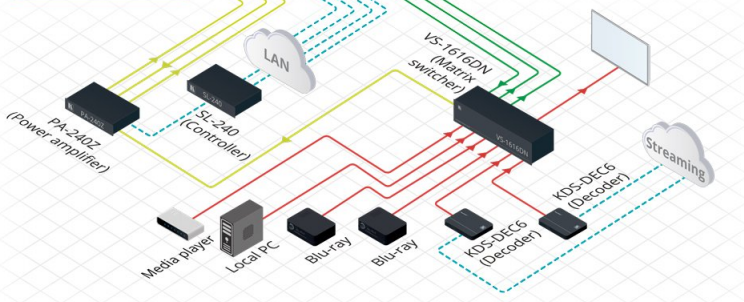
DESCRIPTION:	2-way closed-back ceiling speakers
FREQUENCY RESPONSE:	65Hz to 20kHz @-10dB, 85Hz to 20kHz @±3dB
WOOFER:	8" (200mm) polypropylene with rubber surround
TWEETER:	1" (25.4mm) silk dome
IMPEDANCE:	8Ω (transformer tap in off position)
TRANSFORMER TAPS:	70V – 64W/32W/16W/8W/4W/Off (Lo-Z), 100V – 64W/32W/16W/8W/Off (Lo-Z)
SENSITIVITY:	89dB SPL, 1W@1m
MAX SPL:	Continuous: 104dB, peak: 107dB
POWER HANDLING:	64W RMS, 180W continuous program
CROSSOVER FREQUENCY:	6.3kHz
COVERAGE ANGLE:	110°
DIRECTIVITY FACTOR (Q):	4.6 averaged 1kHz to 10kHz
DIRECTIVITY INDEX (DI):	6.5dB averaged 1kHz to 10kHz
INPUT CONNECTOR:	Terminal block
MATERIALS:	ABS bezel, aluminum grill, metal back can
OPERATING TEMPERATURE:	0° to +40°C (32° to 104°F)
STORAGE TEMPERATURE:	-40° to +70°C (-40° to 158°F)
HUMIDITY:	10% to 90%, RHL non-condensing
WEIGHT PER SINGLE SPEAKER:	4.9kg (10.8lbs) approx
SHIPPING WEIGHT (FOR PAIR):	13.6kg (30lbs) approx
INSTALLATION CLEARANCE:	Mounting depth: 22.6cm (8.9")
CUTOUT DIAMETER	27.3cm (10.75")
ACCESSORIES:	Installation bracket, safety cord attached to grill, ceiling mounting kit
COLOR:	White



**Visitor Center**



**Network Media Room**



Color Key: ● HDMI ● Audio ● HDBT ● LAN