

HP432-WST

# Desktop Swivel Mount

For select 32" & 42" Westinghouse TV models  
VESA® 75/100 mm compliant

The Flat Panel Desktop Swivel Mount offers a secure, functional and sleek mounting solution for use with Westinghouse's P3250HR (32") and VM42F1405 (42") flat panel TVs in hospitality applications. This secure mounting solution features a unique adapter plate that is VESA® 75 and 100 mm compliant and comes with security screws to deter tampering and theft. Offering a unique Desktop experience with its ability to swivel from 0 to 360, making it a versatile desktop mount for any room configuration. Completing this mount is an internal cable management system and a decorative base that delivers a stylish, clean and clutter-free installation.



## FEATURES

- Built-in swivel up to 360° allows for optimum viewing angle
- Free standing base bolts down for safety and security
- Adjustable height allows for greater flexibility
- Cable management internally through the mount and down through the mounting surface
- Decorative base is aesthetically pleasing and hides desktop mounting hardware
- Dual mounting-hole adapter plate provides eight connection points for VESA® 75/100 mm mounting holes
- Security screws prevent tampering and theft



TV size: 32" & 42"



Max load: 150 lb (68 kg)



■ **CLEAN APPLICATION**  
Internal cable management delivers a clean, clutter-free side profile

■ **ADJUSTABLE HEIGHTS**  
Easy vertical adjustment to accommodate various height requirements

■ **OPTIMUM VIEWING ANGLE**  
Offers up to 360° of swivel for flexible TV positioning, with swivel stops available at 40°, 60°, 120°, 180°, 210° and 240°

■ **SLOPE NUTS AND SECURITY SCREWS**  
Prevent tampering or theft with unique sloped nuts at the base and security screws on the adapter plate



swivel stops



slope nuts security  
(shown without desktop surface)



<b>HP432-WST</b>	For Westinghouse models P3250HR (32") and VM42F1405 (42")
------------------	---

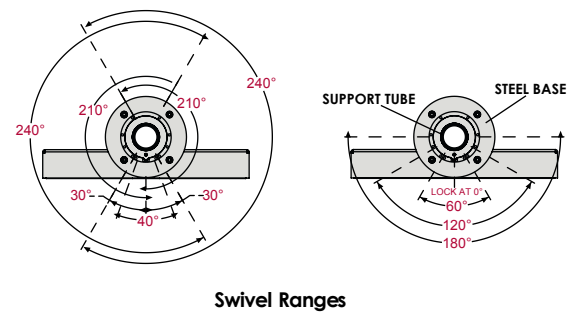
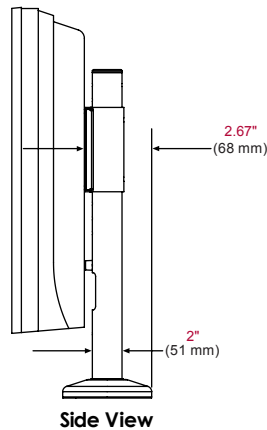
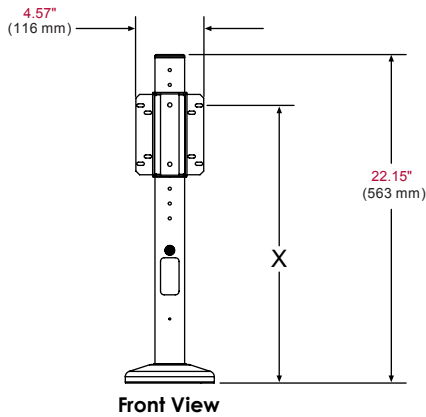
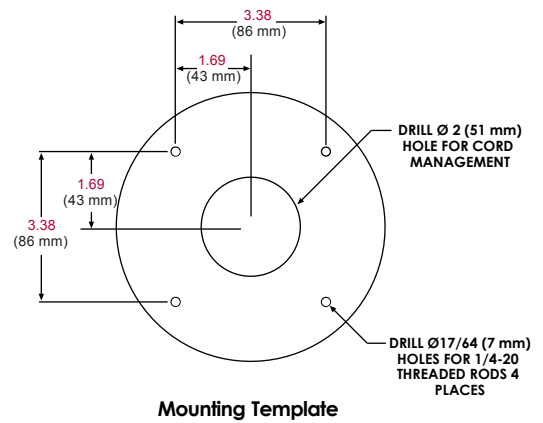
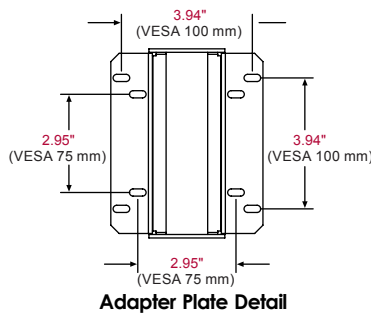
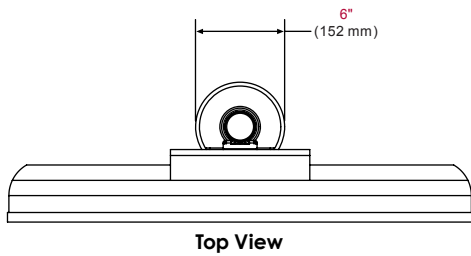
Product Specifications

	<b>DIMENSIONS (W x H x D)</b>	<b>PRODUCT WEIGHT</b>	<b>LOAD CAPACITY</b>	<b>FINISH</b>	<b>AVAILABLE COLORS</b>
<b>HP432-WST</b>	6" x 22.15" x 6" (152.4 x 562.61 x 152.4 mm)	12.4 lb (5.6 kg)	150 lb (68 kg)	Scratch resistant fused epoxy	Black

Package Specifications

	<b>PACKAGE SIZE (L x W x H)</b>	<b>PACKAGE SHIP WEIGHT</b>	<b>PACKAGE UPC CODE</b>	<b>PACKAGE CONTENTS</b>	<b>UNITS IN PACKAGE</b>
<b>HP432-WST</b>	22.5" x 10.5" x 6.5" (571.5 x 266.7 x 165.1)	14.02 lb (6.4 kg)	735029261056	Support tube, base backer plate, desktop swivel base, adapter plate, fastener packet	1

All dimensions = inch (mm)



Screen Height Adjustment		
RANGE	MINIMUM	MAXIMUM
X	15.07" (383 mm)	21.07" (535 mm)

**ARCHITECTS SPECIFICATIONS**

The Desktop Swivel Mount shall be Peerless models HP432-WST and shall be located where indicated on the plans. It shall be constructed of heavy gauge cold rolled steel and finished with scratch resistant Black Fused Epoxy. Assembly and installation shall be done according to instructions provided by the manufacturer.