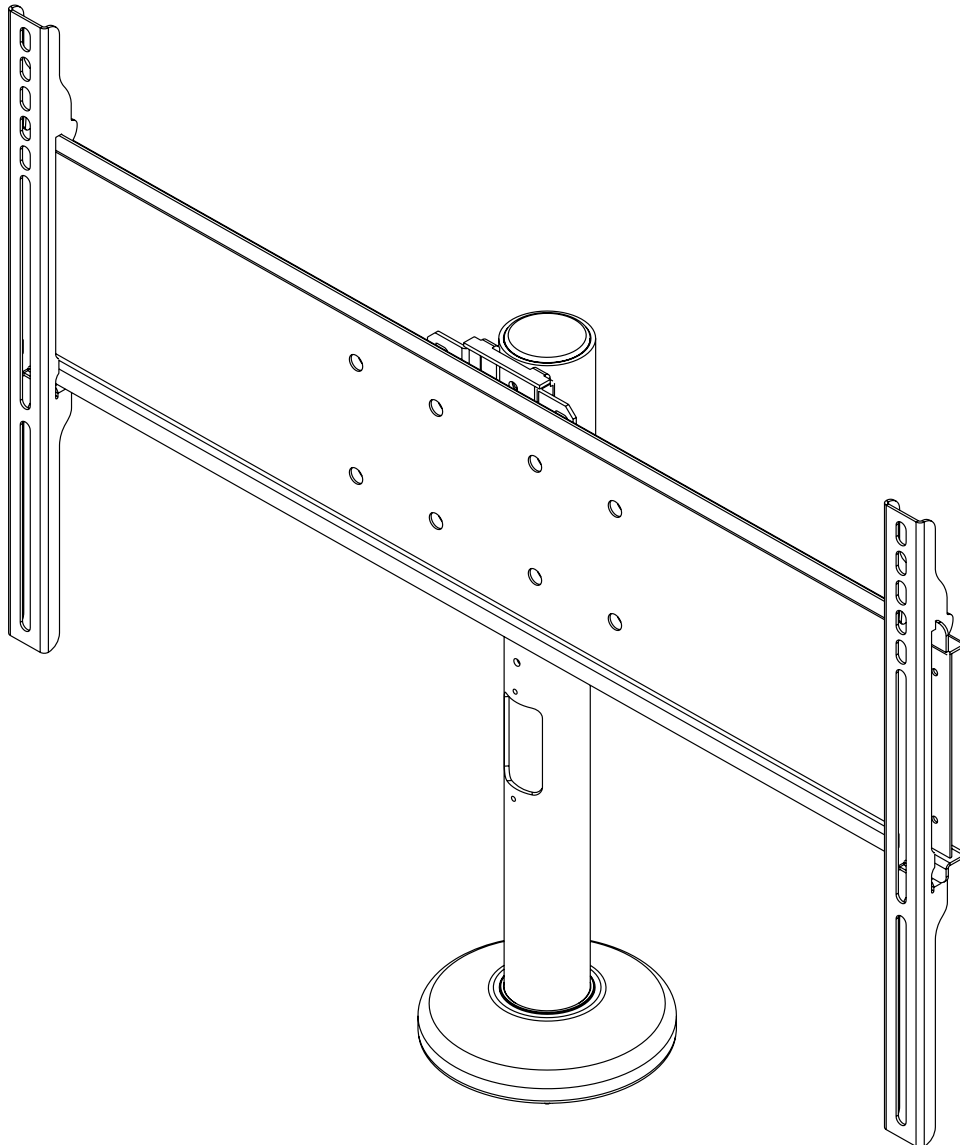




Installation and Assembly: Universal Flat Panel Desktop Swivel

Models: HP450, HP450-S



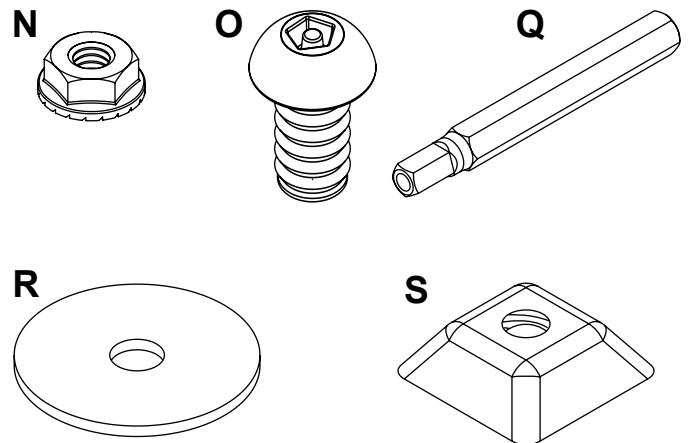
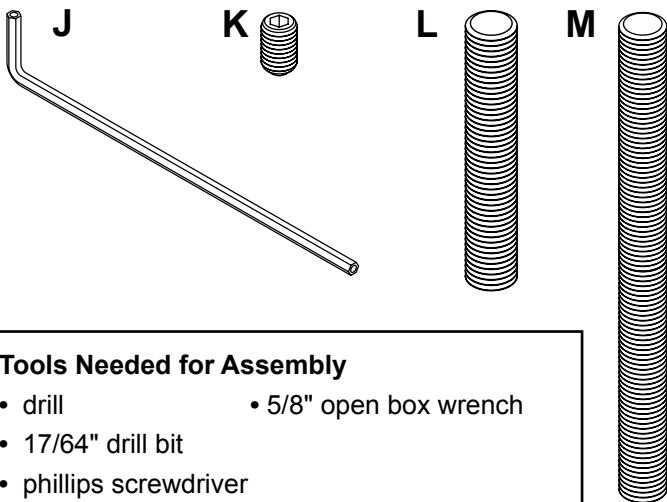
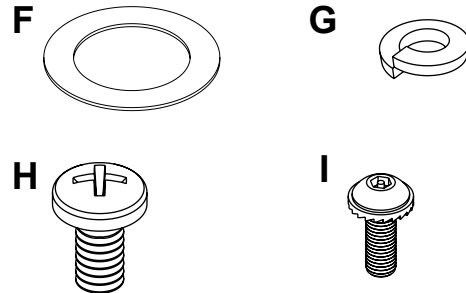
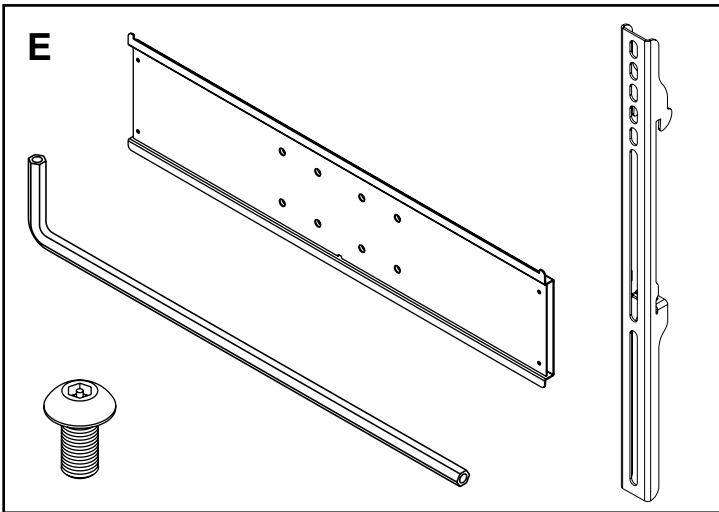
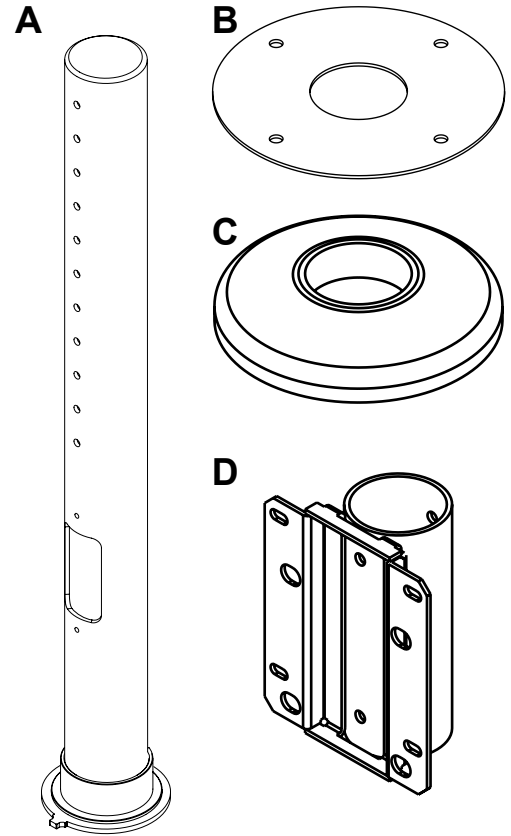
Max Load Capacity: 150 lb (68 kg)

NOTE: Read instruction sheet before you start installation and assembly.

Before you begin, make sure all parts shown are included with your product.

Parts List

Description	Qty.	Black Part #	Silver Part #
A support tube	1	090-1783-1	090-4783-1
B base backer plate	1	090-1544	090-4544
C desktop swivel base	1	090-1821	090-4821
D adapter plate	1	090-1552	090-4552
E universal adapter plate	1	PLP-UNL	PLP-UNL-S
F thrust washer	1	590-1287	590-1287
G split washers	2	540-9402	540-9402
H 1/4-20 x 1/2" phillips screw	2	510-9108	520-9511
I M4 x 12 mm serrated washer head socket pin screw	4	510-1079	510-2079
J 4 mm allen wrench	1	560-9646	560-9646
K 10-32 x 1/2" set screw	2	520-1614	520-1614
L 1/4-20 x 1.5" threaded rod	4	520-2250	520-2250
M 1/4-20 x 3" threaded rod	4	520-2585	520-2585
N 1/4-20 lock nut	4	530-1021	530-2021
O M10 x 15 mm penta-pin screw	4	520-9263	520-2176
P loc-tite 271 thread lock adhesive (not shown)	1	570-0040	570-0040
Q penta-pin driver	1	520-9260	520-9260
R fender washer	4	540-1008	540-1008
S slope nuts	3	530-0035	530-0035

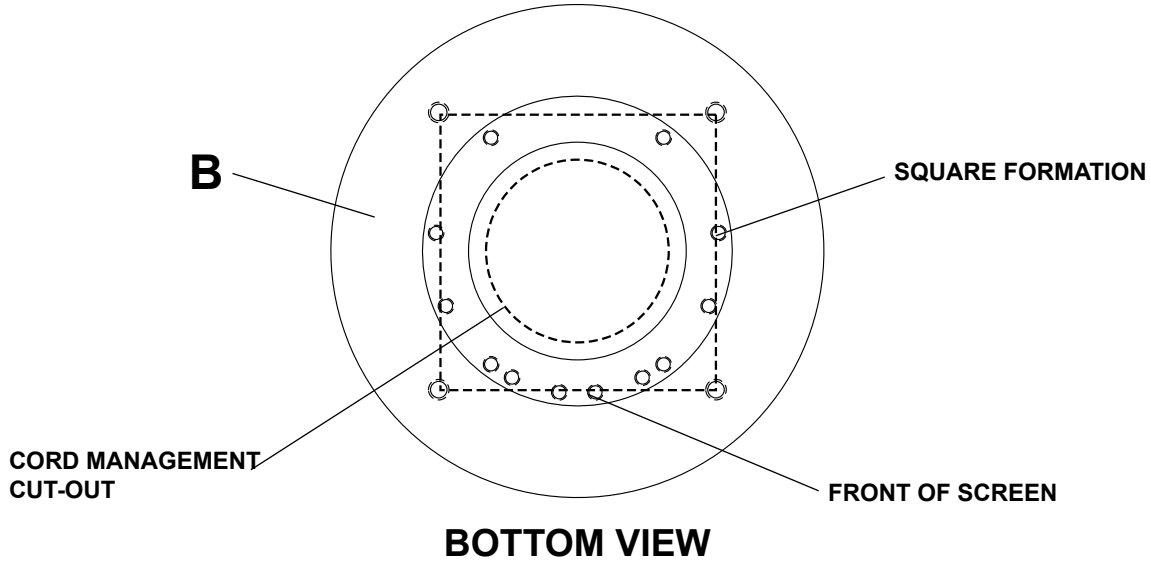


Tools Needed for Assembly

- drill
- 17/64" drill bit
- phillips screwdriver
- 3/32" allen wrench
- 5/8" open box wrench

NOTE: Some parts may appear slightly different than illustrated.

- 1 Use base backer plate (B) as a template to mark location of holes. Drill four holes using a 17/64" drill bit in a square formation. In the center of the square formation drill 2" to 3" cord management hole.



⚠ WARNING

- Wooden mounting surface requires a minimum of 3/4" thickness to hold screen securely

- 2 If the desk thickness is 3/4" use 1/4-20 x 1.5" threaded rods (L). If the desk thickness is between 3/4" to 2-1/4" use 1/4-20 x 3" threaded rods (M). Turn base (C) upside down and insert four threaded rods (L or M) into base (C), as shown in figure 2.1.

NOTE: Threaded rods must fasten a minimum of three turns.

NOTE: If enhanced security is desired, use three drops of loc-tite 271 thread lock adhesive (P) along 1/4" at the end of each threaded rod. Insert adhesive end of threaded rods (L or M) into bottom of base (C).

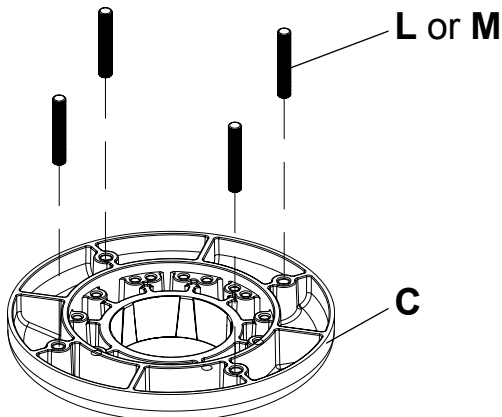


fig. 2.1

- 3 Turn base (C) upside down insert support tube (A), and thrust washer (F) as shown below.

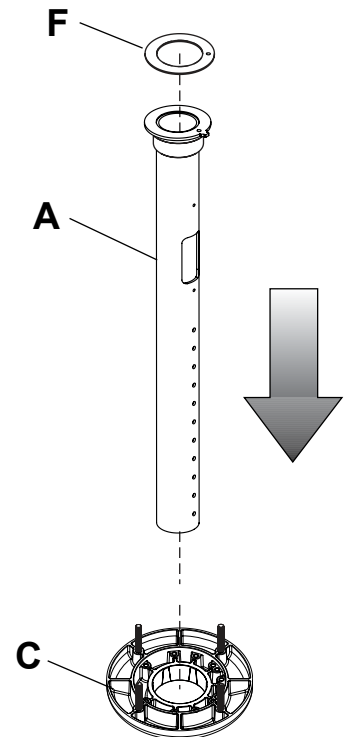


fig. 3.1

Swivel Restriction

- 4** Refer to fig. 4.1 and 4.2, select the desired swivel degree. Using a 3/32" allen wrench, fasten two set screws (**K**) where indicated below to the outside of desired angle in steel base (**C**).

NOTE: Set screws (**K**) must be bottomed out into base.

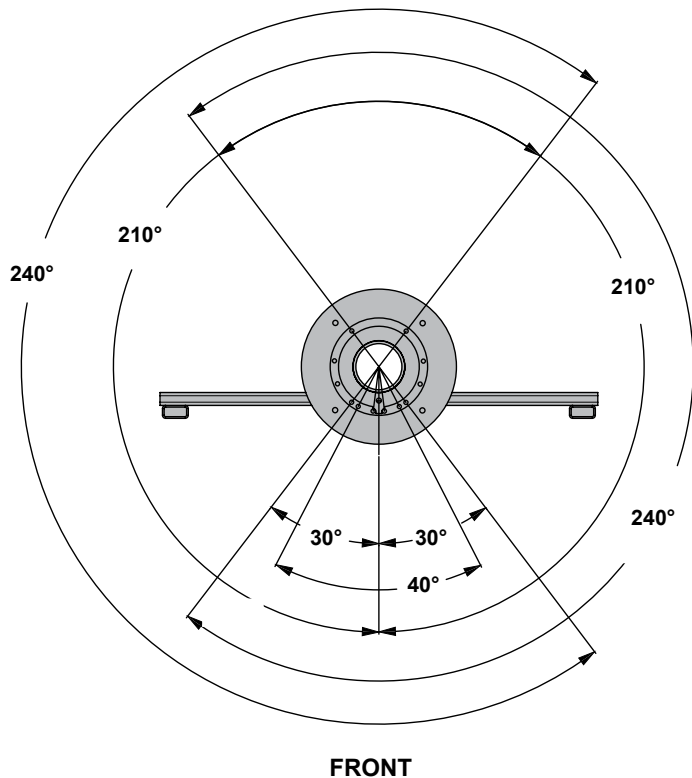


fig. 4.1

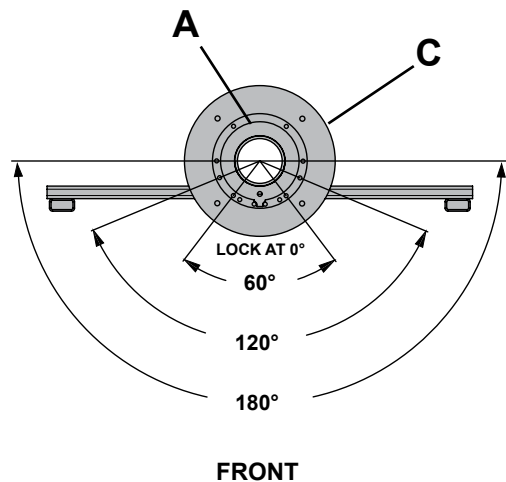


fig. 4.2

Mounting to Support Surface

⚠ WARNING

- Make sure that the supporting surface will safely support the combined load of the equipment and all attached hardware and components

CAUTION

- Installations to desktops that have a gap between two supporting boards are not acceptable mounting surfaces for the HP line of desktop swivel mounts.

Mounting using Non-Security.....Step 5 Page 5

Mounting using Security Slop Nuts (Optional)Step 7 Page 5

Mounting using Non-Security

- 5** Align backer plate (B) with threaded rods (M).
NOTE: Washer (F) must be centered.

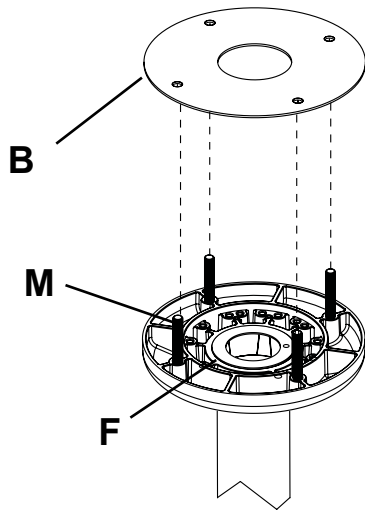


fig. 5.1

- 6** Align base assembly (step 5) with supporting surface and base (C) pattern facing the front as shown in Detail 1. Tighten four fender washers (R) with four lock nuts (N) in the sequenced pattern shown in Figure 6.1 with the 1/4 - 20 locknuts (N) at minimum flush with the bottom of the threaded rods (M).

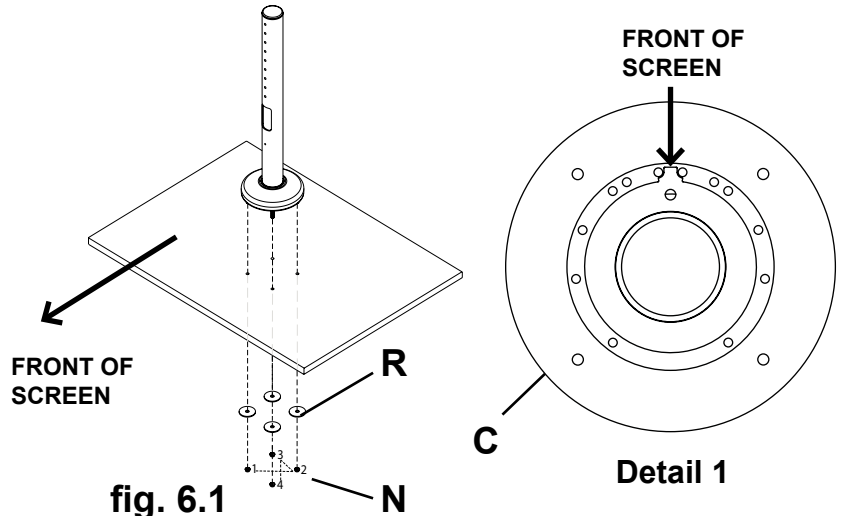


fig. 6.1

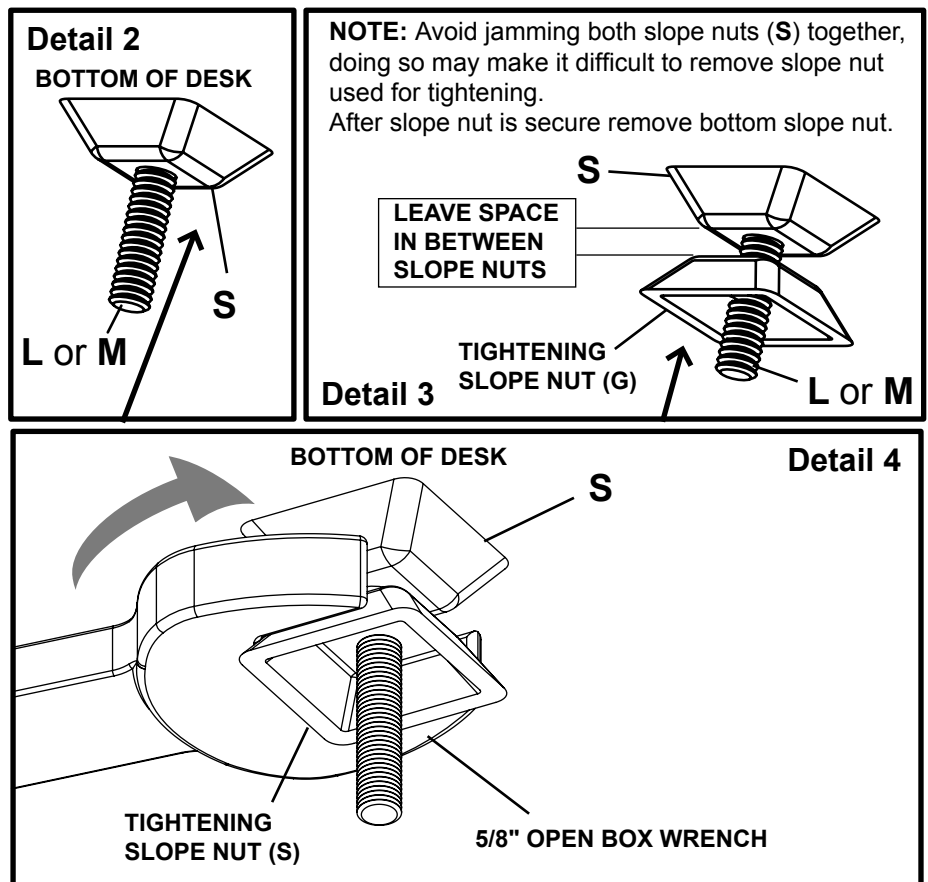
Mounting using Security Slope Nuts (Optional)

- 7** For added security replace two of the washers and locknuts with slope nuts.

Hand tighten slope nuts (S) onto two of the thread rods (L or M) until snug against bottom of table as shown in Detail 2.

Thread another slope nut (S) upside-down, about two turns from first slope nut (S) as shown in Detail 3.

Insert a 5/8" open box wrench between both slope nuts (S) and tighten as shown in detail 4.



8 **NOTE:** Adapter plate support box (D) can be flipped either way to allow necessary screen clearance. For best results, have screen close to desktop but not touching.

Adapter plate support box (D) is adjustable up to 6" at 1" increments. Attach adapter plate support box (D) to support tube (A) as shown in fig 8.1, then fasten two 1/4-20 x 1/2" phillips screws (H) and two split washers (G) through adapter plate support box (D) and support tube (A), as shown in fig. 8.2.

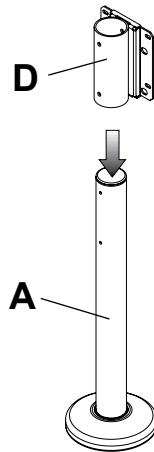


fig. 8.1

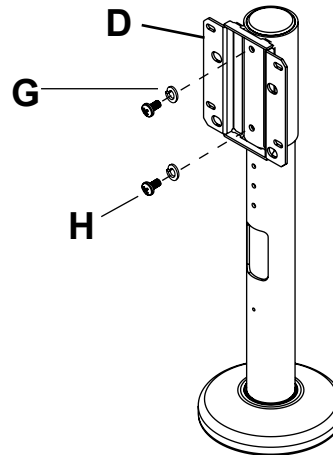


fig. 8.2

SUPPORTING SURFACE NOT SHOWN FOR CLARITY

9 **For installing screens with a VESA 100 hole pattern:** Using the 4mm allen wrench (J), attach universal adapter plate (E) to adapter plate (D) using four M4 x 12 mm serrated socket pin screws (I) as shown in figure 9.1.

For installing screens with Universal Adapter Plate: Using the penta-pin driver (Q), attach universal adapter plate (E) to adapter plate (D) using four M10 x 15 mm penta-pin screws (O) as shown in figure 9.2.

NOTE: For universal adapter plate (E), refer to the main instruction for further installation.

FOR SCREENS WITH VESA 100 HOLE PATTERN

FOR UNIVERSAL ADAPTER PLATE

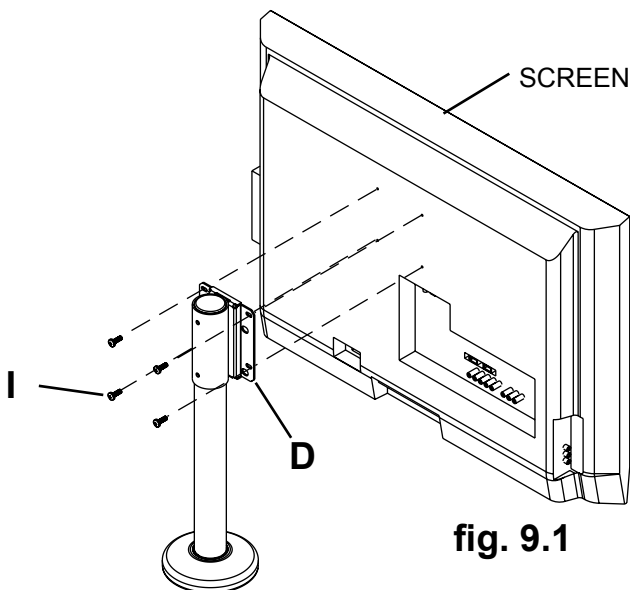


fig. 9.1

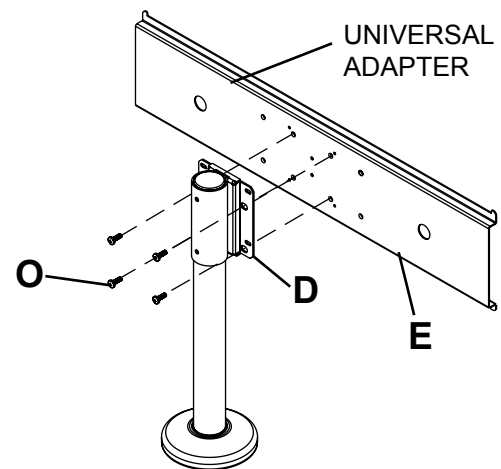


fig. 9.2

SUPPORTING SURFACE NOT SHOWN FOR CLARITY