

HP450(-S, -GB)

Universal Desktop Swivel Mount

For 32" to 52" (81 to 132 cm) flat panel TVs
with VESA® mounting hole patterns

The HP450 Flat Panel Desktop Swivel Mount offers a secure, functional and sleek mounting solution for use with a variety of flat panel TVs in hospitality applications. This mounting solution features a unique adapter plate that works with a variety of VESA® compliant mounting hole patterns and comes with security screws to deter tampering and theft. A swivel range from 0° to 360° makes it a versatile desktop mount for any room configuration. Completing this mount is an internal cable management system and a decorative base that delivers a stylish, clean and clutter-free installation.



TV size: 32"-52" (81-132 cm)



Max load: 150 lb (68 kg)

FEATURES

- Built-in swivel up to 360° allows for optimum viewing angle
- Free standing base bolts down for safety and security
- Adjustable height allows for greater flexibility
- Cable management internally through the mount and down through the mounting surface
- Decorative base is aesthetically pleasing and hides desktop mounting hardware
- Built in universal and VESA® adapter plate
- Increased depth adapter plate allows for the jack pack protrusion on the backside of the TV
- Security screws prevent tampering and theft



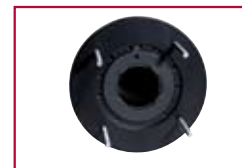
UNIVERSAL TV ADAPTER PLATE
Accommodates a variety TV mounting hole patterns

ADJUSTABLE HEIGHTS
Easy vertical adjustment to accommodate various height requirements

CLEAN APPLICATION
Internal cable management delivers a clean, clutter-free side profile

OPTIMUM VIEWING ANGLE
Offers up to 360° of swivel for flexible TV positioning, with swivel stops available at 40°, 60°, 120°, 180°, 210° and 240°

SLOPE NUTS AND SECURITY SCREWS
Prevent tampering or theft with unique sloped nuts at the base and security screws on the adapter plate



swivel stops



slope nuts security (shown without desktop surface)



Model Numbers

WARRANTY: Limited 5-year

HP450(-S, -GB) Universal Desktop Swivel Mount for 32" to 52" (81 to 132 cm) flat panel TVs with VESA® mounting hole patterns

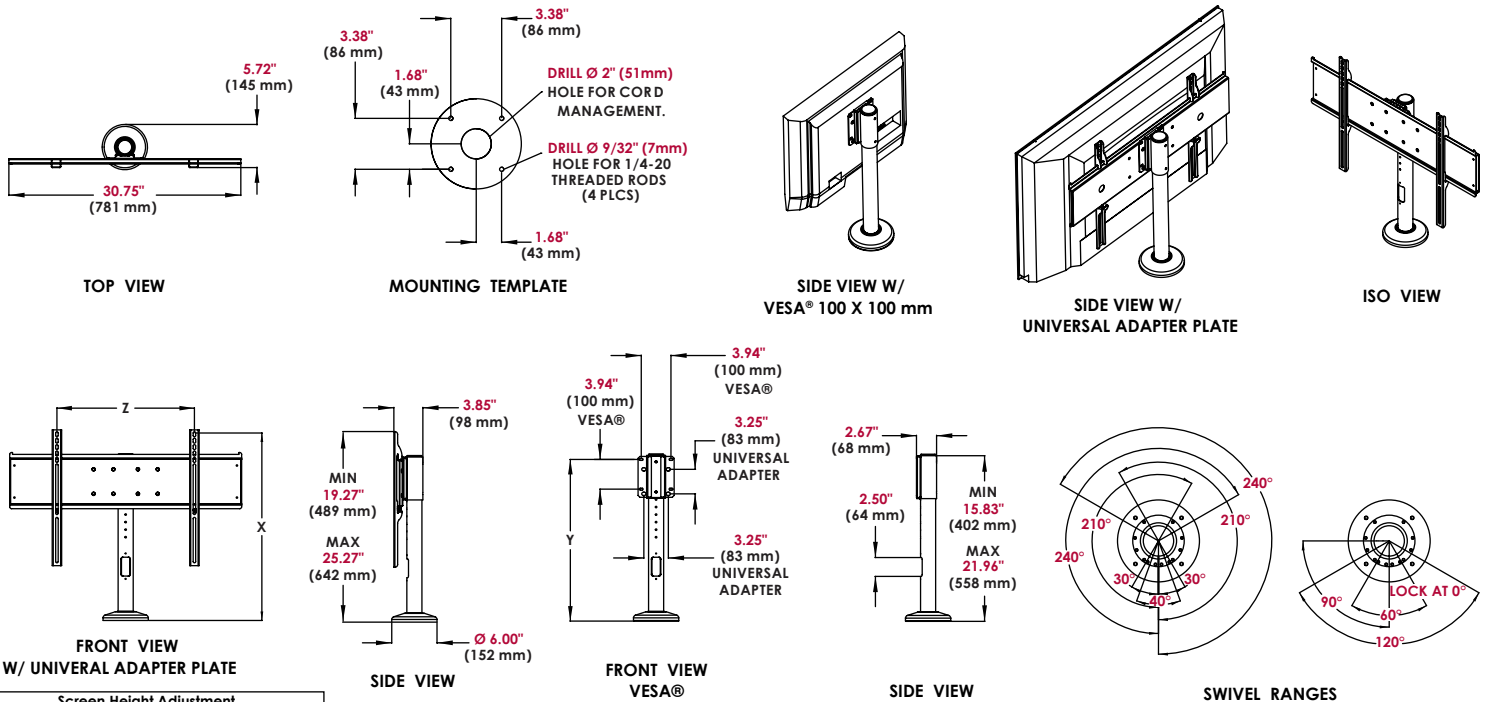
Product Specifications

	DIMENSIONS (W x H x D)	PRODUCT WEIGHT	LOAD CAPACITY	FINISH	AVAILABLE COLORS
HP450(-S, -GB)	30.75" x 26.5" x 6" (781 x 673 x 152 mm)	24.4 lb (11.07 kg)	150 lb (68 kg)	Scratch resistant fused epoxy	HP450: Black HP450-S: Silver HP450-GB: Gloss black

Package Specifications

	PACKAGE SIZE (L x W x H)	PACKAGE SHIP WEIGHT	PACKAGE UPC CODE	PACKAGE CONTENTS	UNITS IN PACKAGE
HP450(-S, -GB)	CARTON 1: 10.75" x 4.50" x 21.00" (273 x 114 x 533 mm) CARTON 2: 8.75" x 4.75" x 32.50" (222 x 121 x 826 mm)	CARTON 1: 14 lb (6.35 kg) CARTON 2: 14 lb (6.35 kg) TOTAL: 28 lb (12.7 kg)	HP450: 735029252252 HP450-S: 735029252276 HP450-GB: 735029253051	Support tube, base backer plate, desktop swivel base, universal adapter plate, fastener packet	1

All dimensions = inch (mm)



RANGE	MINIMUM	MAXIMUM
X	18.93" (481 mm)	24.85" (631 mm)
Y	15.43" (392 mm)	21.43" (544 mm)
Z	3.93" (100 mm)	28.89" (734 mm)

ARCHITECTS SPECIFICATIONS

The Universal Flat Panel Desktop Swivel Mount shall be a Peerless model HP450, HP450-S or HP450-GB and shall be located where indicated on the plans. It shall be constructed of heavy gauge steel. The finish shall be scratch resistant black or silver fused epoxy. Assembly and installation shall be done according to instructions provided by the manufacturer.