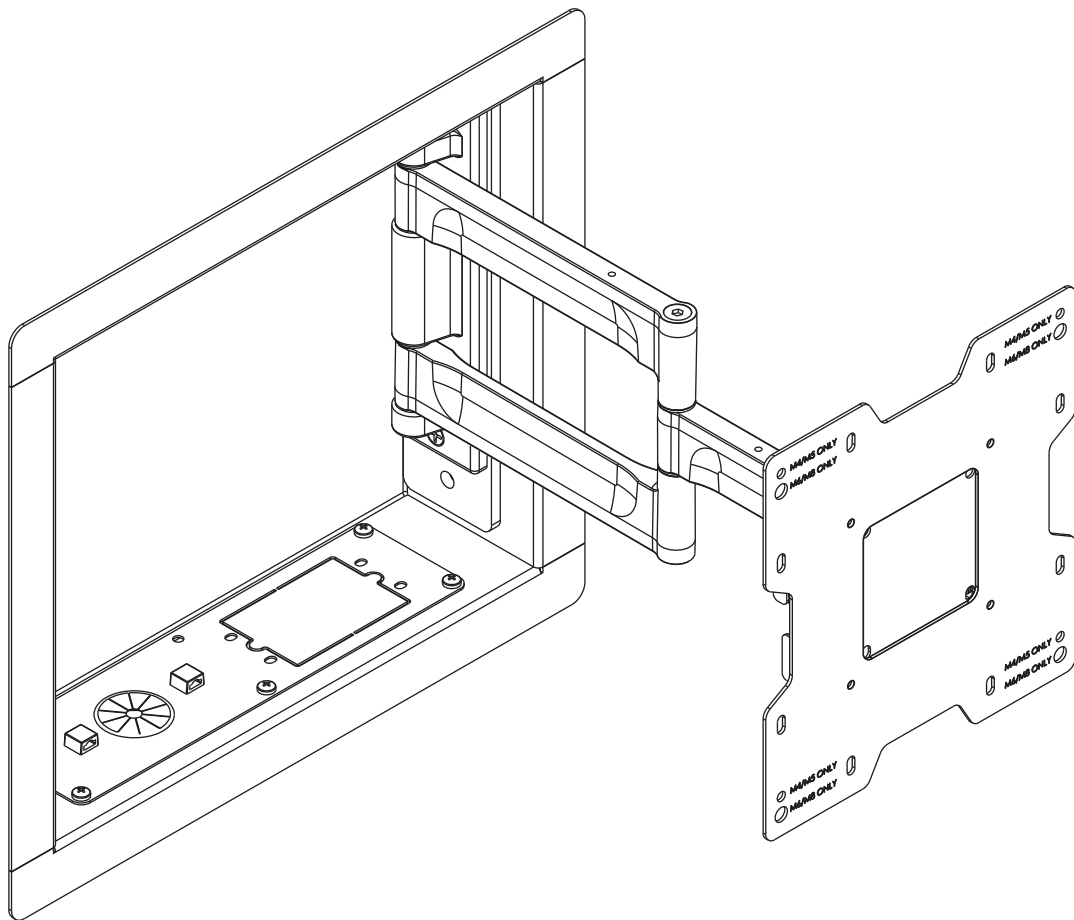




Installation and Assembly: In-wall Mount for up to 40" Flat Panel Displays

Models: IM740P, IM740P-S



Max UL Load Capacity: 80 lb (36.3 kg)

Note: Read entire instruction sheet before you start installation and assembly.

⚠ WARNING

- Do not begin to install your Peerless product until you have read and understood the instructions and warnings contained in this Installation Sheet. If you have any questions regarding any of the instructions or warnings, please call Peerless customer care at 1-800-865-2112.
- This product should only be installed by someone of good mechanical aptitude, has experience with basic building construction, and fully understands these instructions.
- Make sure that the supporting surface will safely support the combined load of the equipment and all attached hardware and components.
- Never exceed the Maximum UL Load Capacity.
- If mounting to wood wall studs, make sure that mounting screws are anchored into the center of the studs. Use of an "edge to edge" stud finder is highly recommended.
- Always use an assistant or mechanical lifting equipment to safely lift and position equipment.
- Tighten screws firmly, but do not overtighten. Overtightening can damage the items, greatly reducing their holding power.
- This product was designed and intended to be mounted to the following supporting surfaces checked below with the hardware included in this product as specified in the installation sheet. To mount this product to an alternative supporting surface, contact Peerless customer care at 1 800 865-2112.
- This product was designed to be installed on the following wall construction only;

WALL CONSTRUCTION

ADDITIONAL HARDWARE REQUIRED

<input checked="" type="checkbox"/> Wood Stud	None
<input type="checkbox"/> Wood Beam	Contact Customer Service (not evaluated by UL)
<input type="checkbox"/> Solid Concrete	Contact Customer Service (not evaluated by UL)
<input type="checkbox"/> Cinder Block	Contact Customer Service (not evaluated by UL)
<input type="checkbox"/> Metal Stud	Contact Customer Service (not evaluated by UL)
<input type="checkbox"/> Brick	Contact Customer Service (not evaluated by UL)
<input type="checkbox"/> Other or unsure?	Contact Customer Service (not evaluated by UL)

Tools Needed for Assembly

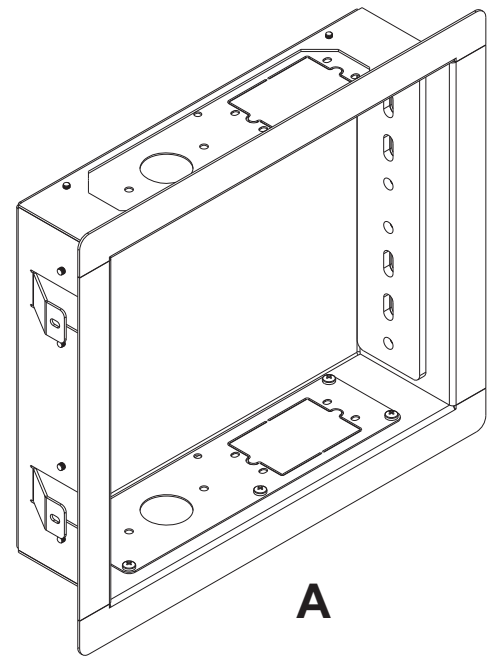
- stud finder ("edge to edge" stud finder is recommended)
- phillips screwdriver
- drill
- 5/32" and 1/8" bit for wood stud wall
- level

Table of Contents

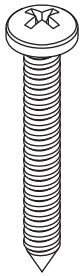
Parts List.....	3
Installation to Wood Stud Wall.....	4
Installing Articulating Arm to In-wall Box.....	5
Attaching Display.....	5
Cable Management.....	6

Before you begin, make sure all parts shown are included with your product.
Parts may appear slightly different than illustrated.

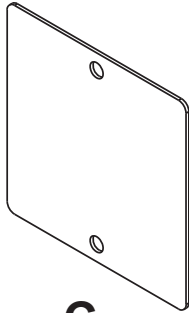
Parts List			IM740P	IM740P-S
Description	Qty.	Part #	Part #	Part #
A in-wall box	1	095-P1536	095-C4536	095-C4536
B #10 x 1.5" wood screw	2	500-2002	500-2002	500-2002
C mounting cover plate	2	095-P1533	095-C4533	095-C4533
D ribbed rivet	4	590-1296	590-1296	590-1296
E cable bushing	2	590-1295	590-1295	590-1295
F cable management clips	4	590-1166	590-1166	590-1166
G plastic finishing cap	2	590-1123	590-1123	590-1123
H cable tie	4	590-1168	590-1168	590-1168
AA Articulating Arm for 22" - 40" screens	1	PA740	PA740-S	PA740-S



A



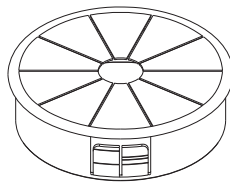
B



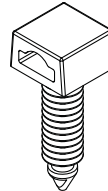
C



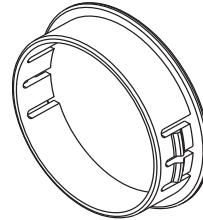
D



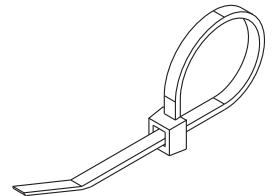
E



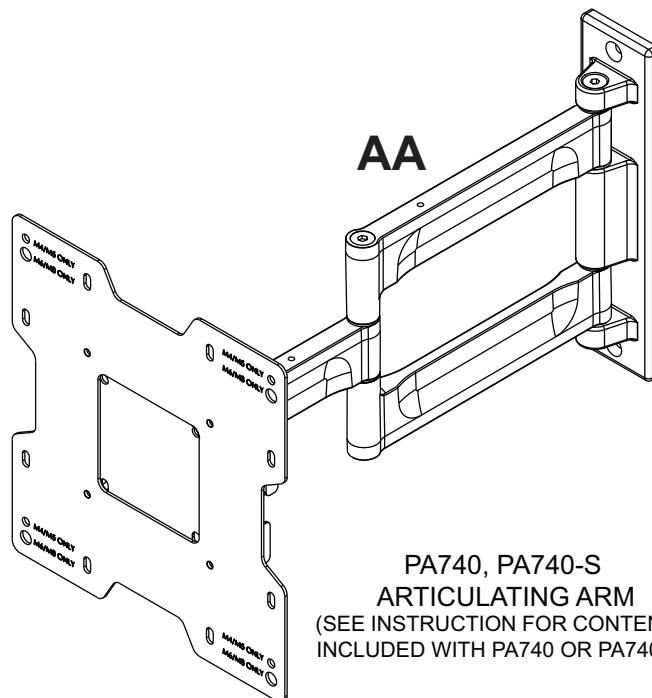
F



G



H



AA

PA740, PA740-S
ARTICULATING ARM
(SEE INSTRUCTION FOR CONTENTS
INCLUDED WITH PA740 OR PA740-S)

Installation to Wood Stud Wall

⚠ WARNING

- Installer must verify that the supporting surface will safely support the combined load of the equipment and all attached hardware and components.
- Tighten wood screws so that wall plate is firmly attached, but do not overtighten. Overtightening can damage the screws, greatly reducing their holding power.
- Never tighten in excess of 80 in. • lb (9 N.M.).
- Make sure that mounting screws are anchored into the center of the stud. The use of an "edge to edge" stud finder is highly recommended.
- Hardware provided is for attachment of mount through standard thickness drywall or plaster into wood studs. Installers are responsible to provide hardware for other types of mounting situations (not evaluated by UL).

1 In-wall box (A) must be installed between two studs 16" on center. Use an edge-to-edge stud finder to locate the edges of the stud. Based on its edges, draw two vertical lines down the inside edges of stud's. Mark desired center of in-wall box. Draw a horizontal line 6-1/8" (155 mm) above center of in-wall box (A). Draw a second horizontal line 12-1/4" (311 mm) below this line to outline wall opening between inside edges of studs. Remove drywall inside cut outline. **NOTE:** In-wall box (A) can be installed for left or right side mount orientation as shown in figure 1.2.

Insert in-wall box (A) into cut-out until flange is flush with drywall. Level in-wall box (A), and mark the position of two mounting holes using holes on mounting tabs. Remove in-wall box (A) and drill 1/8" (3 mm) dia. holes 1-1/2" (38 mm) deep using the locations previously marked. Reinstall and level in-wall box (A). Secure using two #10 x 1-1/2" wood screws (B) as shown in figure 1.3. Attach two mounting cover plates (C) to in-wall box (A) using four ribbed rivets (D) as shown in figure 1.4.

fig. 1.1

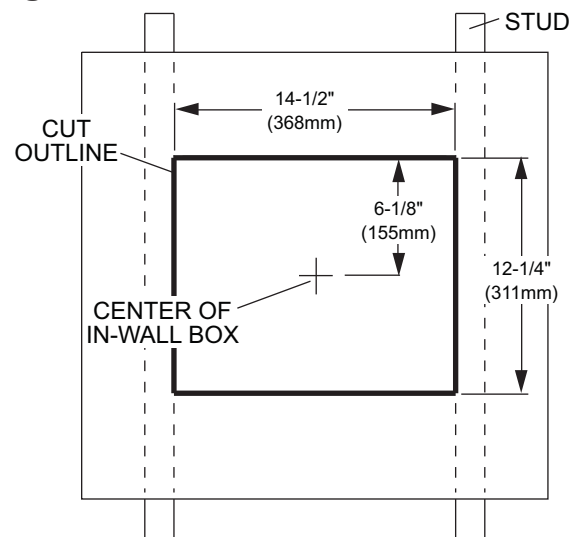


fig. 1.2

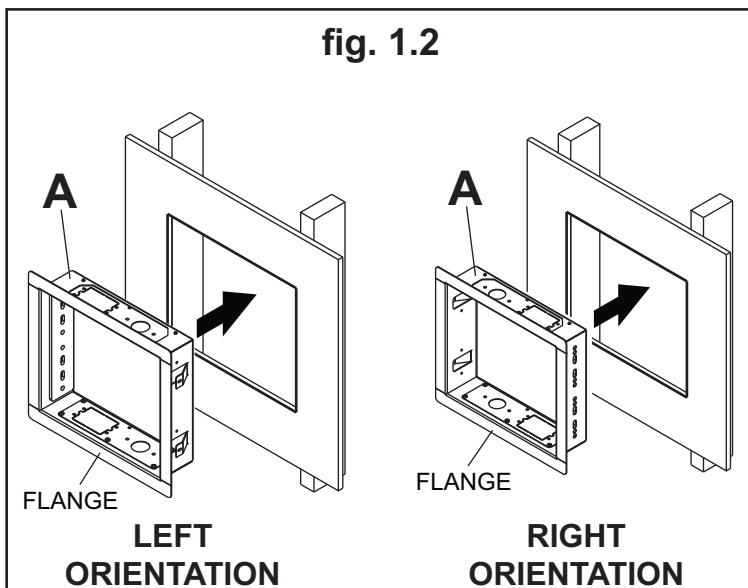


fig. 1.3

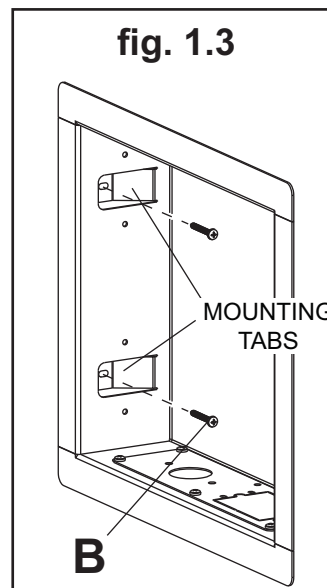
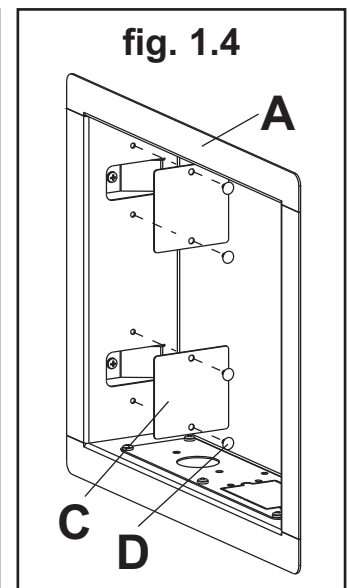


fig. 1.4

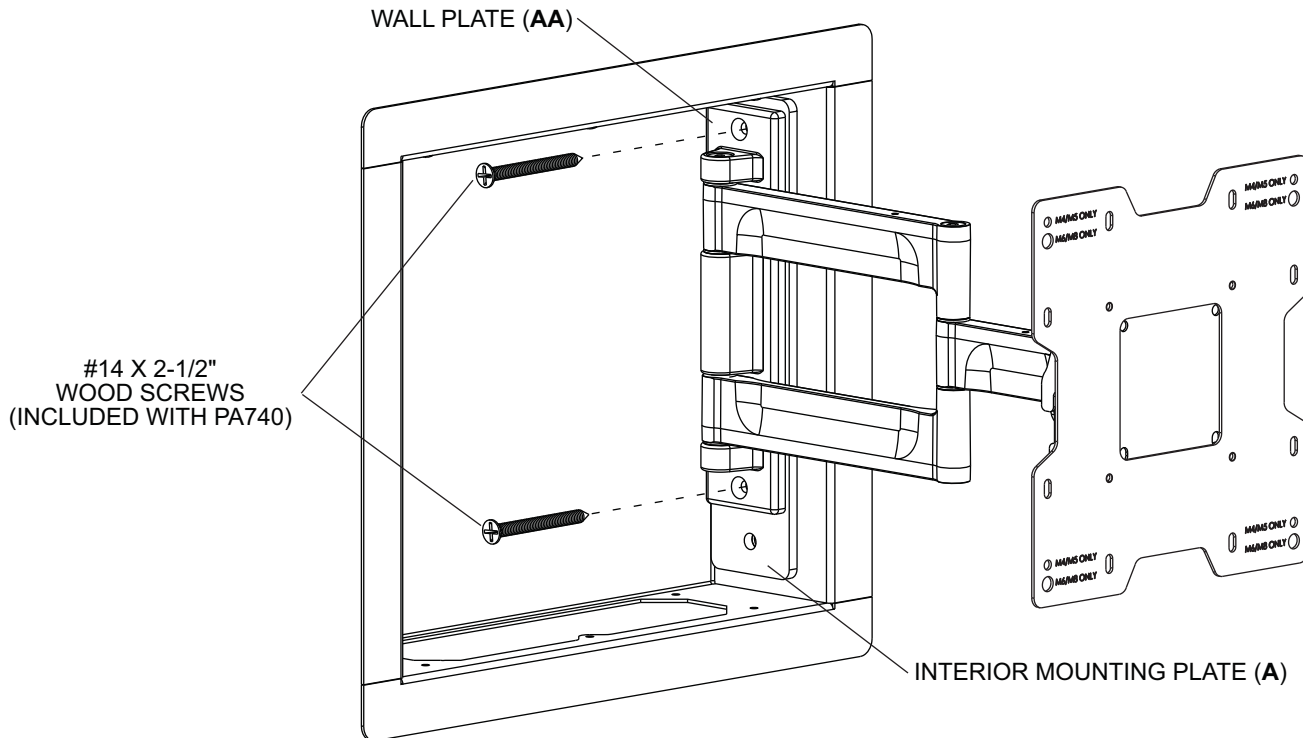


Installing Articulating Arm to In-wall Box

- 2** Choose hole pattern on interior mounting plate of in-wall box (**A**) which align with hole pattern on the wall plate of PA740 articulating arm (**AA**). Mounting hole alignments may be selected for different height installations.

NOTE: Consider position of display center or routing of cables before securing arm to in-wall box.

Drill two 5/32" (4 mm) holes 2.5" (65 mm) deep using interior mounting plate holes of in-wall box (**A**) as a guide. Attach PA740 articulating arm (**AA**) to in-wall box using two #14 x 2-1/2" wood screws (included with PA740).

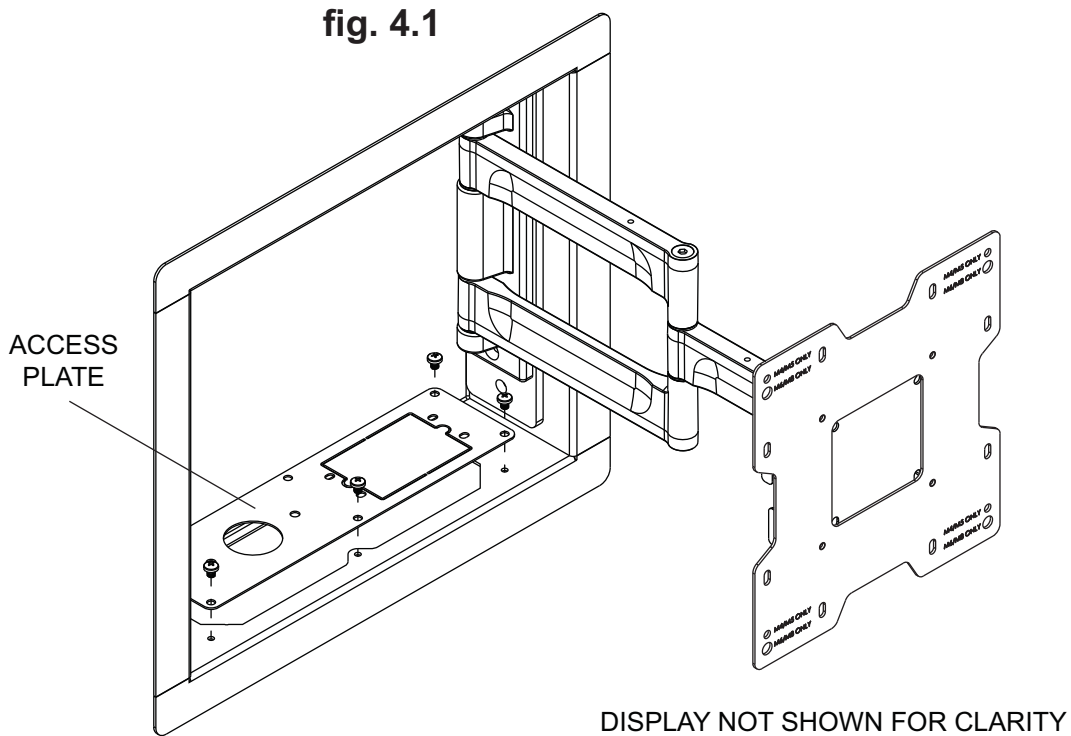


Installing Display to Arm

- 3** Refer to instruction included with PA740 for display installation to articulating arm.

Cable Management

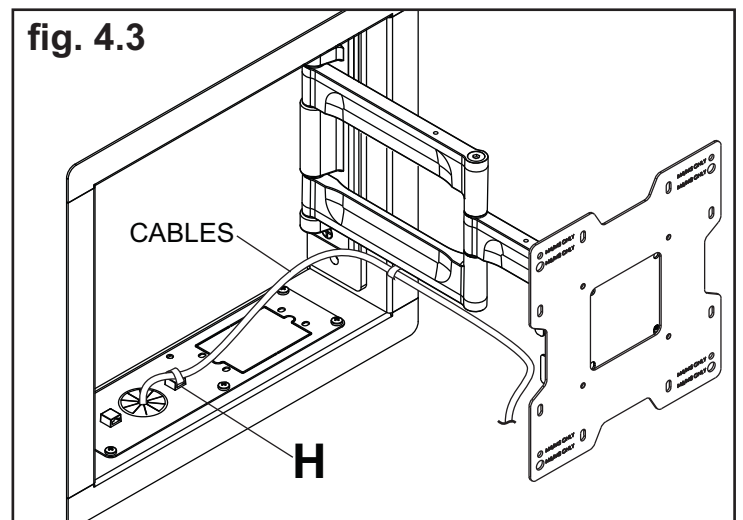
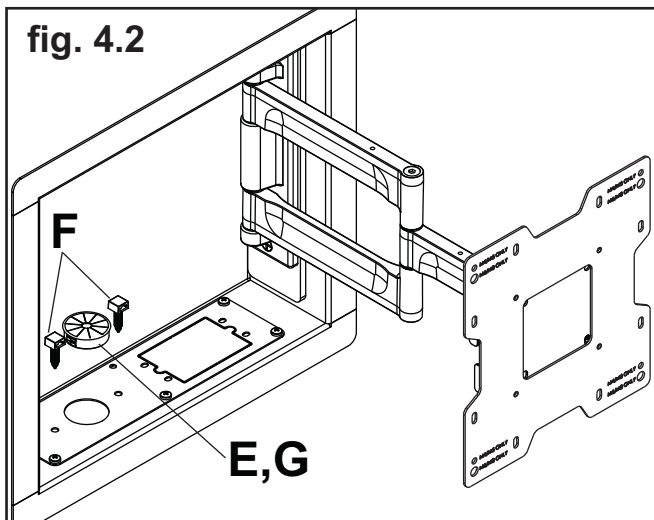
- 4** For optional installation of electrical gang box, access plates located on the bottom or top of in-wall box can be temporarily removed to install electrical gang box as shown in figure 4.1.



- 4-1** Insert up to four cable management clips (**F**) into the desired positions in the in-wall box as shown in figure 4.2 for routing cables. Refer to instruction included with PA740 articulating arm (**AA**) for cable management with arm. Insert cable bushing (**E**) into top or bottom hole of in-wall box for routing cables through in-wall box. Plastic finishing caps (**G**) can be used in holes where cables are not being routed.

NOTE: Make sure cables have enough slack to allow full movement of the arm.

Use cable ties (**H**) to secure cables to cable management clips as shown in figure 4.3.



LIMITED FIVE-YEAR WARRANTY

Peerless Industries, Inc. ("Peerless") warrants to original end-users of Peerless® products will be free from defects in material and workmanship, under normal use, for a period of five years from the date of purchase by the original end-user (but in no case longer than six years after the date of the product's manufacture). At its option, Peerless will repair or replace, or refund the purchase price of, any product which fails to conform with this warranty.

In no event shall the duration of any implied warranty of merchantability or fitness for a particular purpose be longer than the period of the applicable express warranty set forth above. Some states do not allow limitations on how long an implied warranty lasts, so the above limitation may not apply to you.

This warranty does not cover damage caused by (a) service or repairs by the customer or a person who is not authorized for such service or repairs by Peerless, (b) the failure to utilize proper packing when returning the product, (c) incorrect installation or the failure to follow Peerless' instructions or warnings when installing, using or storing the product, or (d) misuse or accident, in transit or otherwise, including in cases of third party actions and force majeure.

In no event shall Peerless be liable for incidental or consequential damages or damages arising from the theft of any product, whether or not secured by a security device which may be included with the Peerless® product. Some states do not allow the exclusion or limitation of incidental or consequential damages, so the above limitation or exclusion may not apply to you.

This warranty is in lieu of all other warranties, expressed or implied, and is the sole remedy with respect to product defects. No dealer, distributor, installer or other person is authorized to modify or extend this Limited Warranty or impose any obligation on Peerless in connection with the sale of any Peerless® product.

This warranty gives specific legal rights, and you may also have other rights which vary from state to state.

peerless-AV

www.peerlessmounts.com

© 2012 Peerless Industries, Inc.