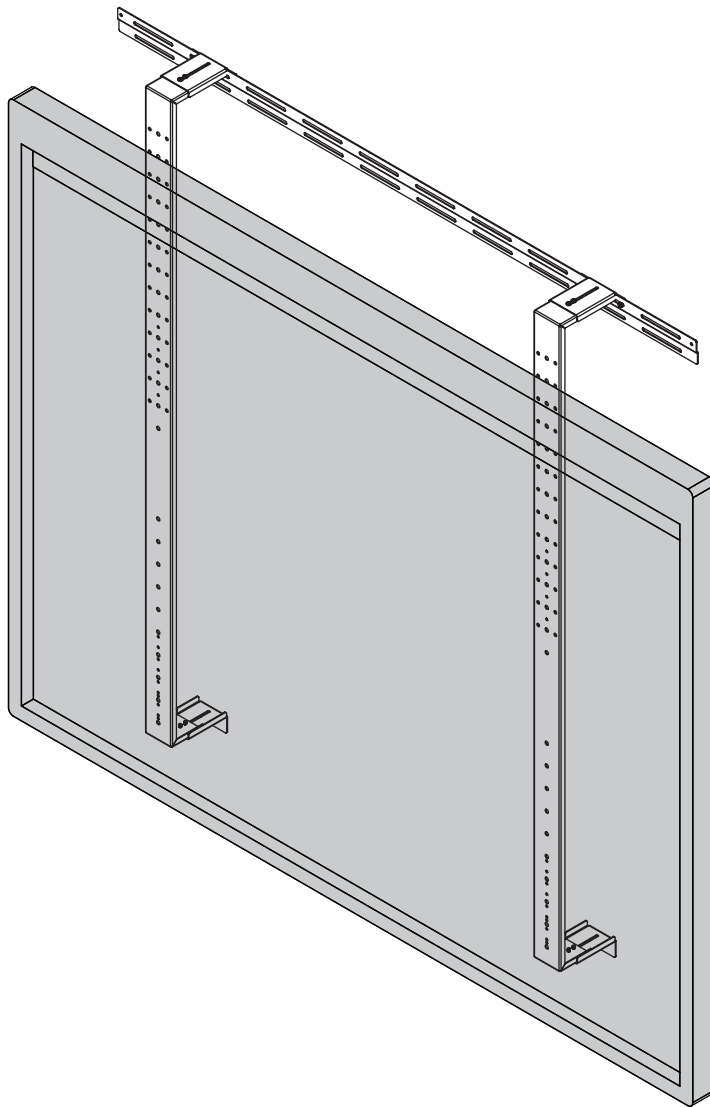




Installation and Assembly: Wall Mount for White Boards

Model: IWB600-2SB



COMPATIBLE WITH:

ActivBoard

- 64" ActivBoard 164
- 78" ActivBoard 178
- 78" ActivBoard 378 PRO
- 87" ActivBoard 387 PRO
- 95" ActivBoard 395 PRO

Interwrite

- 77" Dual Board

Hitachi

- 63" Starboard DUO
- 77" Starboard DUO
- 77" Starboard TRIO
- 88" Starboard DUO

Marsh

- 77" Marsh Board PR4050000

SMART

- 64" SMART Board SB660
- 77" SMART Board SB680

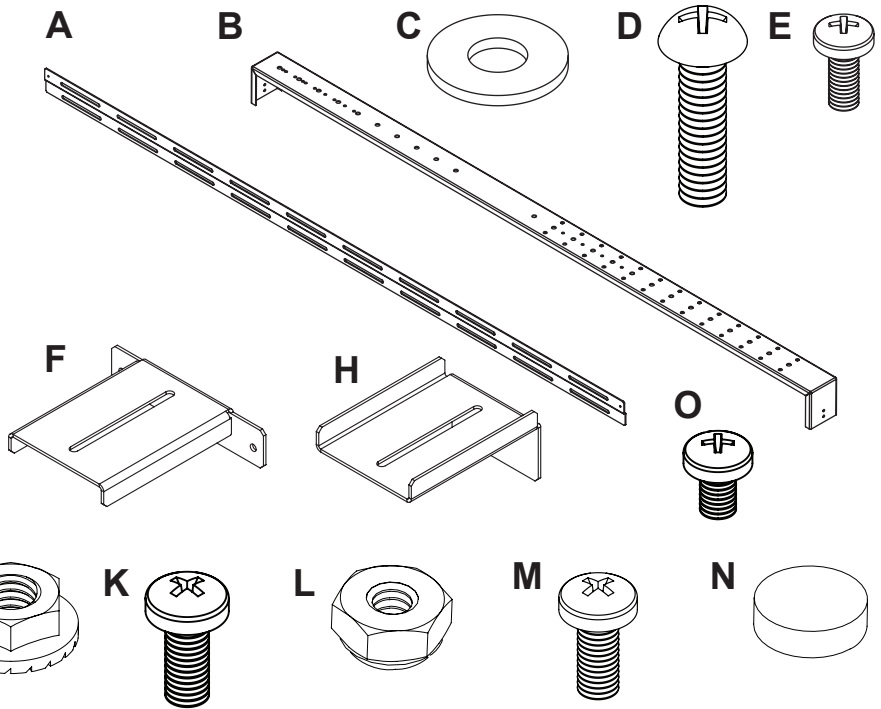
Max Load Capacity: 70 lb (31.7 kg)

NOTE: Read instruction sheet before you start installation and assembly.

PARTS LIST

Description	Qty.	Part #
A wall bracket	1	095-4652
B vertical bracket	2	095-4683
C 1/4" flat washer	6	540-9444
D 1/4-20 x 1" phillips screw	4	510-9110
E M4 x 6 mm pphillips screw	2	520-2032
F top depth adjusting bracket	2	095-4685
G .320 ID x 1 OD x .375 spacer	4	540-2084
H bottom depth adjusting bracket	2	095-4684
I plastic bushing	4	540-0087
J M5 serrated flanged lock nut	4	530-2042
K M5 x 12 mm phillips screw	4	520-2039
L M6 nylock nut	4	530-9334
M M6 x 12 mm phillips screw	4	520-2039
N rubber pad	4	590-1124
O M5 x 8 mm phillips screw	10	520-2167

NOTE: Some parts may appear slightly different than illustrated



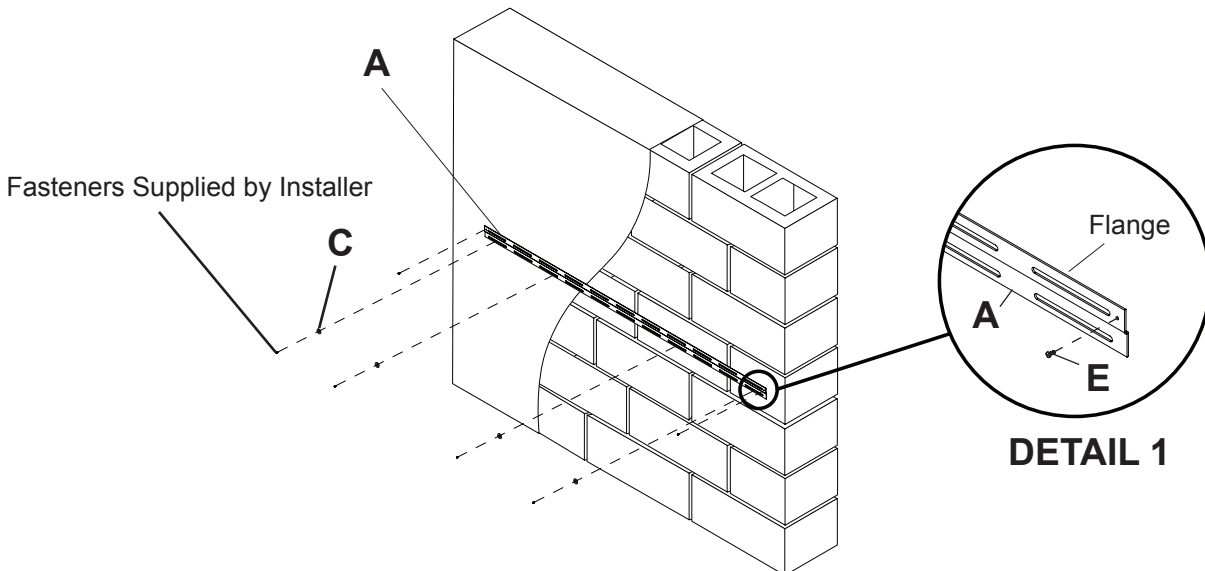
Installation to Wall

⚠ WARNING

- Installer must verify that the supporting surface will safely support the combined load of the equipment and all attached hardware and components.

1 **NOTE:** Make sure flange of wall bracket is located on top as shown in detail 1
 Be sure wall bracket (A) is level and in desired position. Then use wall bracket (A) as a template to mark center of four mounting holes. Drill four mounting holes. Attach wall bracket (A) to mounting surface using four screws provided by installer and four 1/4 washers (C) if required. Once secure, wall bracket (A) will be flush with the top of the vertical bracket (B). Fasten two M4 x 6 mm phillips screws (E) into wall bracket (A).

NOTE: Vertical brackets (B) may be used to determine location of wall bracket (A).

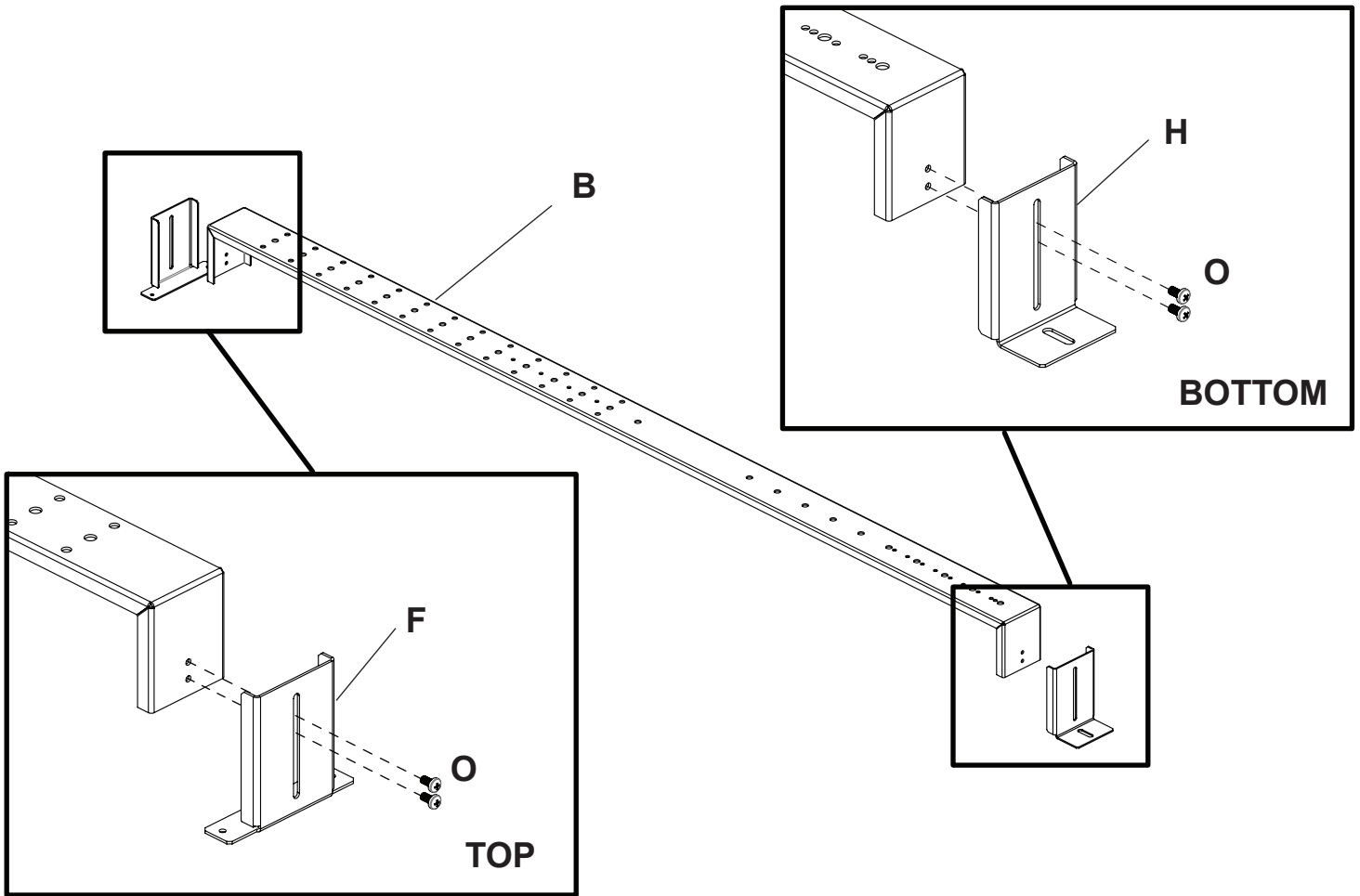


Attaching Top and Bottom Depth Adjusting Brackets

2 Attach top and bottom depth adjusting brackets (**F** and **H**) onto vertical bracket (**B**) using four M5 x 8 mm phillips screws (**O**) as shown below.

NOTE: Fully extend and tighten depth adjusting brackets (**F** and **H**). Depth can be adjusted after whiteboard is attached to mount.

Repeat using second vertical bracket (**B**) and top and bottom depth adjusting brackets (**F** and **H**).



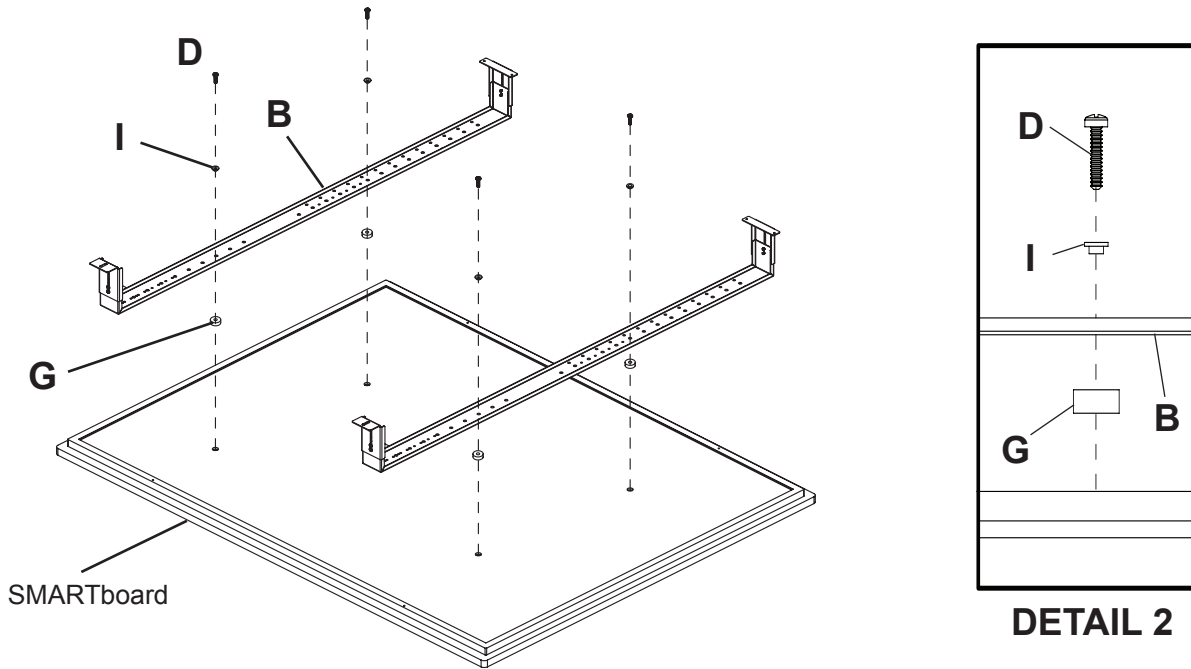
Installation to SMARTboards	Skip to Page 4
Installation to Hitachi Starboard	Skip to Page 5
Installation to Marsh Board	Skip to Page 7
Installation to Interwrite Board	Skip to Page 10
Installation to ActivBoard	Skip to Page 11

3 SMARTboards

Rest Smart Board face down on a non abrasive surface to prevent scratching.

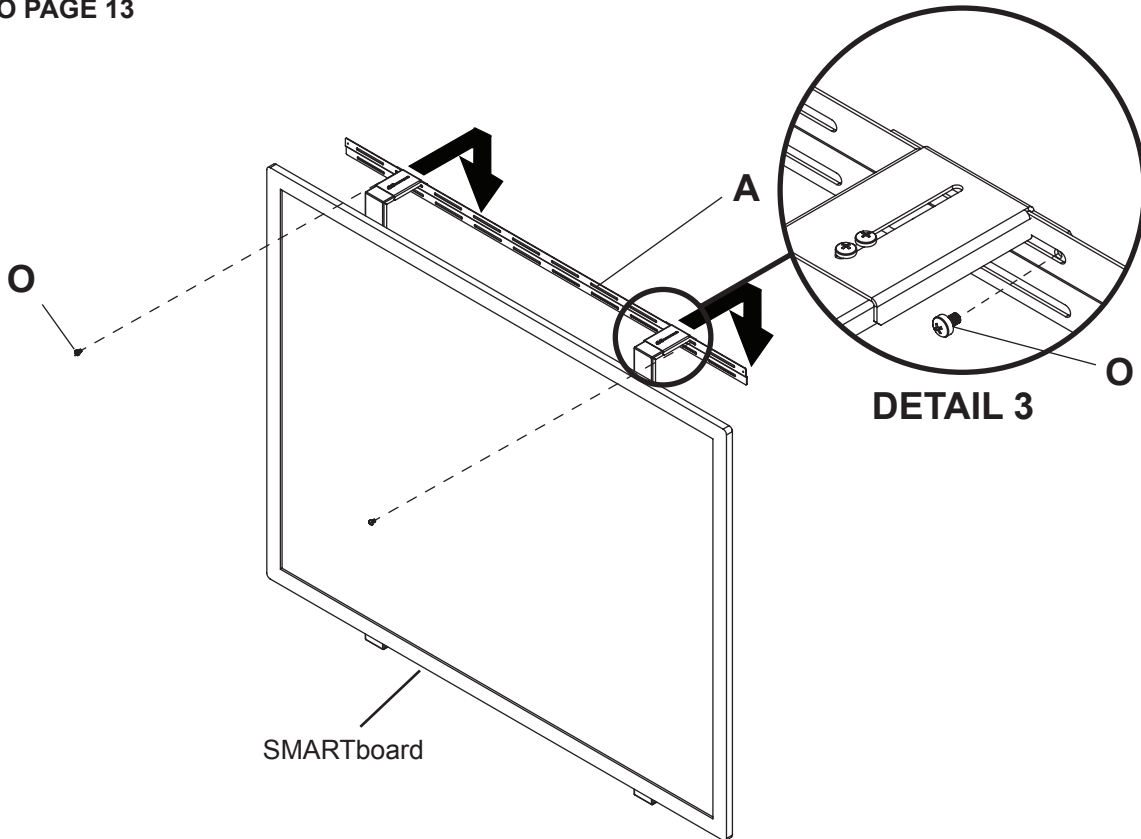
Attach vertical brackets (B) to board using four 1/4 - 20 phillips head screws (D) through plastic bushings (I), and .320 ID x 1 x .375 spacers (G) as shown in detail 2.

NOTE: Vertical brackets (B) can be adjusted vertically in 2" increments to change Smartboard position.



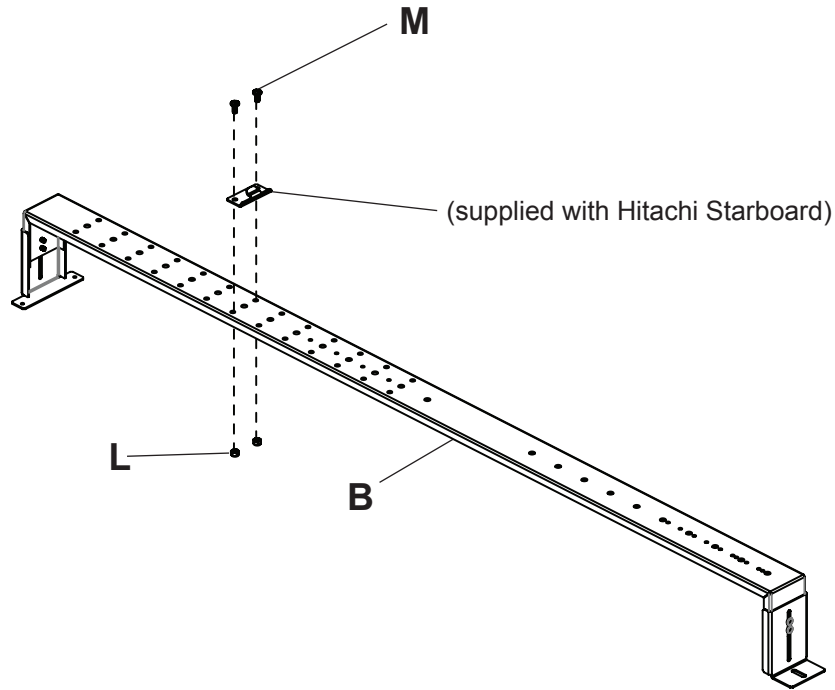
4 Hook vertical brackets (B) to wall bracket (A) and secure using two M5 x 8 mm phillips screws (O) as shown in detail 3.

SKIP TO PAGE 13

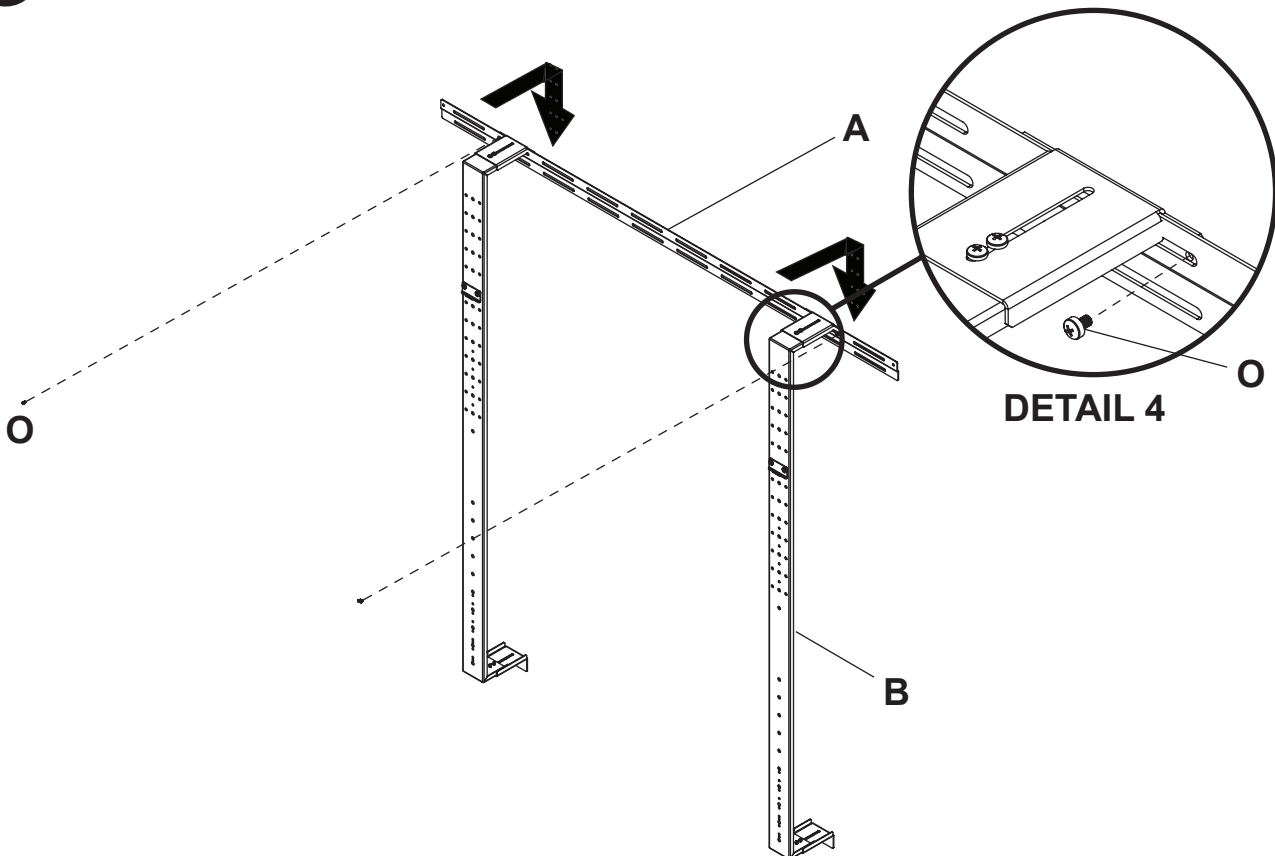


Hitachi Starboard

- 3** Fasten Hitachi bracket (supplied with Hitachi Starboard) to vertical support (**B**) using two M6 x 12 mm phillips screws (**M**) and two M6 nylock nuts (**L**) as shown below. Repeat using second vertical support (**B**).



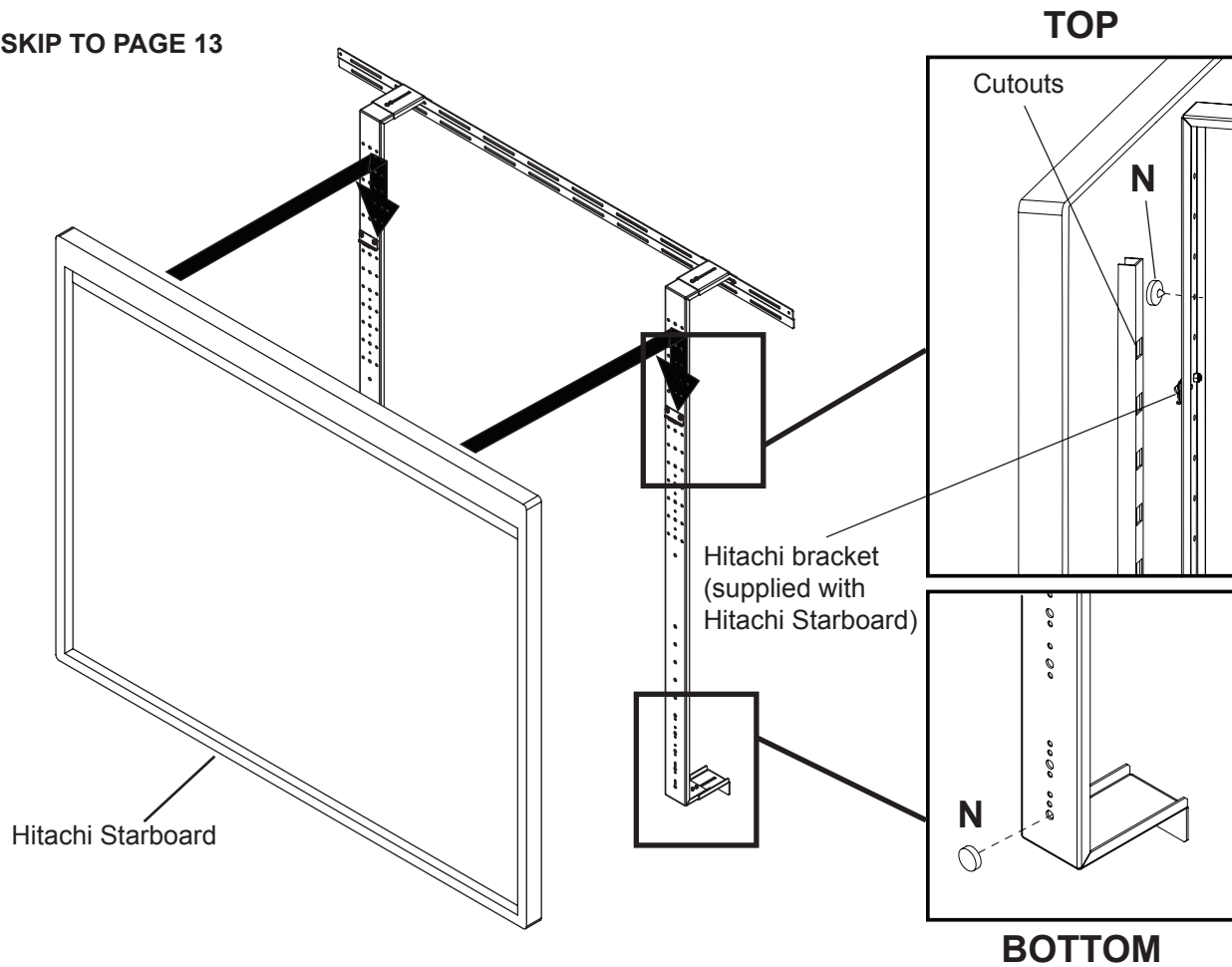
- 4** Hook vertical brackets (**B**) to wall bracket (**A**) and secure using two M5 x 8 mm phillips screws (**O**) as shown in detail 4.



5 Press four rubber pads (**N**) into center holes on top and bottom of vertical supports (**B**) to stabilize board as shown below. Make sure rubber pads (**N**) line up with existing Hitachi brackets on back of board.

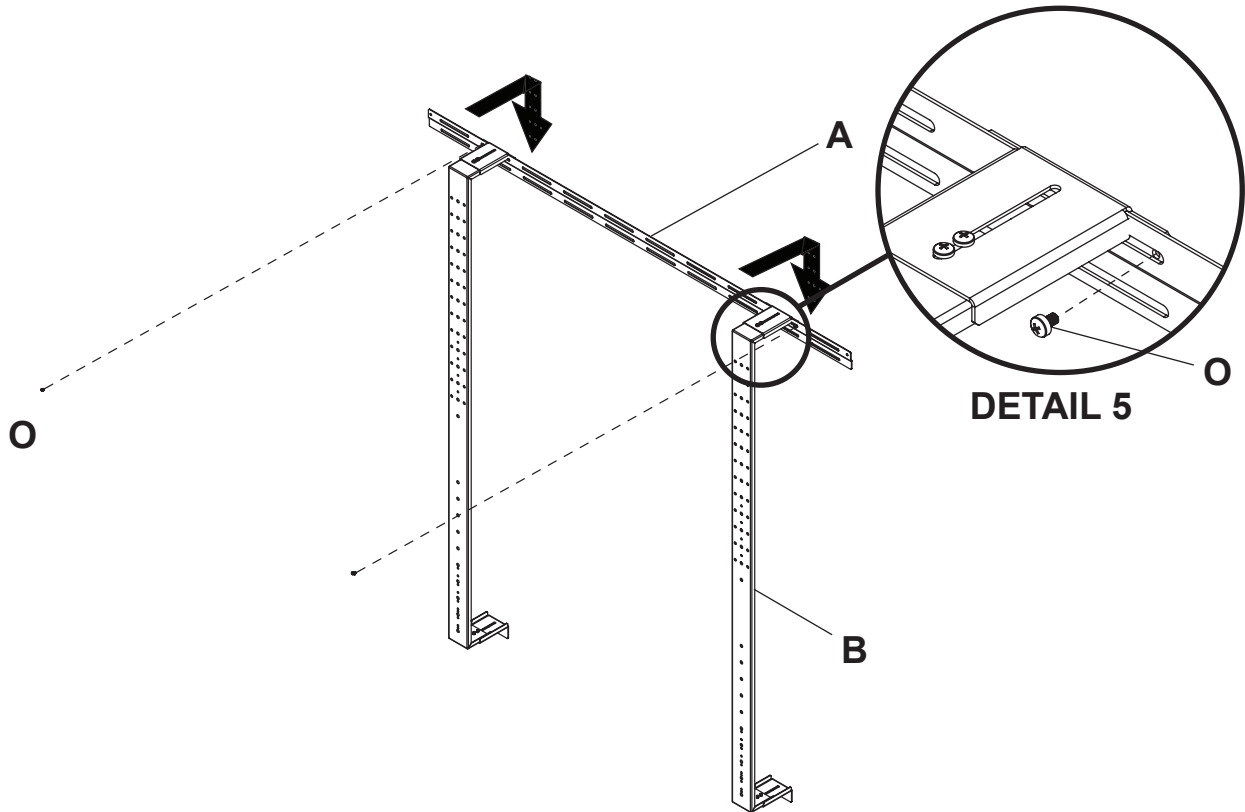
Hook Hitachi rail cutouts onto Hitachi bracket at desired height as shown below.

SKIP TO PAGE 13

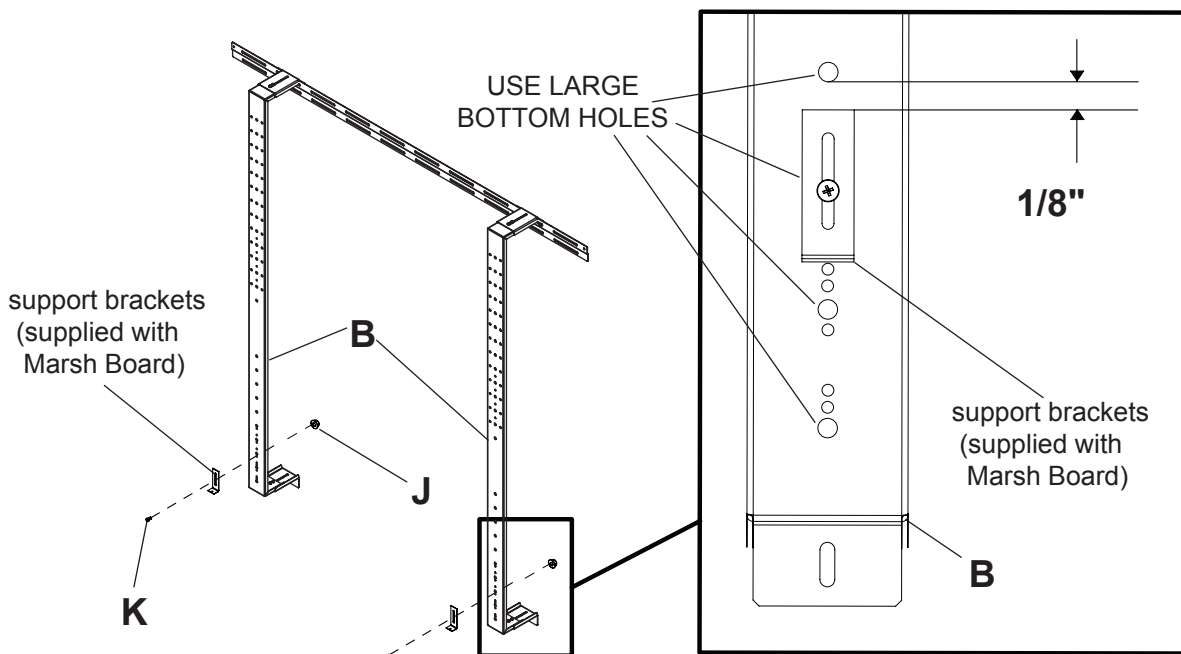


Marsh Board

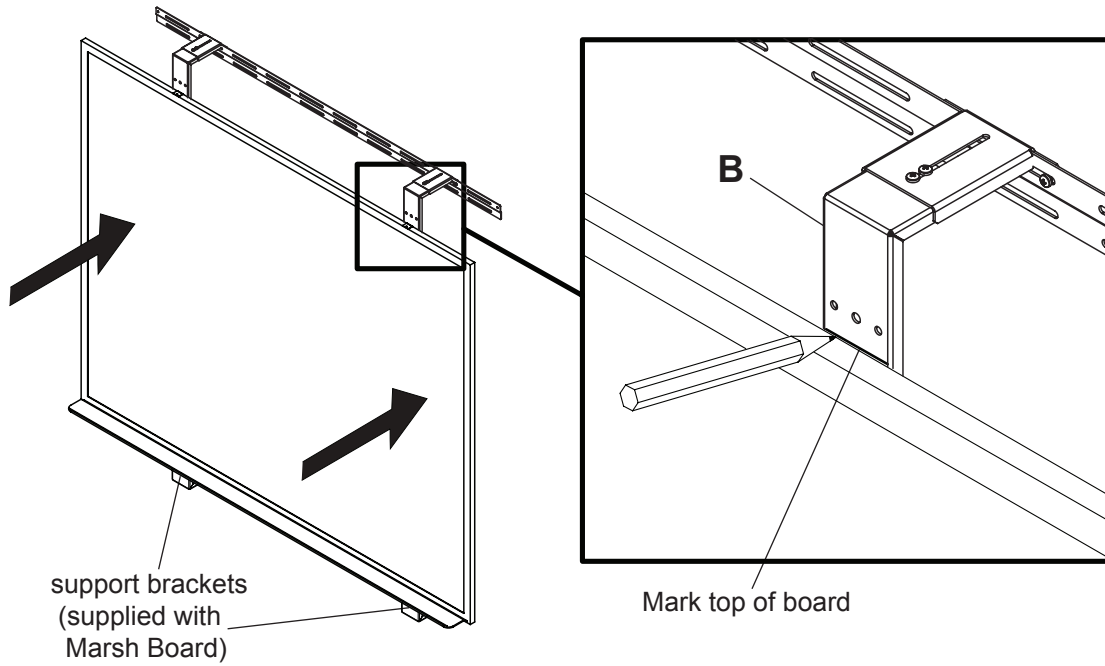
- 3** Hook vertical brackets (**B**) to wall bracket (**A**) and secure using two M5 x 8 mm phillips screws (**O**) as shown in detail 5.



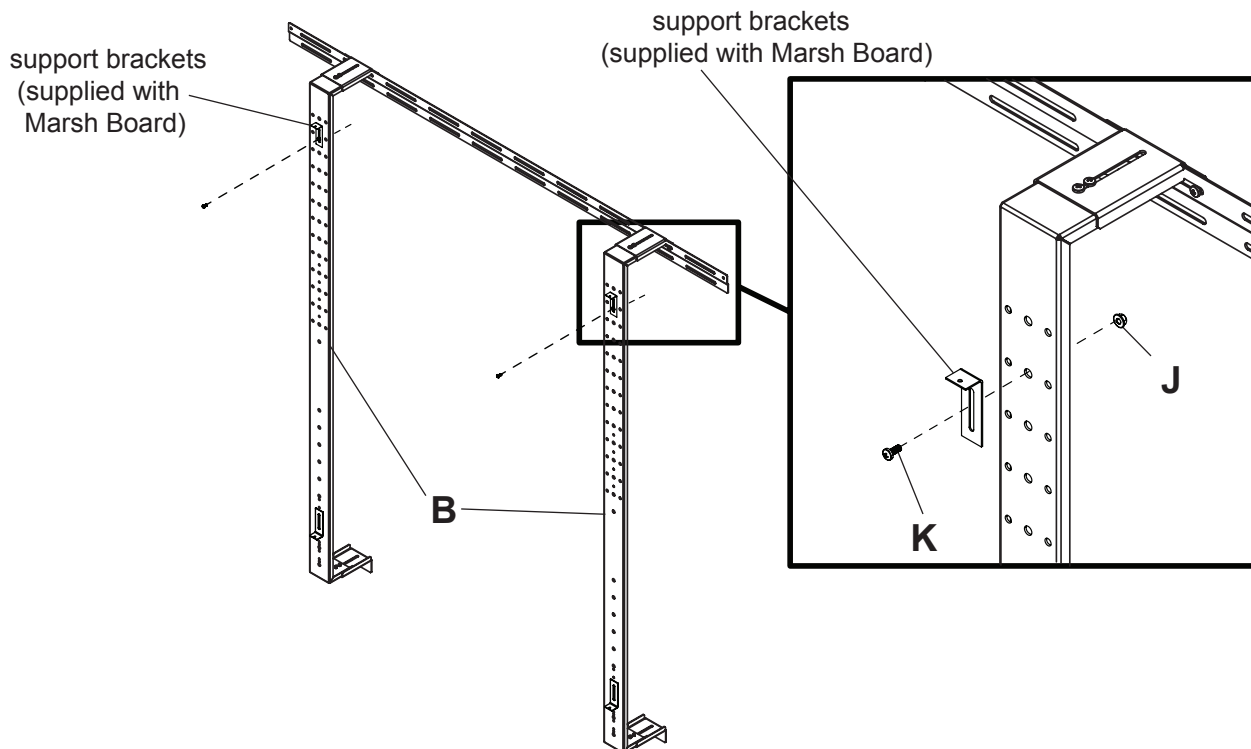
- 4** Fasten two support brackets (supplied with Marsh Board) to bottom of vertical supports (**B**) using four M5 x 12 mm phillips screws (**K**) and M5 serrated flanged lock nuts (**J**) as shown below.
NOTE: Make sure that the distance between the top of the support bracket and bottom of hole is 1/8".
NOTE: Use only the large bottom four mounting holes on vertical support (**B**).



- 5** Position Marsh Board onto support brackets (supplied with Marsh Board) and mark top of board as shown below.
Remove Marsh Board.



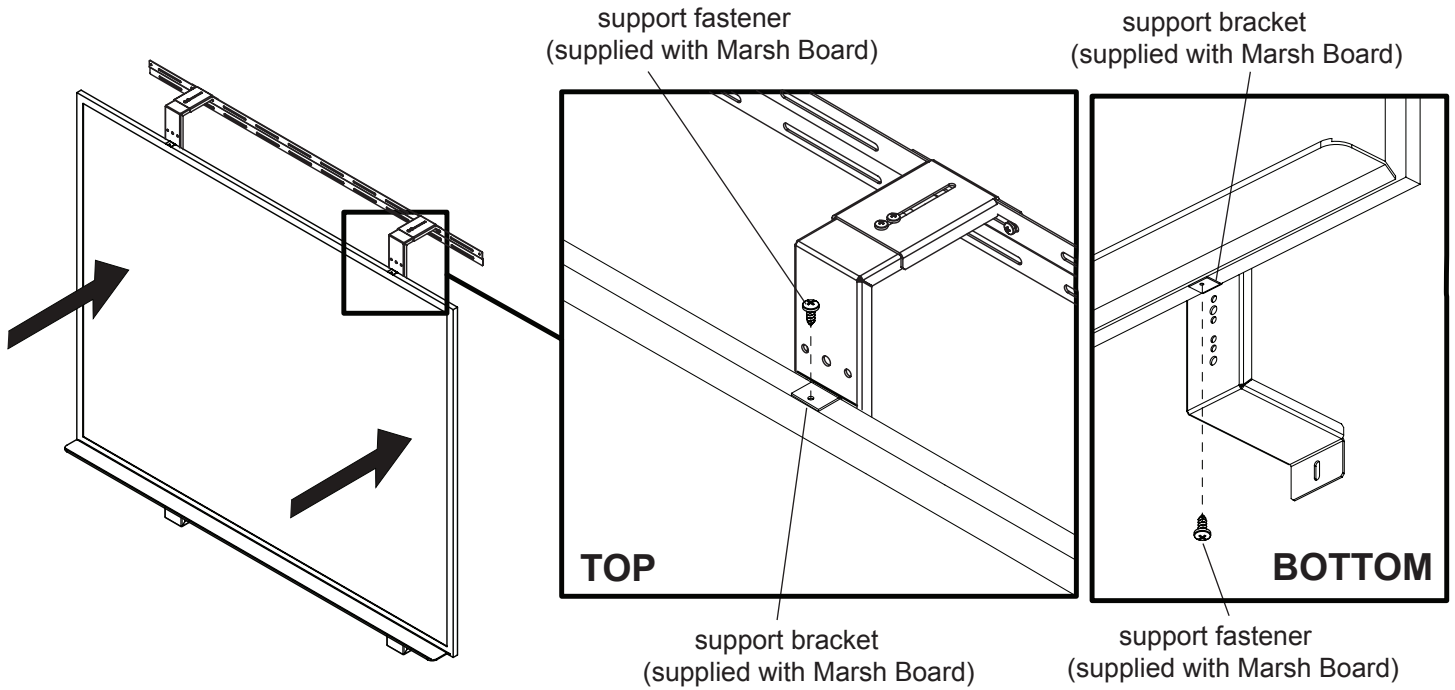
- 6** Fasten two support brackets (supplied with Marsh Board) to vertical supports (**B**) using four M5 x 12 mm phillips screws (**K**) and M5 serrated flanged lock nuts (**J**) as shown below.



7 Position Marsh Board onto support brackets (supplied with Marsh Board) and align top of board with marked line on vertical support as shown below.

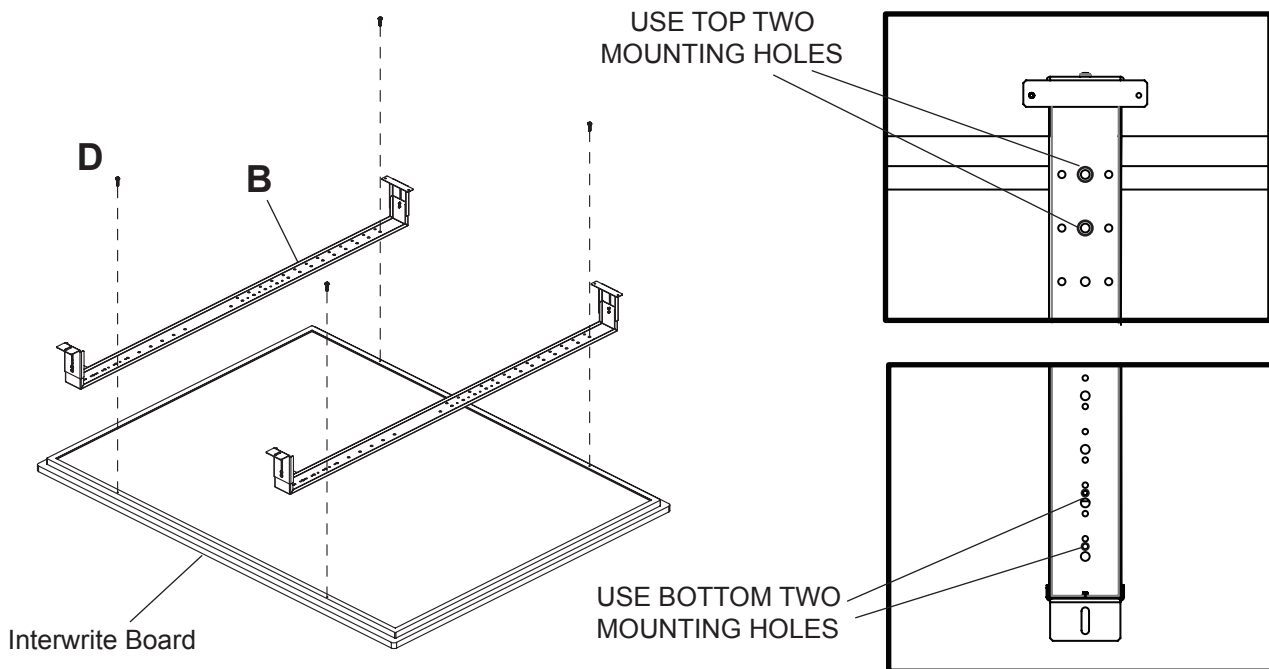
Fasten two support brackets (supplied with Marsh Board) to Marsh Board using four support fasteners (supplied with Marsh Board) on top and bottom as shown below.

SKIP TO PAGE 13

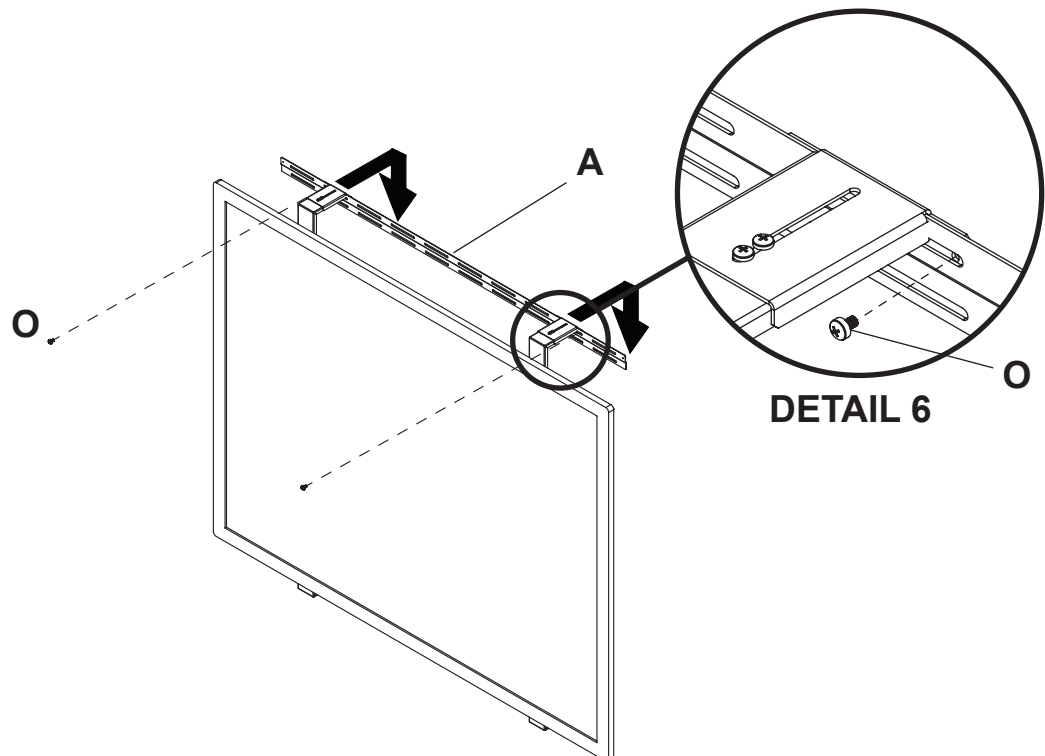


Interwrite Board

- 3** Attach vertical brackets (**B**) to Interwrite board using four 1/4 - 20 phillips head screws (**D**) as shown.

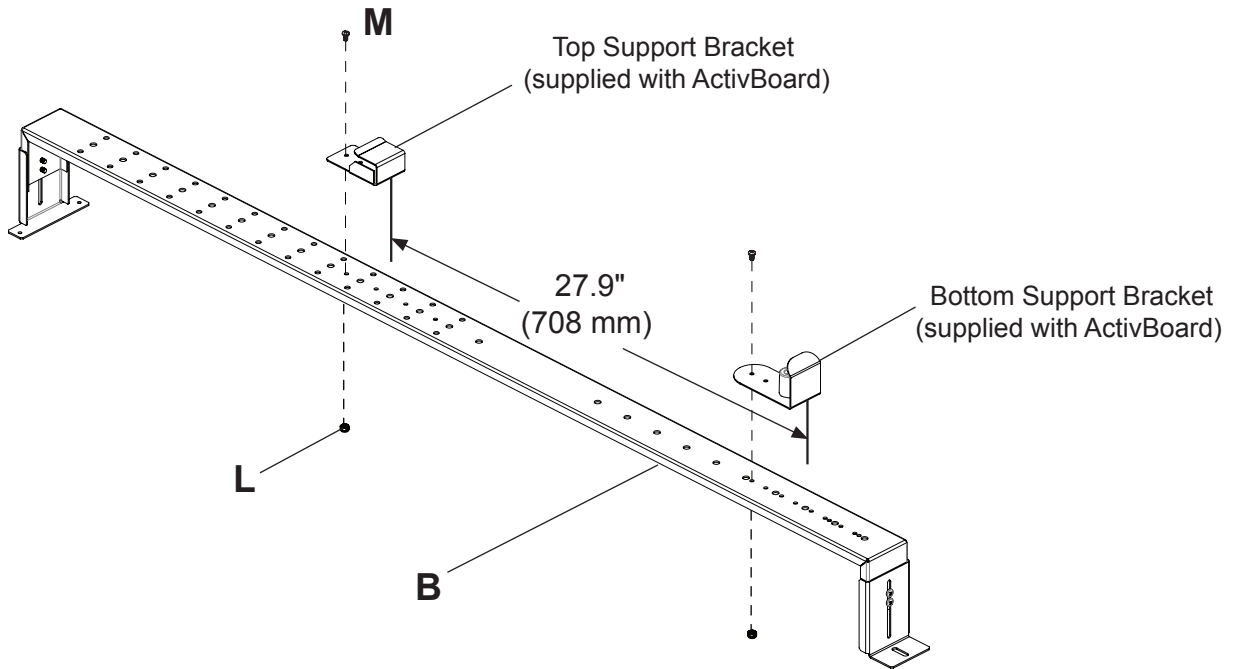


- 4** Hook vertical brackets (**B**) to wall bracket (**A**) and secure using two M5 x 8 mm phillips screws (**O**) as shown in detail 6.
SKIP TO PAGE 13

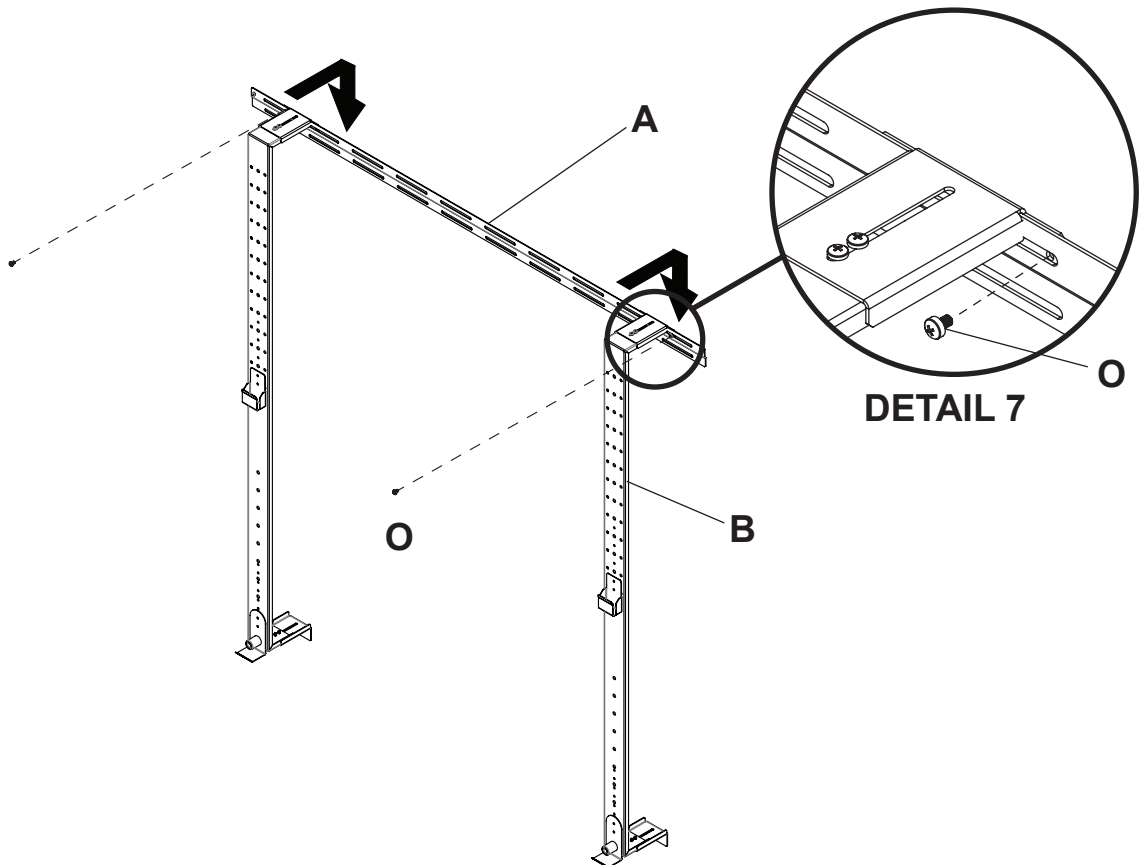


ActivBoard

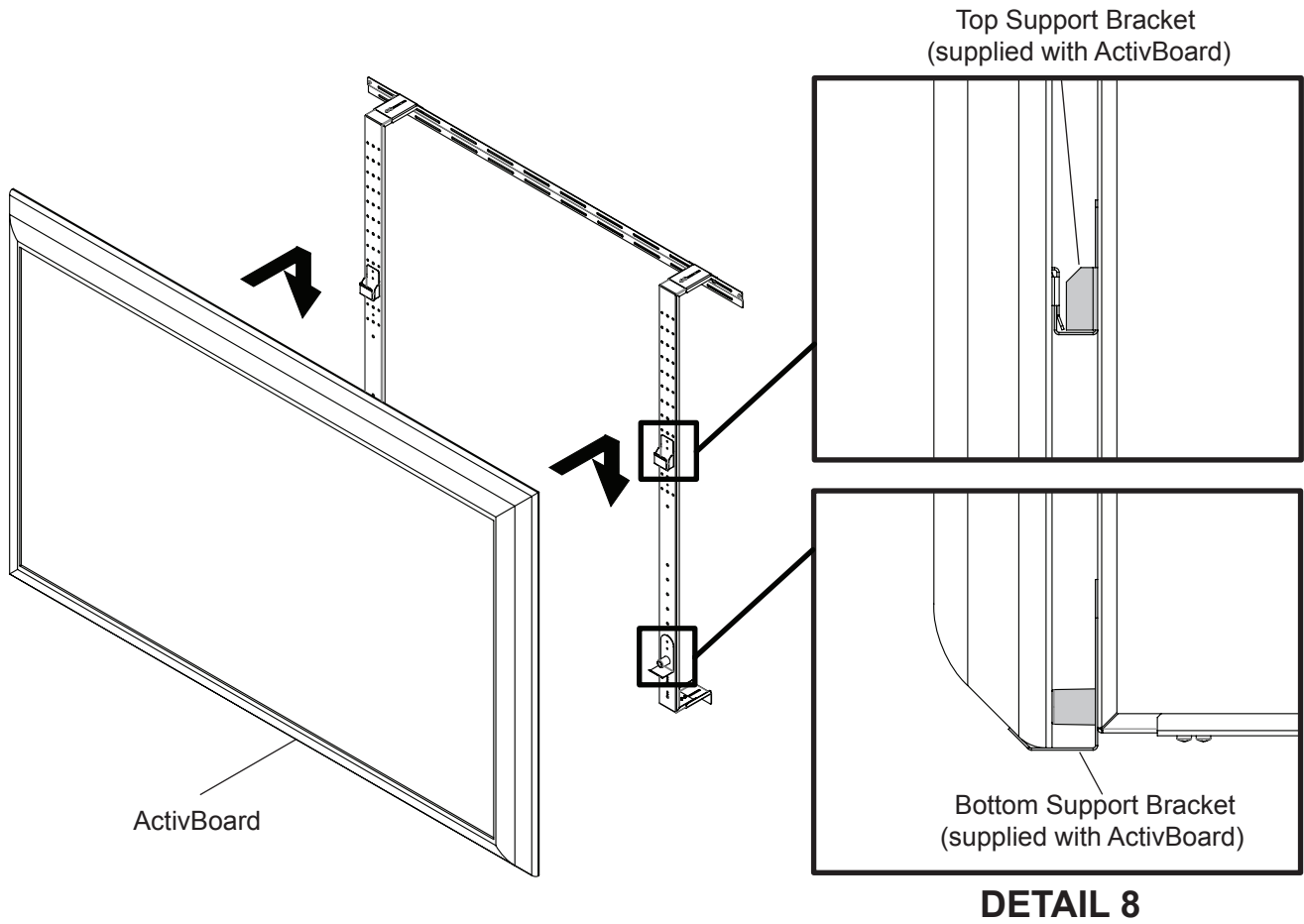
- 3** Fasten top and bottom support bracket (supplied with ActivBoard) to vertical bracket (**B**) using two M6 x 12 mm phillips screws (**M**), and M6 nylock nuts (**L**) as shown below. Repeat using second vertical bracket (**B**).
NOTE: Be sure to mount brackets 27.9" apart.



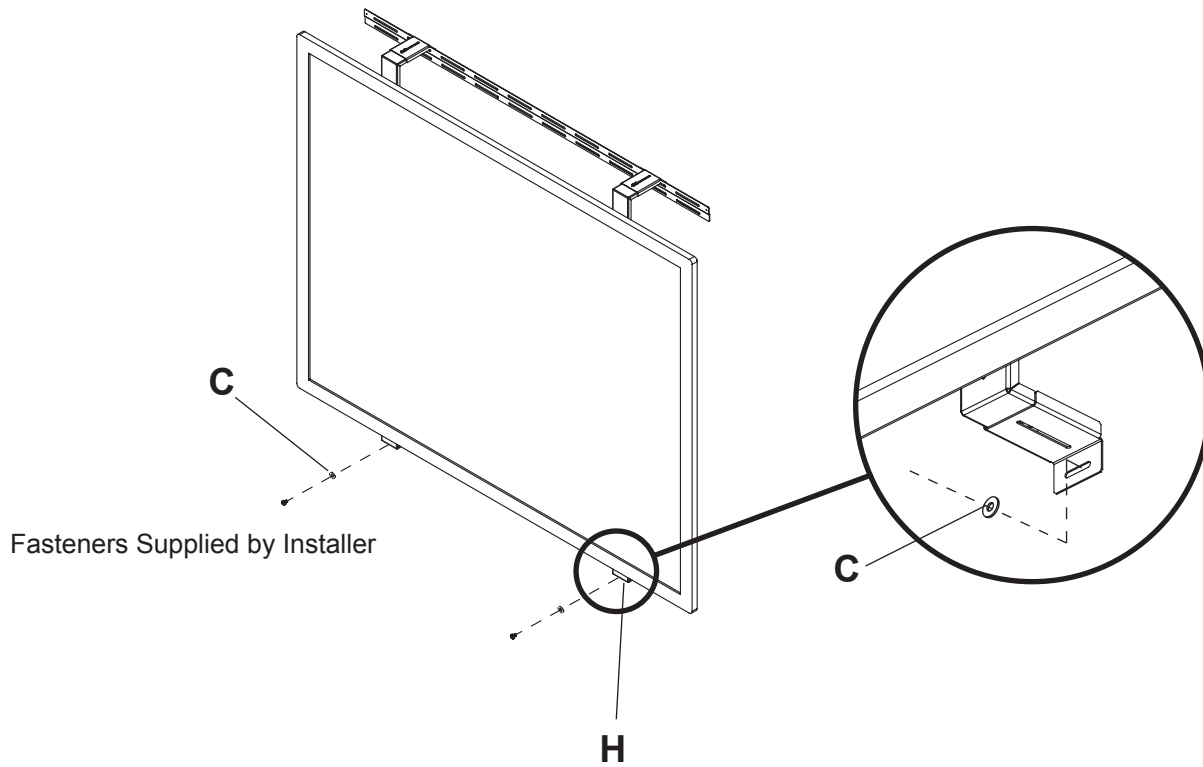
- 4** Hook vertical brackets (**B**) to wall bracket (**A**) and secure using two M5 x 8 mm phillips screws (**O**) as shown in detail 7.



- 5** Hook ActivBoard onto top and bottom support bracket (supplied with ActivBoard) as shown in detail 8.
SKIP TO PAGE 13



- 8** Secure bottom depth adjusting bracket (**H**) to mounting surface using screws provided by installer, and 1/4 washers (**C**) if required as shown below.



- 9** Loosen eight M5 x 8 mm phillips screws (**O**) installed in step 2 and adjust to desired depth. Retighten all fasteners.

