

10-24" /
25-61cm

Max
10kg
[22lbs]
Monitor mount

Max
20kg
[44lbs]
Keyboard Tray

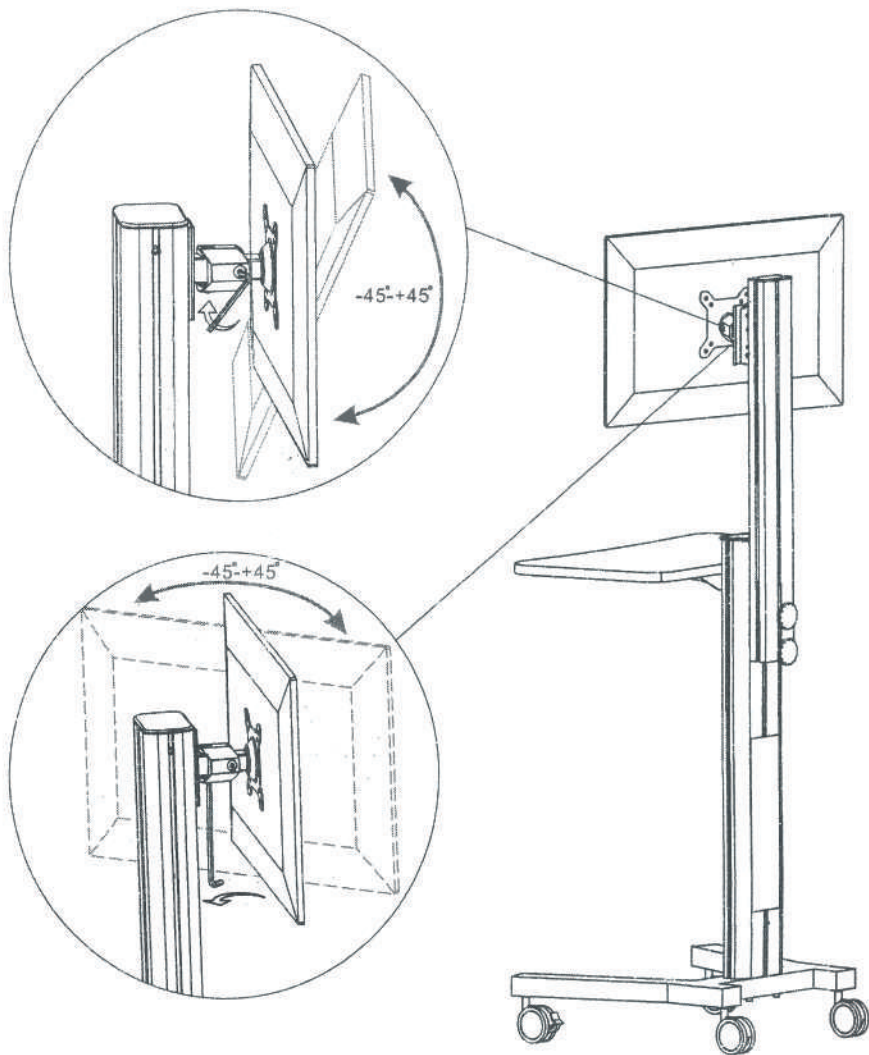




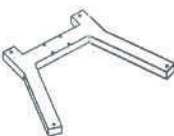

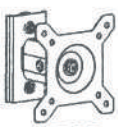





75/100












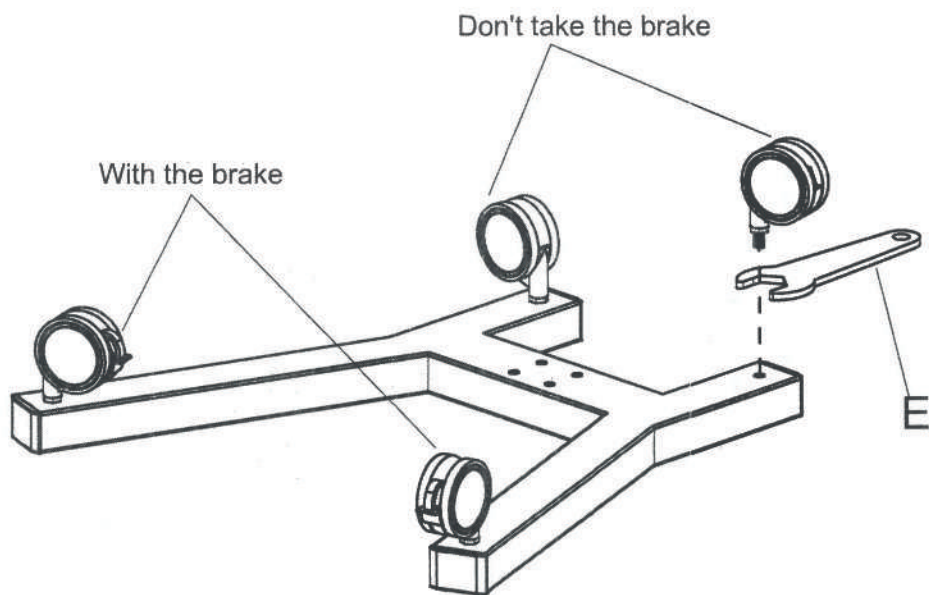
The angle adjustment of monitor should be by Allen Wrench, It cannot pull with your hands directly.



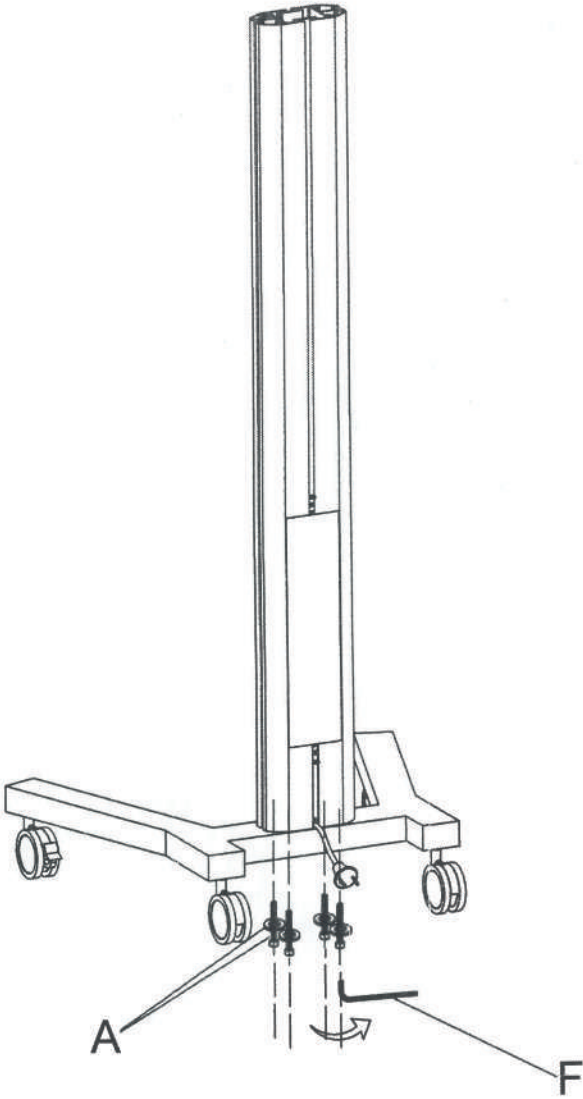
 2PCS	 1PCS	 1PCS	 1PCS
 1PCS	 1PCS	 1PCS	 2PCS
 2PCS	 1PCS		

<p>A</p>  <p>M8X65 4PCS</p> <p>M8 4PCS</p>	<p>B</p>  <p>1PCS</p> <p>M6X10 2PCS</p>	<p>C</p>  <p>M4X15 4PCS</p> <p>M5X15 4PCS</p> <p>M6X25 4PCS</p>	<p>D</p>  <p>M4 4PCS</p> <p>M5 4PCS</p> <p>M6 4PCS</p>	<p>E</p>  <p>17mm 1PCS</p>
<p>F</p>  <p>6mm 1PCS</p> <p>5mm 1PCS</p> <p>4mm 1PCS</p> <p>3mm 1PCS</p>		<p>G</p>  <p>1PCS</p> <p>M8X55 2PCS</p> <p>M8 2PCS</p>		

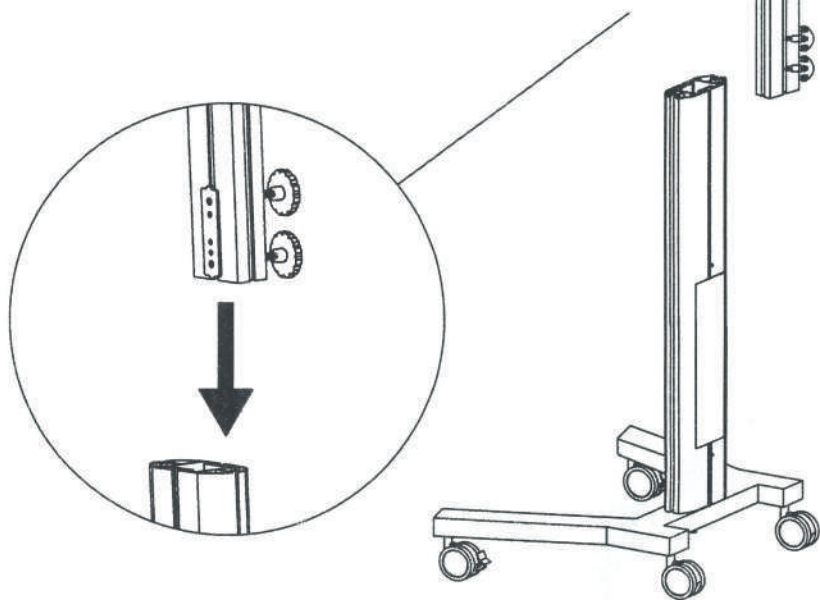
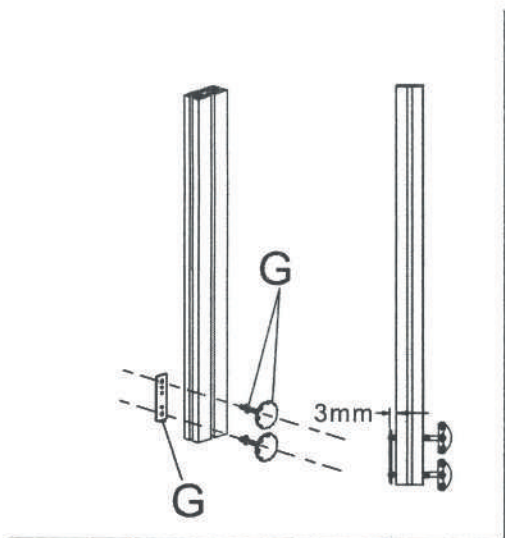
1



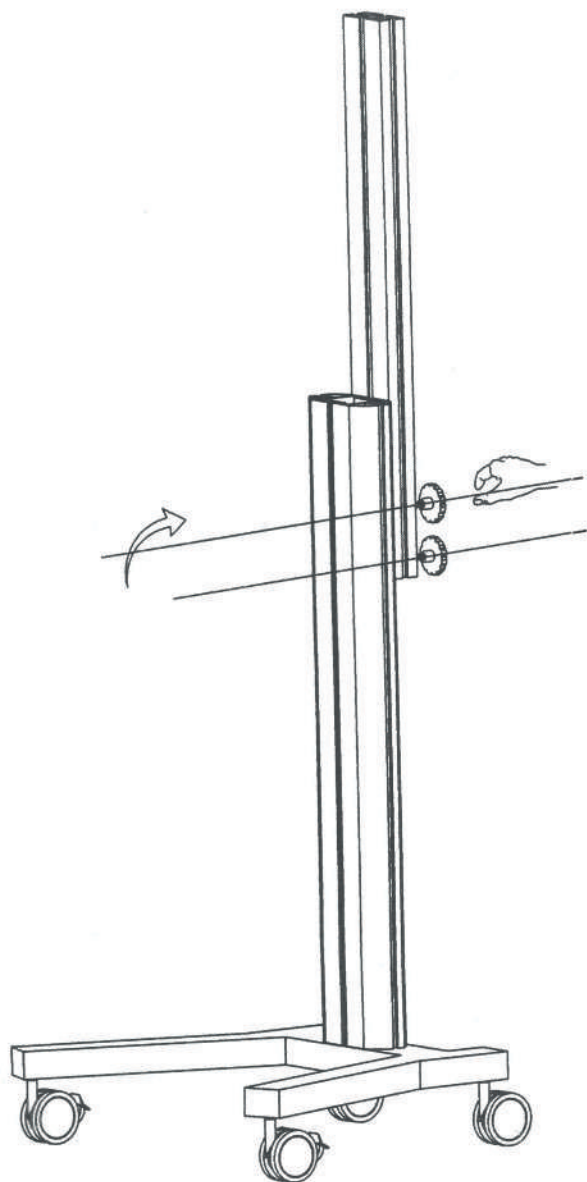
2



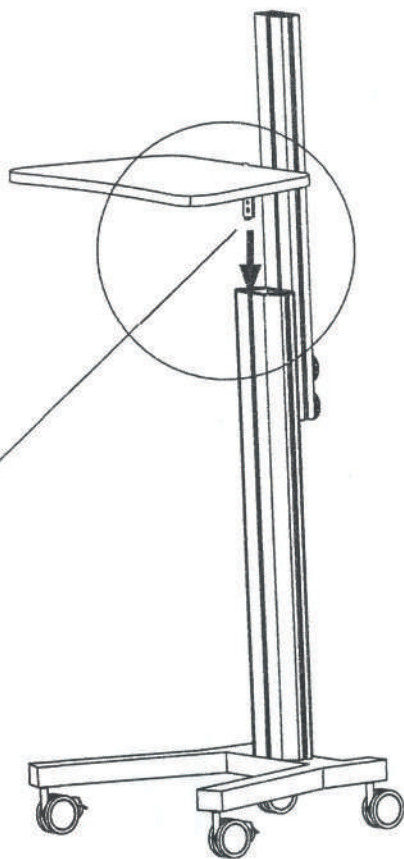
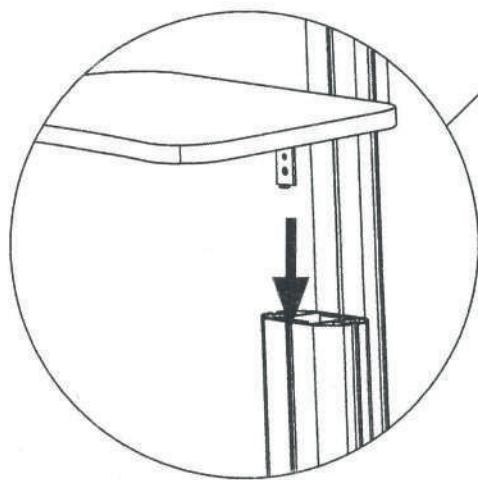
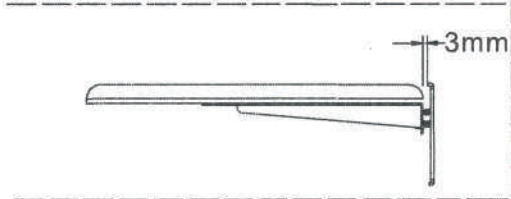
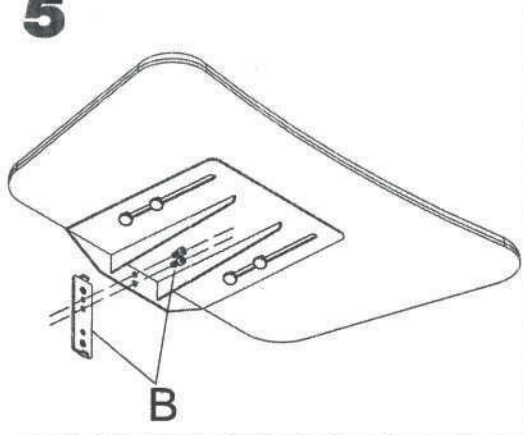
3



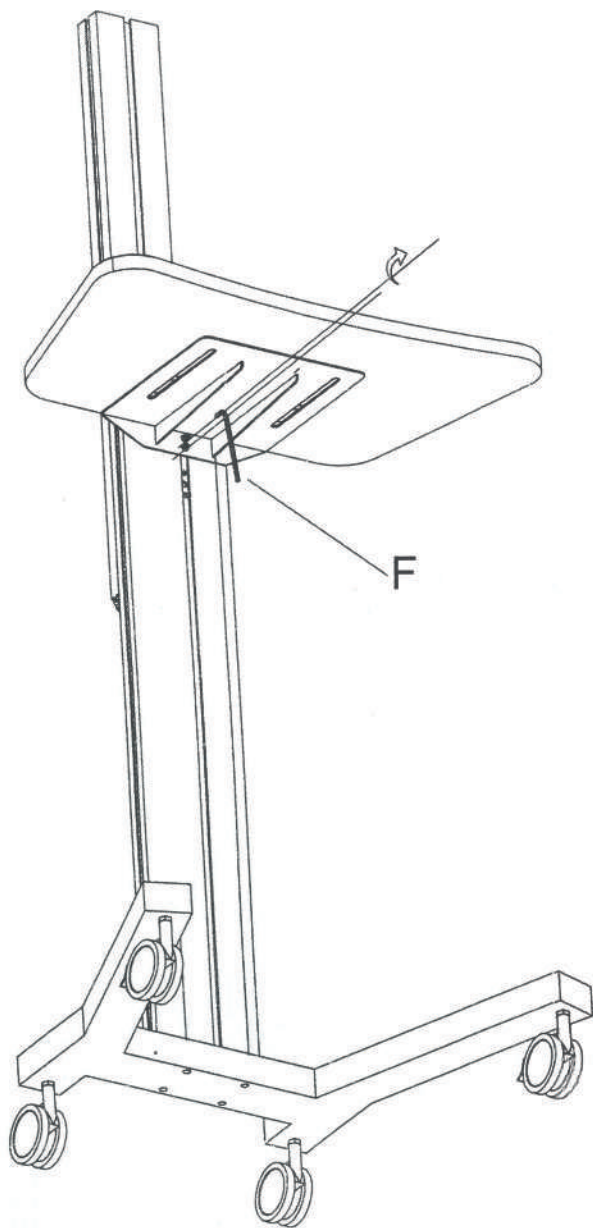
4



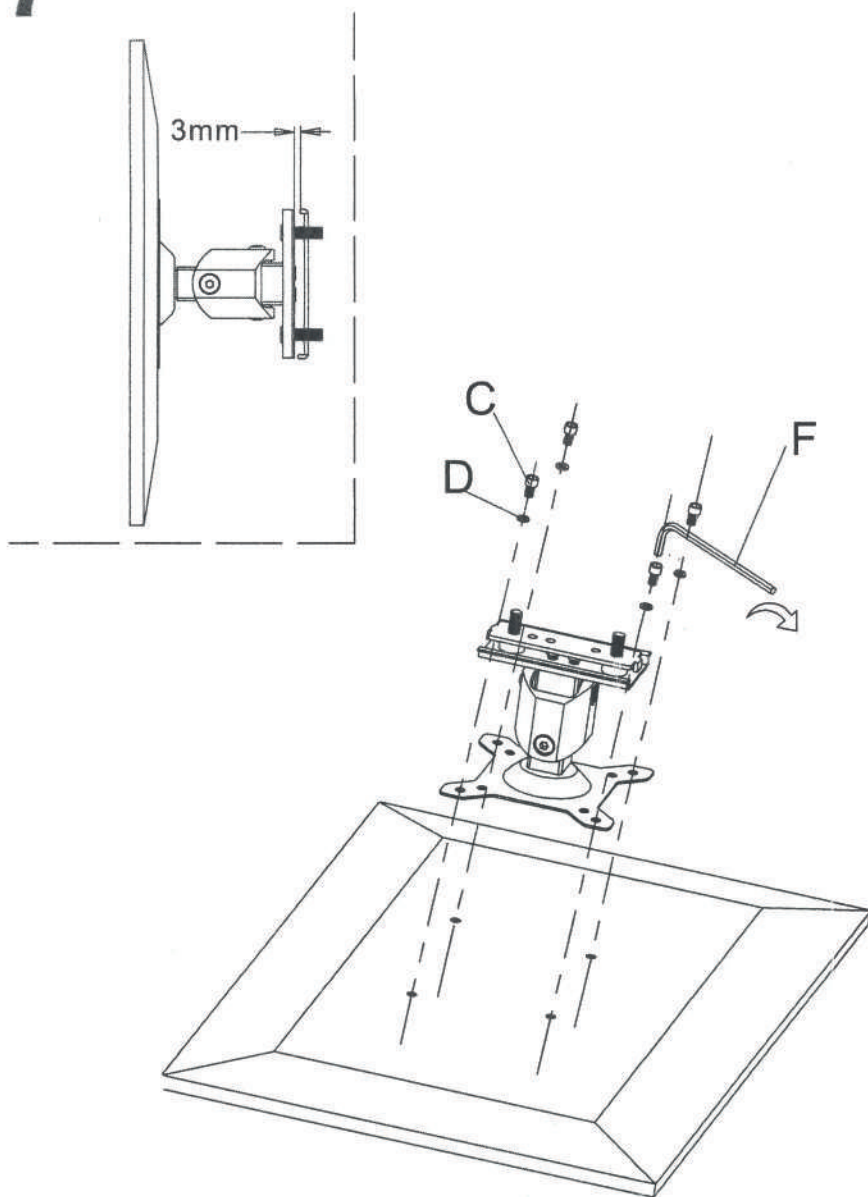
5



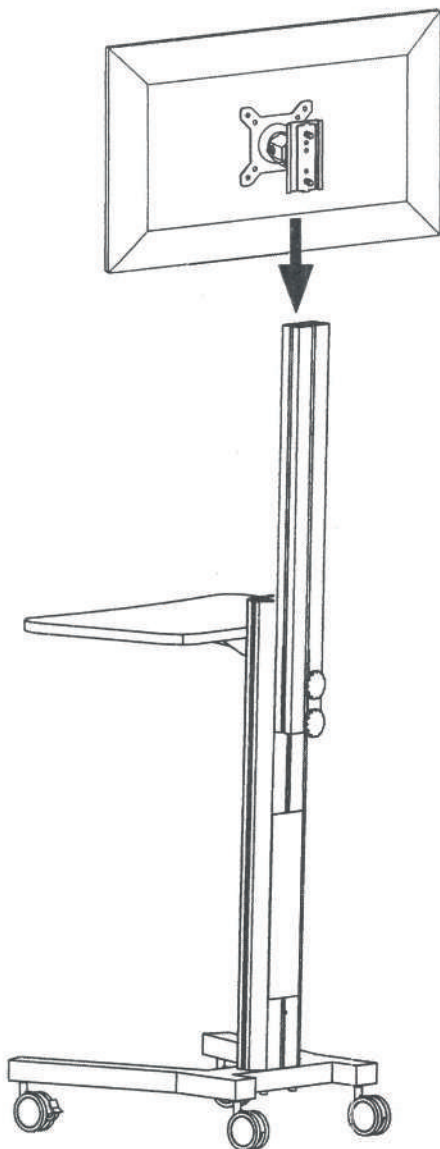
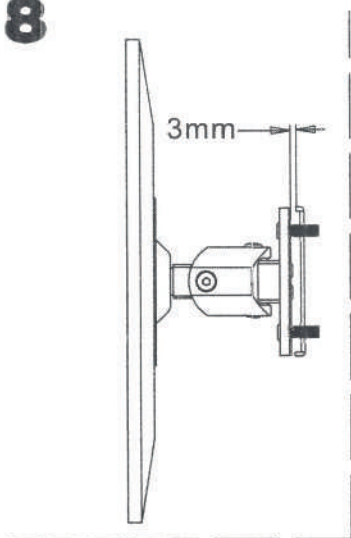
6



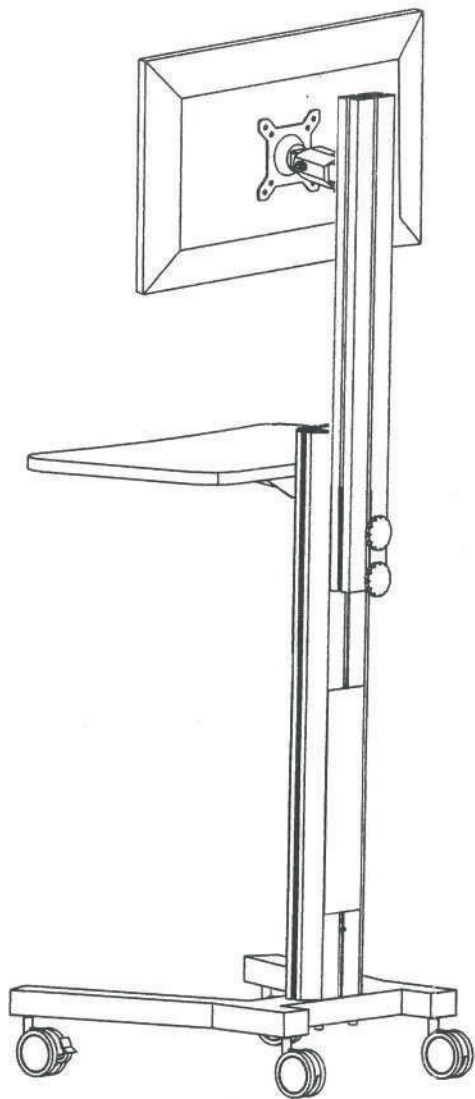
7



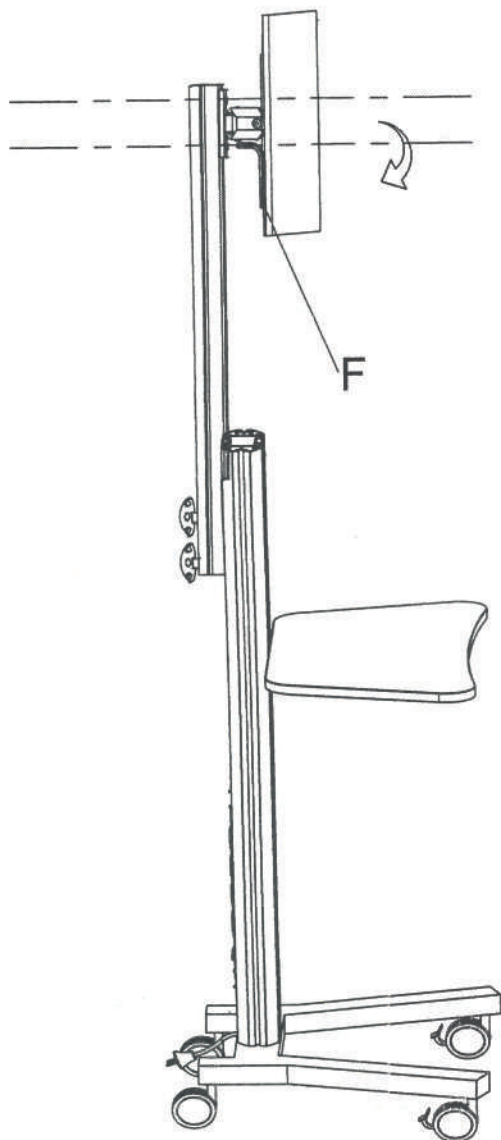
8



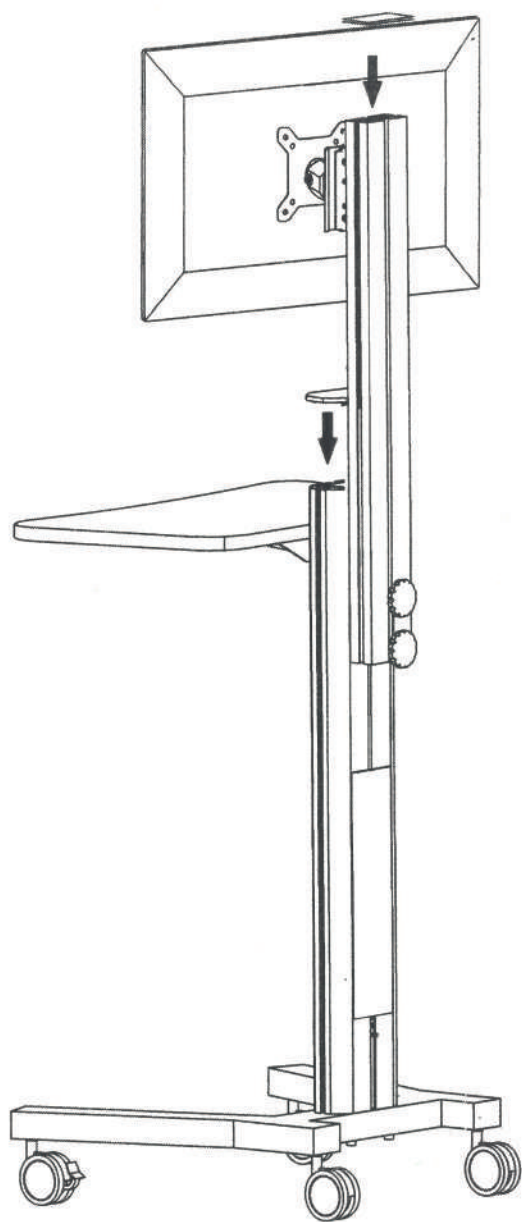
9



10



11



12

