

KL540-S

Indoor Digital Signage/Kiosk Enclosure – Landscape

Fits most 40" Ultra-thin LCD Displays



Make a statement with Peerless-AV's sleek digital signage kiosk enclosure. Designed to best support 40" ultra-thin LCD displays, this kiosk enclosure is sure to make an impact with its audience. Whether it's advertising, a digital directory, or wayfinding, this solution is an ideal fit for a corporate campus, college/university campus, hospital, retail store, shopping mall and more.



Display size: up to 40"



Max load: 75lb (34kg)

FEATURES

- Designed for 40" ultra-thin LCD displays to accentuate slim design and large screen real estate (Samsung ME40A, others)
- Supports a wide range of aesthetic options including multiple colors, acrylic trim, vinyl wraps, etc. to best match the environment's look and feel or promote a brand strategy
- Hinged top frame offers easy access to the display and other internal components for easy maintenance and enhanced security
- Keyed rear door offers convenient access to a media player for easy maintenance
- Eight points of tool-less adjustment quickly positions the display in the kiosk window for flush alignment
- Minimal assembly is required for a simplified installation
- Base can be free standing or bolted to the floor to increase security
- Other options include cooling fans, speakers, beveled top frame to best meet client needs



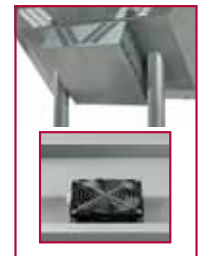
Slim design



Toolless micro adjustment



Keyed rear door access - media player



Optional cooling fan and large media player storage



Model Numbers

WARRANTY: Limited 5-year

KL540-S Indoor Digital Signage/Kiosk Enclosure – Landscape; Fits most 40" Ultra-thin LCD Displays

Product Specifications

	DIMENSIONS (W x H x D)	PRODUCT WEIGHT	LOAD CAPACITY	FINISH	AVAILABLE COLORS
KL540-S	41.5" x 54.44" x 22.87" (1054 x 1383 x 581mm)	126lb (57kg)	75lb (34kg)	Powder Coat	Silver

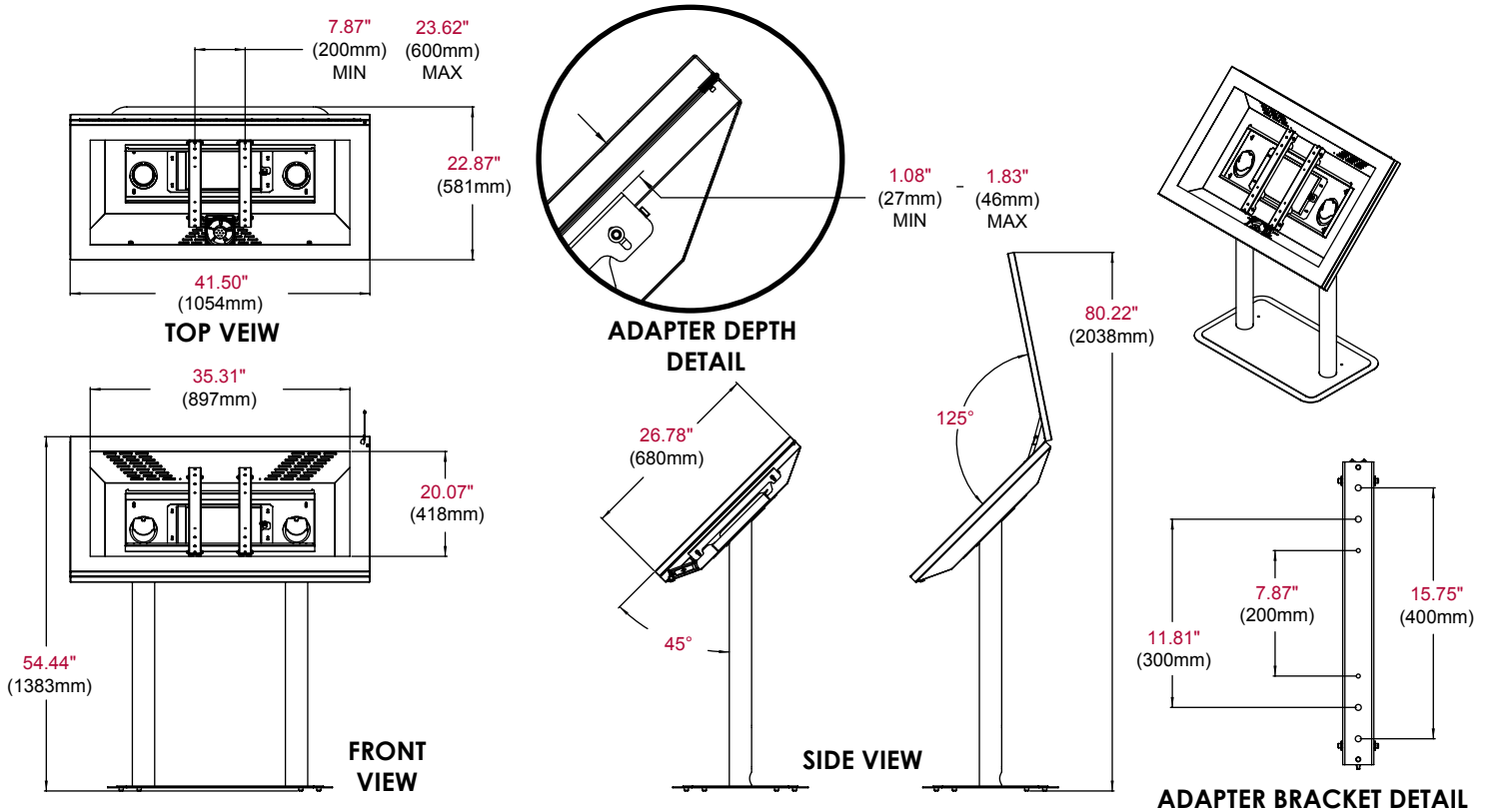
Package Specifications

	PACKAGE SIZE (L x W x H)	PACKAGE SHIP WEIGHT	PACKAGE UPC CODE	PACKAGE CONTENTS	UNITS IN PACKAGE
KL540-S	51.25" x 32.0" x 11.5" (1302 x 813 x 292mm)	136lb (62kg)	735029283270	Base, legs, top, adapter rails and mounting hardware	One (1)

Accessories

ACC-F100: Cooling fan
ACC-MS40: Large media storage attachment

All dimensions = inch (mm)



ARCHITECTS SPECIFICATIONS

The Indoor Digital Signage/Kiosk Enclosure – Landscape shall be a Peerless-AV model KL540-S and shall be located where indicated on the plans. Assembly and installation shall be done according to instructions provided by the manufacturer.

Peerless Industries, Inc. ■ 2300 White Oak Circle ■ Aurora, IL 60502 ■ (800) 865-2112 ■ (630) 375-5100 ■ Fax: (800) 359-6500 ■ peerless-av.com

Visit www.peerless-av.com to see the complete line of AV solutions from Peerless-AV, including flat panel mounts, projector mounts, carts/stands, furniture, cables, screen cleaners and a full assortment of accessories.