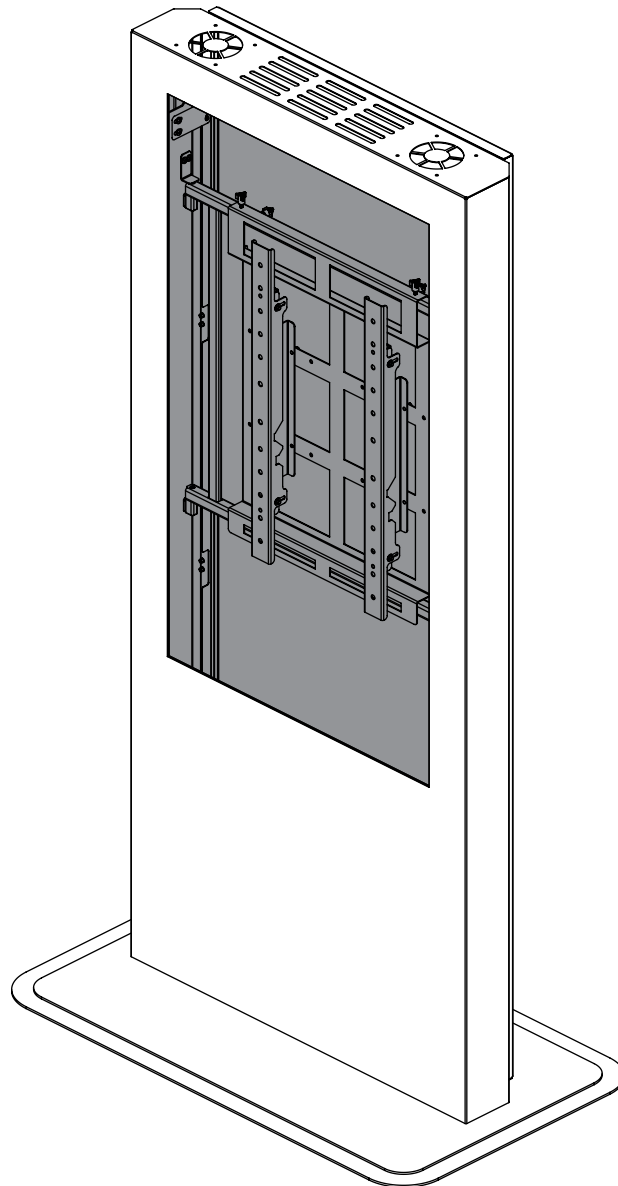




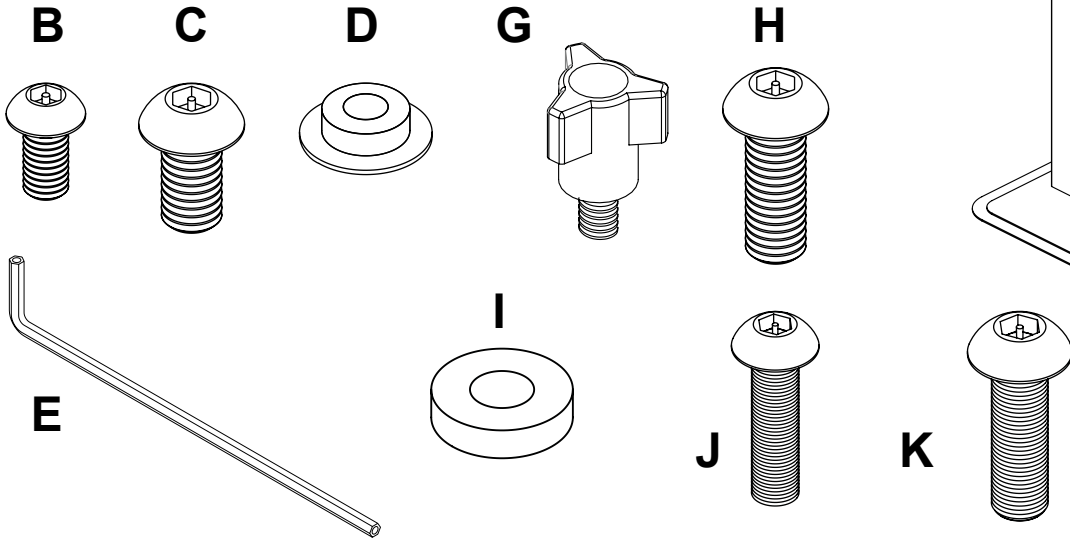
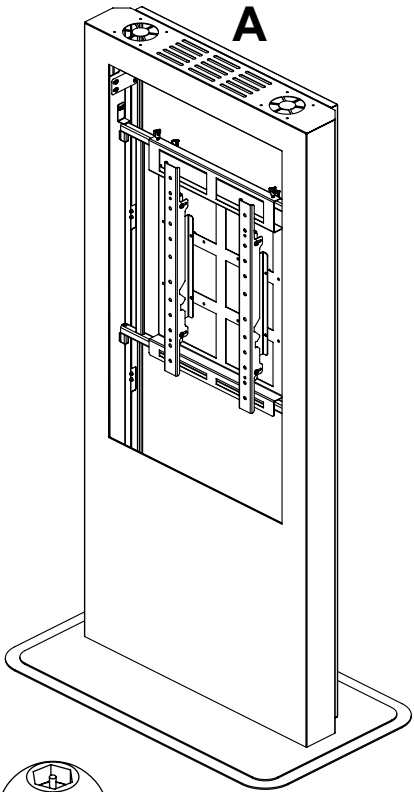
Installation and Assembly: Indoor Digital Signage/Kiosk Enclosure - Portrait Fits Most 55" Ultra-thin LCD Displays

Model: KP555-S, KP555-AB, KP555-AW



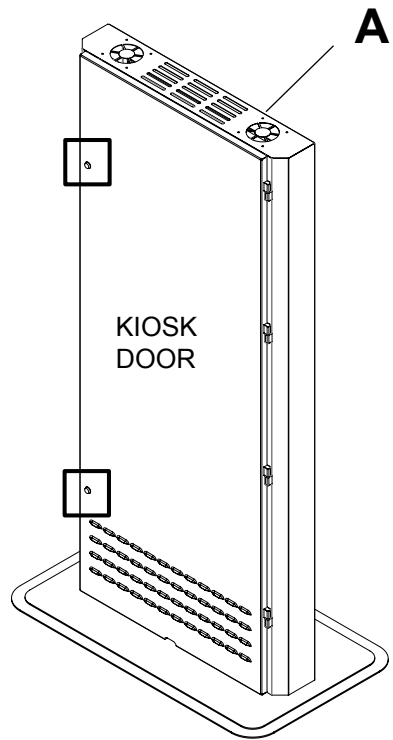
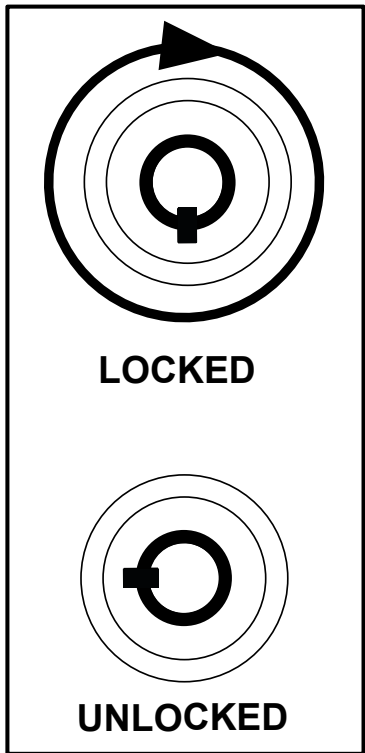
**Maximum Load Capacity:
75 lb (28 kg)**

Parts List		KP555-S	KP555-AB	KP555-AW
Description	Qty.	Part #	Part #	Part #
A kiosk assembly	1	145-F4619	145-S1619	145-S2619
B M6 x 12 mm socket pin screw	4	520-1050	520-1050	520-1050
C M8 x 15 mm socket pin screw	4	520-1068	520-1068	520-1068
D nylon shoulder washer	4	590-2233	590-2233	590-2233
E 4 mm allen wrench	1	560-9646	560-9646	560-9646
F key (not shown)	2	565-0052A	565-0052A	565-0052A
G knob	4	560-1162	560-1162	560-1162
H M8 x 20 socket pin screw	4	520-1120	520-1120	520-1120
I plastic washer	4	540-1002	540-1002	540-1002
J M6 x 25 mm socket pin screw	4	520-1211	520-1211	520-1211
K M8 x 25 mm socket pin screw	4	520-1101	520-1101	520-1101

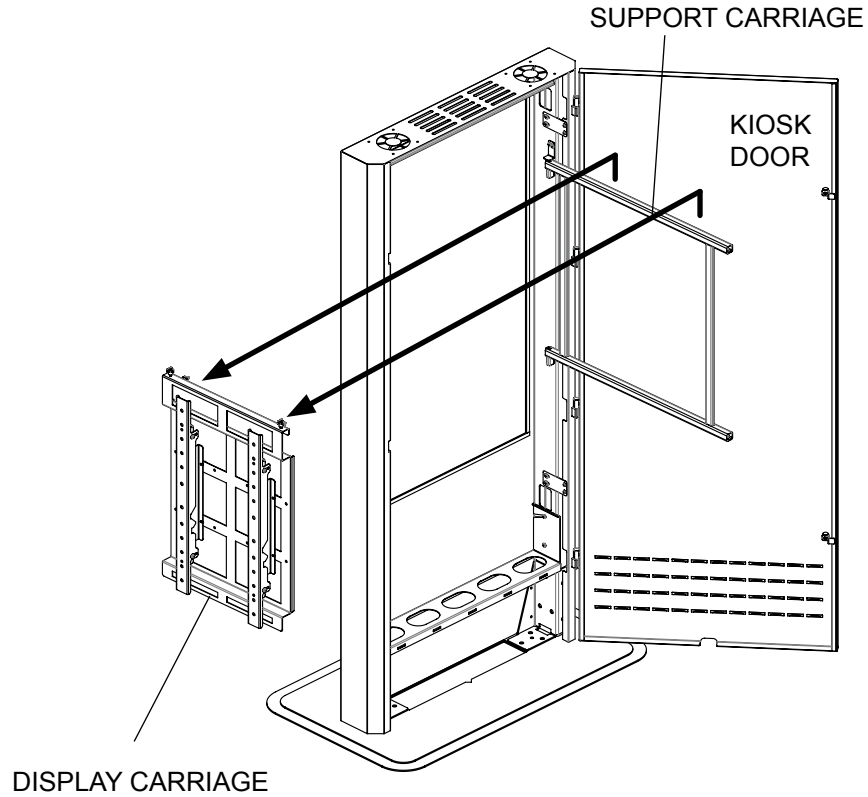


1 Insert keys (F) and turn clockwise to unlock kiosk door as shown in Detail 1.

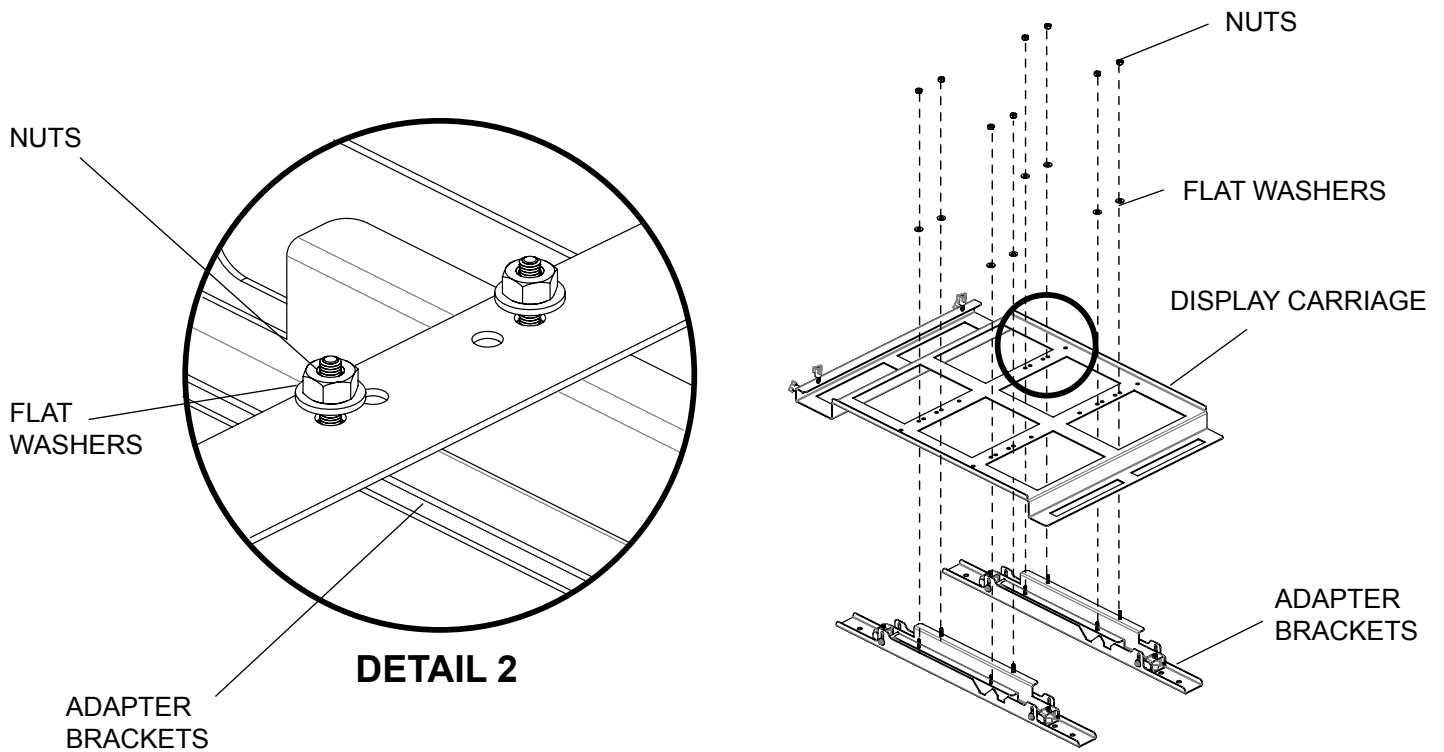
DETAIL 1



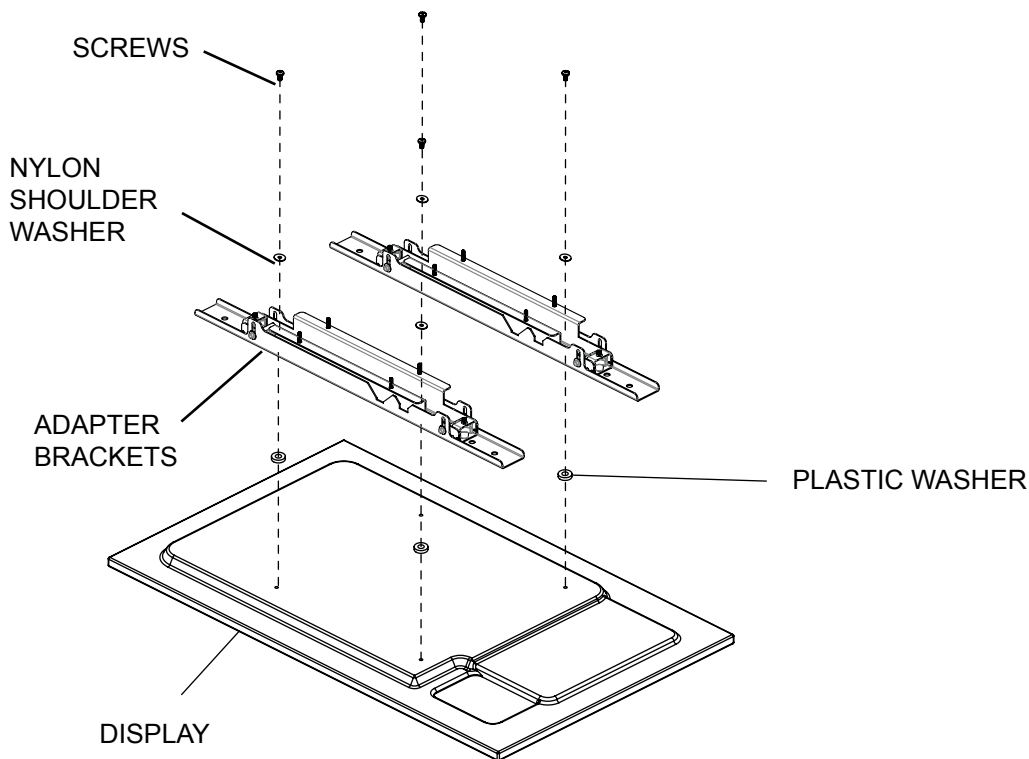
- 2** Swing open kiosk door as shown.
 Swing open support carriage as shown.
 Cut zip ties and remove display carriage.



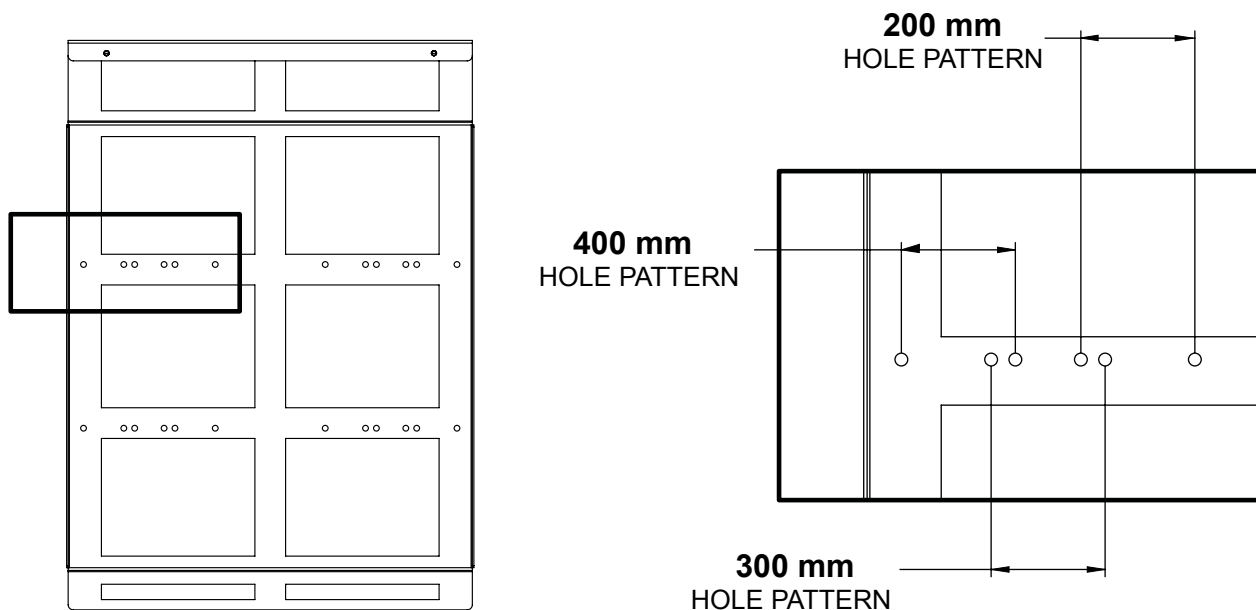
- 3** Remove nuts and flat washers that secure adapter brackets to display carriage as shown in Detail 2.



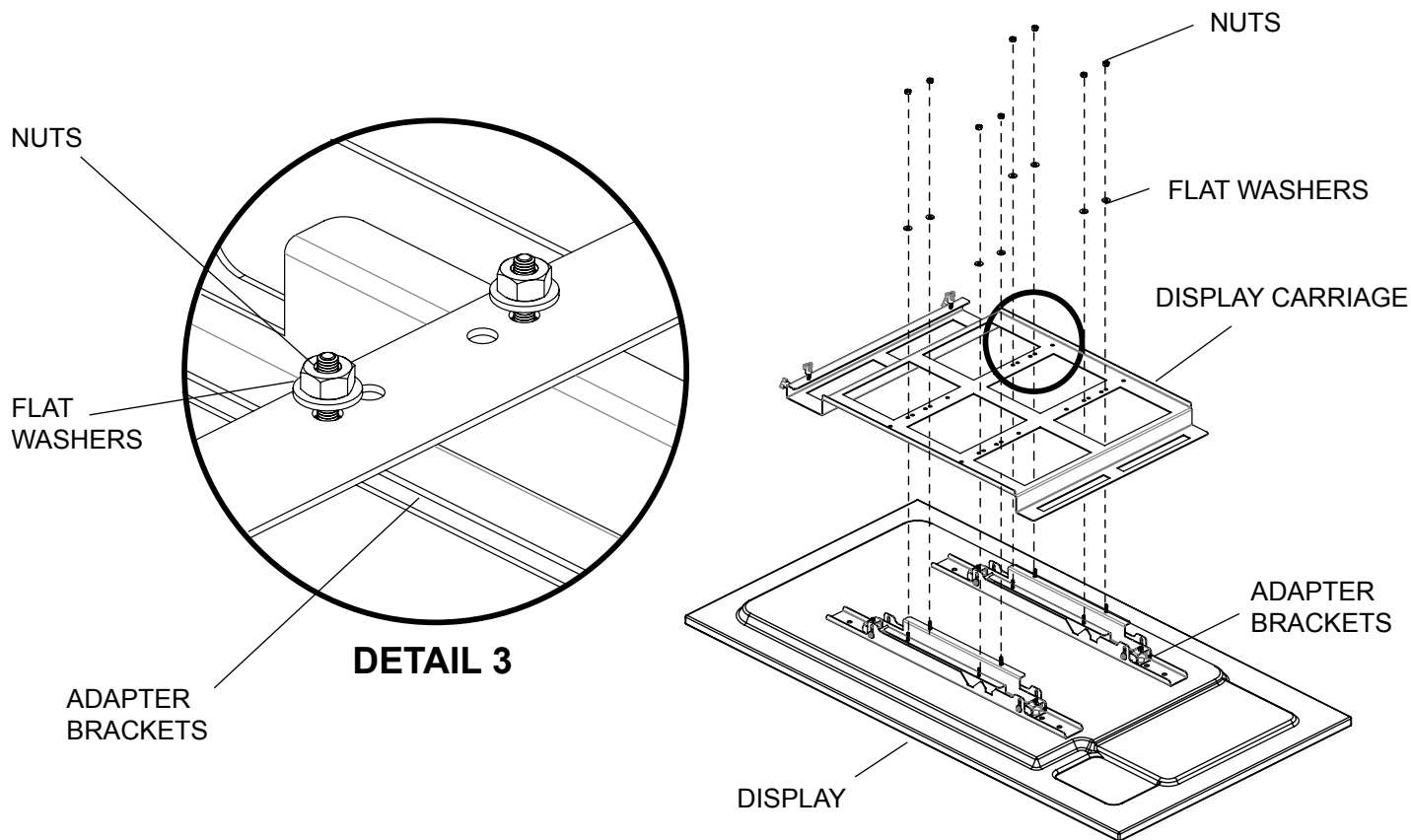
- 4** Begin with the shortest length screw, hand thread through nylon shoulder washers and tilt bracket into display as shown below. Screw must make at least three full turns into the mounting hole and fit snug into place. Do not over tighten. If screw cannot make three full turns into the display, select a longer length screw. Plastic washers can be used for display spacing as shown below. Repeat for remaining mounting holes, level brackets and tighten screws.



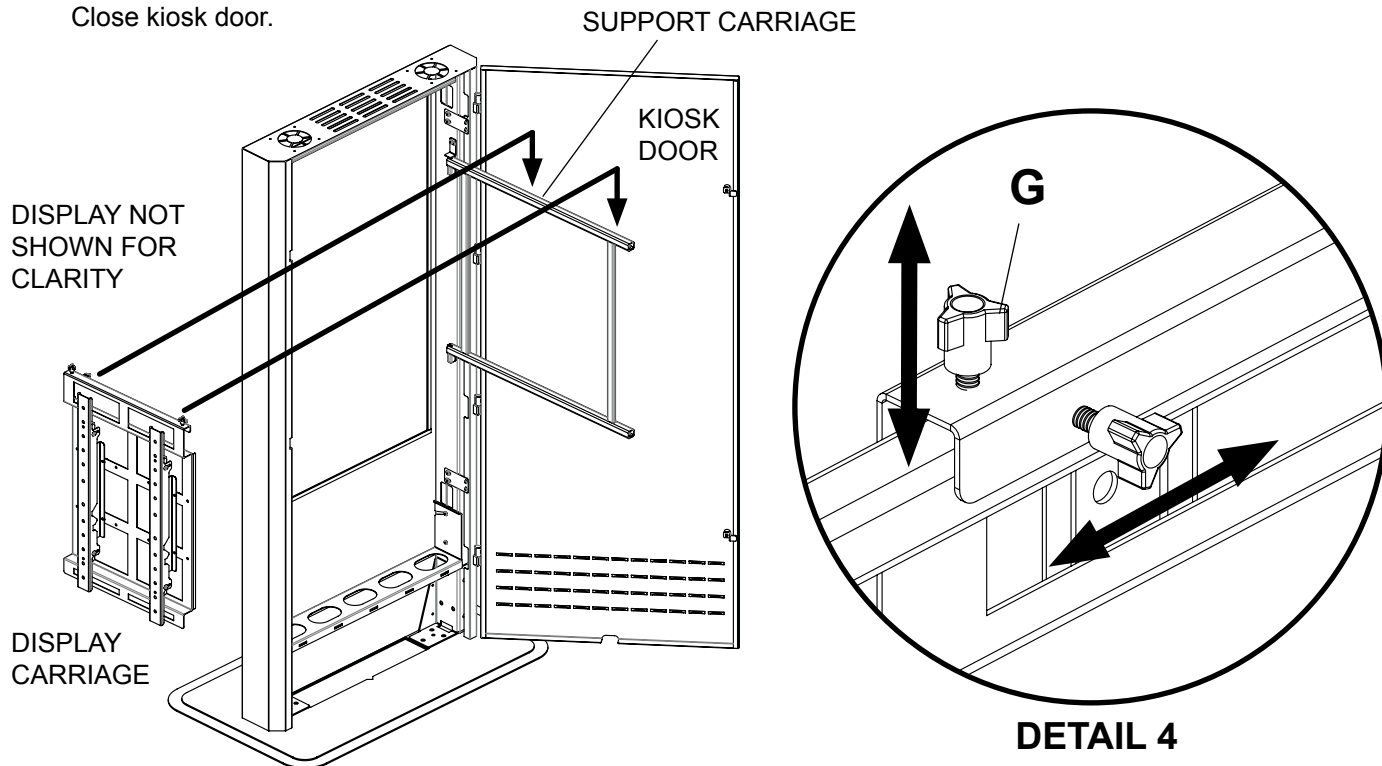
5 USE BELOW DETAIL TO DETERMINE ADAPTER BRACKET MOUNTING LOCATIONS



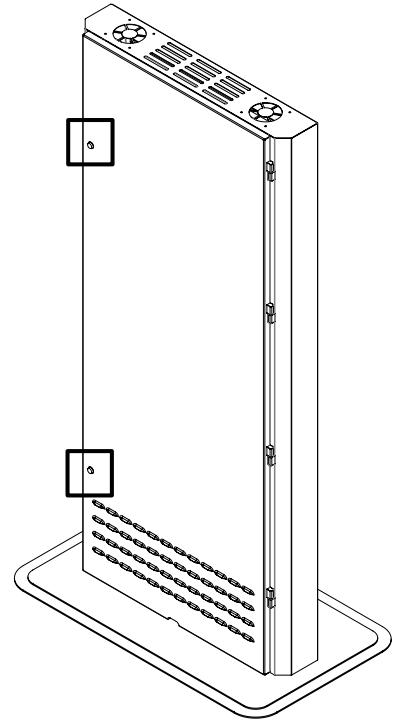
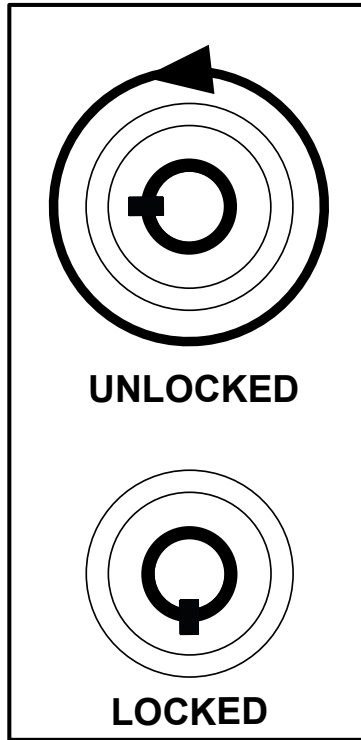
5 Attach adapter brackets to display carriage using nuts and flat washers as shown in Detail 3.



6 Hook display carriage onto support carriage and secure using four knobs (G) as shown in detail 4. Close support carriage. Display carriage can be adjusted horizontally and vertically by tightening or loosening four knobs (G) as shown in Detail 4. Close kiosk door.



- 7** Insert keys (F) and turn counter-clockwise to lock kiosk door.



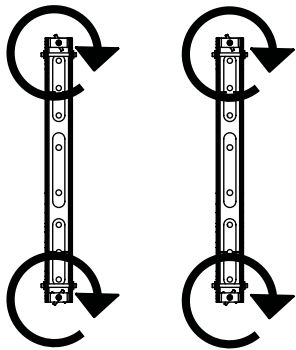
Adapter Assembly Adjustment

- 8** Use legend below to determine position of display.
NOTE: Each knob can be adjusted independently for fine tuning adjustments.

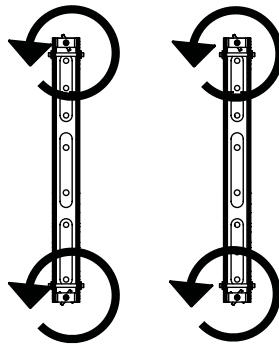
 Turn knob **CLOCKWISE** to tighten

 Turn knob **COUNTER-CLOCKWISE** to loosen

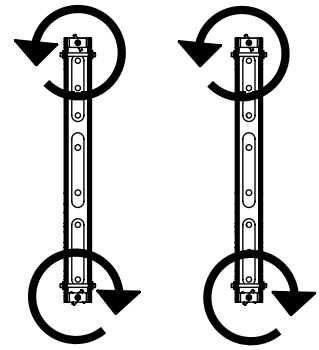
IN



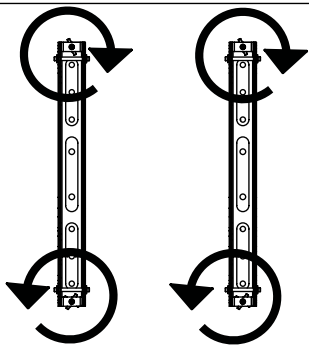
OUT



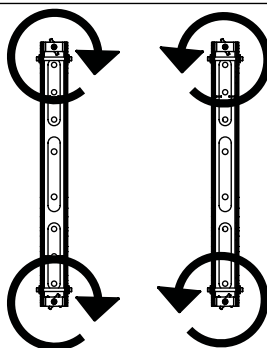
TILT FORWARD



TILT BACKWARD



TILT RIGHT



TILT LEFT

