



LC21HS INTERCOM HANDSET

Installation Instructions

INTRODUCTION

The LC21HS handset is an optional component of the LANcom SCS system. It may be used with either the LC331IC or the LC372SR communications modules. It allows an intercom call to switch from public mode to private mode by transferring the room microphone and loudspeaker to the handset for the duration of the call. The overhead loudspeaker is disconnected automatically when the handset is lifted from its cradle. The LANcom SCS system restores the loudspeaker operation when the handset is returned to the cradle or when a *public mode* announcement is made or bell signal is played.

The LC21HS features a contemporary style handset with integral coiled cord and a hook switch, mounted on a 2-gang plate. The handset connects to the communications module by way of CAT5 or better structured cable, terminated in RJ-45 connectors.



Figure 1 - LC21HS Front View

IMPORTANT SAFETY INSTRUCTIONS

1. Read these instructions.
2. Keep these instructions.
3. Heed all warnings.
4. Follow all instructions.
5. Do not use this apparatus near water.
6. Clean only with dry cloth.
7. Install in accordance with the manufacturer's instructions.
8. Do not install near any heat sources such as radiators, heat registers, stoves, or other apparatus (including amplifiers) that produce heat.
9. Only use attachments/accessories specified by the manufacturer.
10. Refer all servicing to qualified service personnel. Servicing is required when the apparatus has been damaged in any way, such as power-supply cord or plug is damaged, liquid has been spilled or objects have fallen into the apparatus, the apparatus has been exposed to rain or moisture, does not operate normally, or has been dropped.

SAFETY SYMBOLS

Labeling on products and the *Installation Instructions & User Manual* may use safety related graphical symbols as shown below to note safety requirements.



Lightning Bolt: The lightning flash with arrowhead symbol, within an equilateral triangle, WARNING symbol, is intended to alert the user to the presence of un-insulated **dangerous voltage** within the product's enclosure that may be sufficient in magnitude to constitute a risk of electric shock to persons or domestic animals.



Exclamation Point: The exclamation point within an equilateral triangle, CAUTION symbol, is intended to alert the user to the presence of important operating and maintenance (servicing) instructions, or a hazard that can damage equipment.

Do not proceed beyond a WARNING or CAUTION notice until you have understood the hazardous condition and have taken appropriate steps.

CONNECTIONS

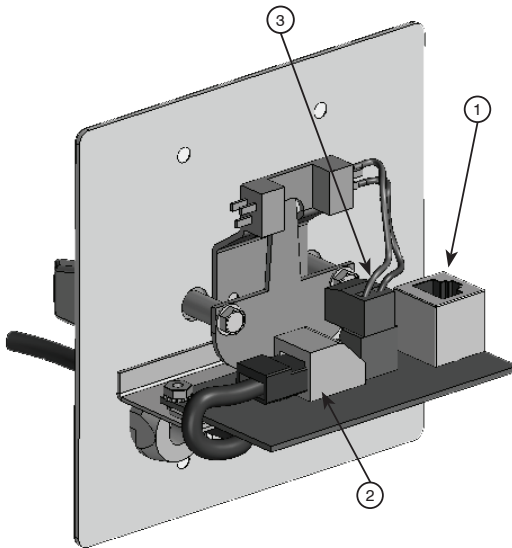


Figure 2 - LC21HS Rear View

1. Output RJ45 Connector

This connector is used to send and receive audio between the handset and an LC372SR or LC3311C. It also provides phantom power to the handset microphone. See Table 1 for the connector wiring details.

2. Input RJ25 Connector

This input connector is used to connect the 6-conductor cord of the handset to the wall plate.

3. Hookswitch Input Connector

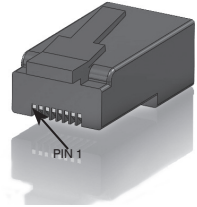
This 2-position euro-style connector is used to connect the hookswitch to the circuit board and transmit the switch status to the output RJ45 connector.

RJ45 Connector Wiring

The LC21HS connects to an LC372SR Sound Reinforcement Module or LC331IC Integrated Communications Module using CAT5 or better structured cable. Each connector should be wired as shown in Table 1.

Pin	Function	Cat5 Color Code
1	Handset Mic Output +	Orange /W
2	Handset Mic Output -	Orange
3	Hookswitch Out	Green /W
4	Handset Earphone Input +	Blue
5	Handset Earphone Input -	Blue/W
6	Hookswitch Out	Green
7	+48 VDC	Brown /W
8	Ground	Brown

Table 1 - RJ45 Connector Wiring



Specifications

Electrical

Power Requirements +48VDC
 Supplied by LC372SR or LC331IC

Mechanical

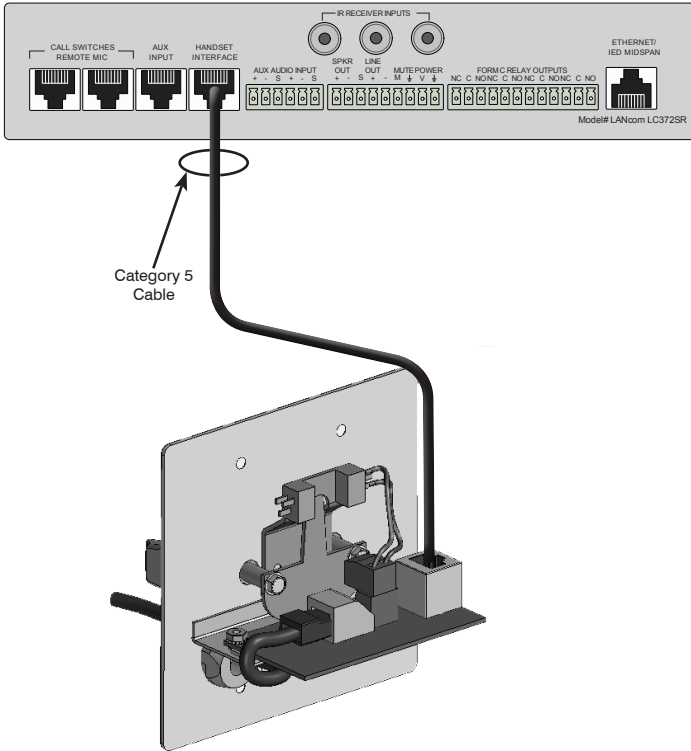
Dimensions 4.5" W x 4.5" H x 2.39"
 (114mm W x 114mm H x 61mm D)
 Height (overall) 9.5" (241mm)
 Projection in Front of Plate with Handset 3" (76mm)
 Mounting 4" x 4" deep box with extension ring and 2-gang mounting ring
 Recommended Electrical Box Steel City 52151-1/2-3/4, 53151-1/2 and 52C17-25 or equal

Connections

Audio and Control Out RJ-45

CONNECTION DIAGRAM

LC372SR (shown) or LC331C



Innovative Electronic Designs, LLC
9701 Taylorsville Road
Louisville, KY 40299, USA

+1.502.267.7436 phone
+1.502.267.9070 fax
www.iedaudio.com

