

LCT620AT-G



Monitor size
up to 24"



Max load
8.4 to 17.8lb
(3.8 to 8.1kg)

Triple Monitor Desktop Arm Mount

FOR UP TO 24" MONITORS

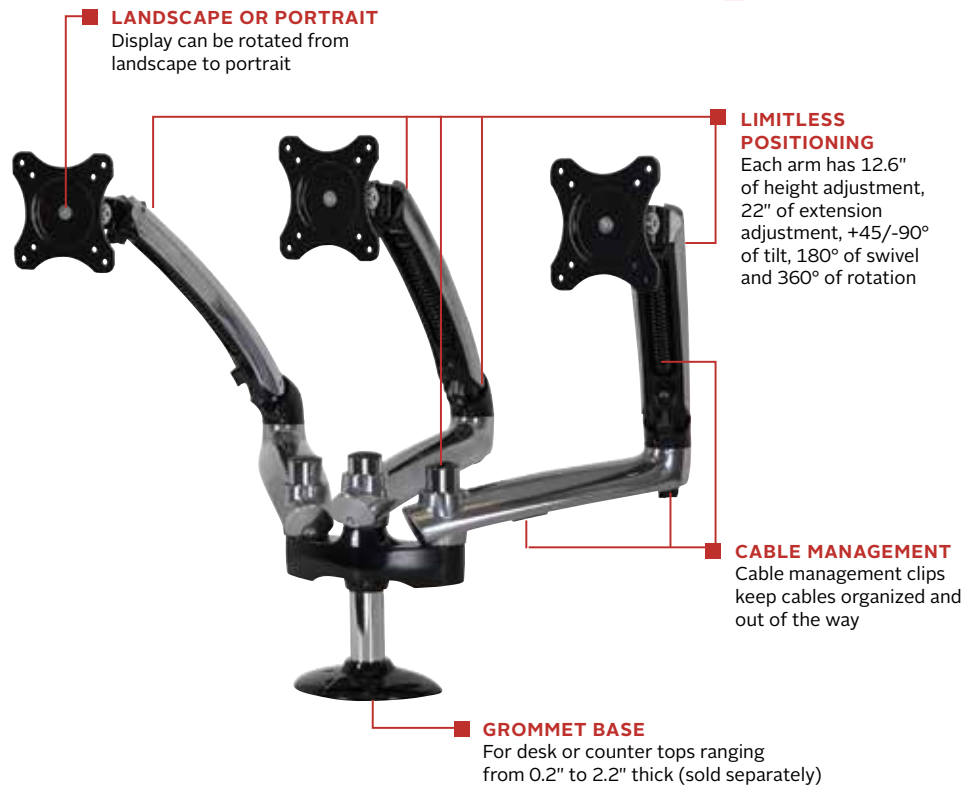
The LCT620AT-G Desktop Monitor Mount features three attractive height adjustable articulating arms that provide perfect ergonomics with optimum monitor positioning for virtually all users. The grommet mounting base provides limitless mounting options on any desktop or countertop surface between ½" to 2" (12 to 55mm) thick.

Peerless-AV's desktop monitor mounts offer flexible monitor positioning, so the proper viewing angle can be found for all users.



Additional Features

- ✓ Articulating arms allow monitors to be adjusted to the perfect ergonomic position to help reduce eye, back and neck strain
- ✓ Accommodates different monitor weights ranging from 8.4 to 17.8lb (3.8 to 8.1kg)
- ✓ Smooth and effortless arm movement provided by bushings at all pivot points
- ✓ Compatible with VESA® 75 x 75mm and 100 x 100mm mounting patterns
- ✓ Mounting base accommodates desktop and counter thickness of 0.2" to 2.2" (5-55mm) thick
- ✓ Expertly finished polished aluminum arm and black base with chrome pole
- ✓ Integrated cable management provides clean, professional installation finish



LCT620AT-G's Grommet base works with through holes in the desk or counter top



Cable management keeps a clean appearance



Model Numbers

WARRANTY: Limited 5-year

LCT620AT-G Triple Monitor Desktop Arm Mount for up to 24" Monitors

Product Specifications

	DIMENSIONS (W X H X D)	PRODUCT WEIGHT	LOAD CAPACITY	FINISH	AVAILABLE COLORS
LCT620AT-G	(See Drawing)	29.26lb (13.3kg)	8.4 to 17.8lb (3.8 to 8.1kg) per arm	High Gloss	Polished Aluminum with Black base and accents

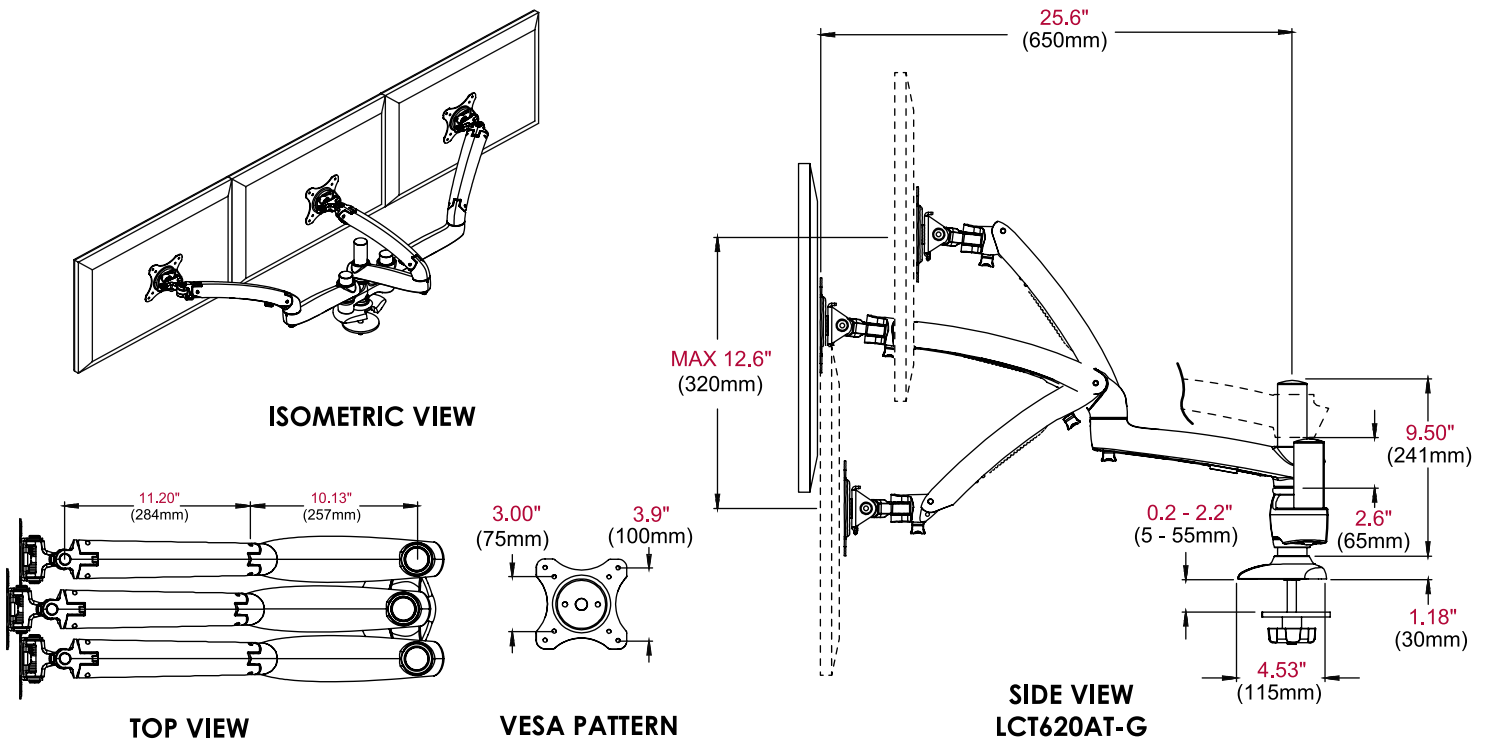
Package Specifications

	PACKAGE SIZE (W x H x D)	PACKAGE SHIP WEIGHT	PACKAGE UPC CODE	PACKAGE CONTENTS	UNITS IN PACKAGE
LCT620AT-G	17.40" x 17.64" x 16.69" (442 x 448 x 424mm)	30.36lb (13.8kg)	735029304005	Base with Pole, 3 Arms w/adaptors, Dual arm mount, Hardware & Mounting instructions	1

Accessories

ACC328:	Laptop Tray
ACC450:	VESA® 200 x 200mm Accessory Adaptor Plate
ACC918:	Security Fasteners
PTM200:	Universal Tablet Mount

All dimensions = inch (mm)



Architect Specifications

The Triple Monitor Desktop Arm Mount shall be a Peerless-AV model LCT620AT-G and shall be located where indicated on the plans. Assembly and installation shall be done according to instructions provided by the manufacturer.

Visit peerless-av.com to see the complete line of AV solutions from Peerless-AV, including outdoor displays, wireless, kiosks, digital audio, display mounts, projector mounts, carts/stands, and a full assortment of accessories.

Peerless-AV
2300 White Oak Circle
Aurora, IL 60502 USA

(800) 865-2112
(630) 375-5100
Fax: (800) 359-6500

Peerless-AV Europe
Unit 3 Watford Interchange
Colonial Way, Watford
Herts, WD24 4WP
United Kingdom
+44 (0) 1923 200100
Fax: +44 (0) 1923 200101

Peerless-AV de México
Ave de las Industrias 413
Parque Industrial Escobedo
Escobedo, N.L.,
Mexico 66050
+52 (81) 8384-8300
Fax: +52 (81) 8384-8360

peerless-AV®

LIT-1245