

LCZ-4F430B  
LCZ-4F4G30B

# Quad-Monitor Desktop Stand for up to 24" Monitors

This beautiful sleek desktop stand raises two displays off the desk surface, thus saving workspace and creating a productive display configuration to increase productivity. Adjust the height and position of the displays to the ideal viewing point. It is quick and simple with the adjustable locking system which allows the user to move and lock the displays freely along the vertical rail without using any tools.



## FEATURES

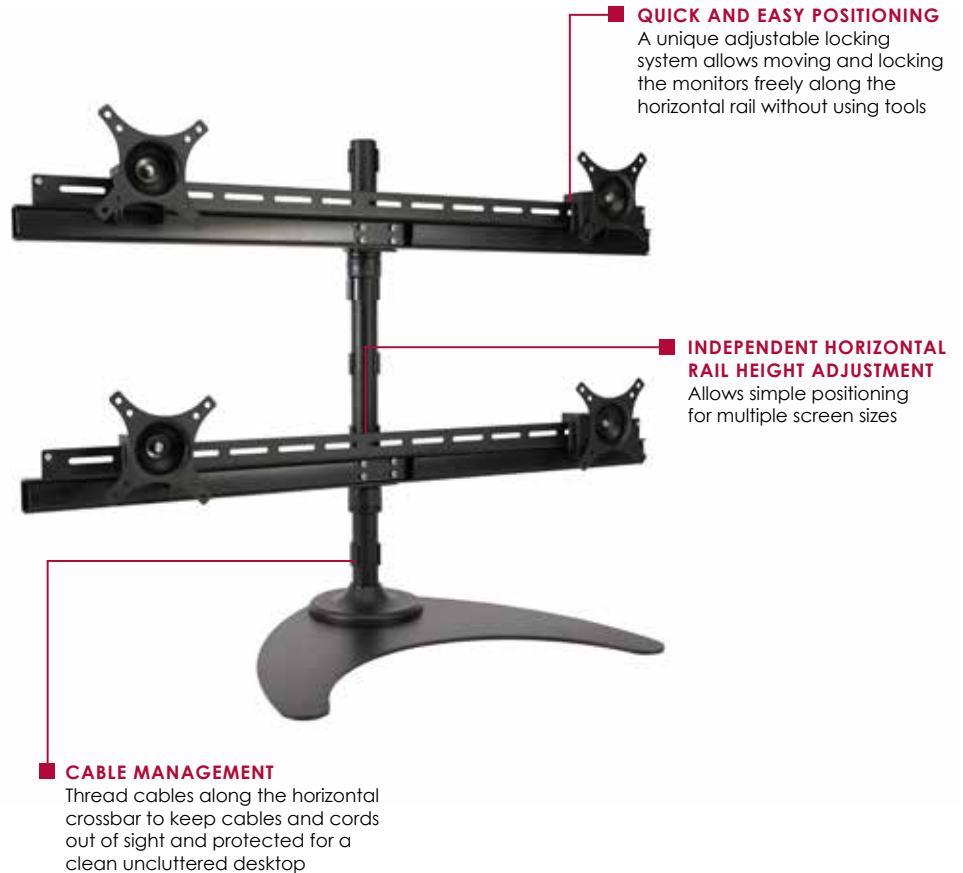
- Single stand designed to support four monitors saving desktop workspace
- Accommodates up to 24" monitors that measure 14"-30" (355-762mm) wide x 12"-17" (304-431mm) high
- Easy to assemble and requires minimal desktop space
- 75 and 100 VESA® mounting pattern



Display size: up to 24"



Max load: 79.2lb (35.9kg)  
Display (ea): 19.8lb (8.9kg)



Easy height adjustment



Move and lock monitors



Grommet mount  
LCZ-4F4G30B



**RoHS**  
COMPLIANT

## Model Numbers

**WARRANTY:** Limited 5-year

**LCZ-4F430B**

Quad-Monitor Desktop Stand for up to 24" Monitors

**LCZ-4F4G30B**

Quad-Monitor Stand with Grommet for up to 24" Monitors

## Product Specifications

	DIMENSIONS (W x H x D)	PRODUCT WEIGHT	LOAD CAPACITY	FINISH	AVAILABLE COLORS
<b>LCZ-4F430B</b>	35.40" x 25.29" x 15.75" (900 x 642 x 400mm)	18.3lb (8.3kg)	19.8lb (9kg) per display	Powder coat epoxy	Black
<b>LCZ-4F4G30B</b>	35.40" x 25.29" x 7.65" (900 x 642 x 194mm)	27.1lb (12.2kg)			

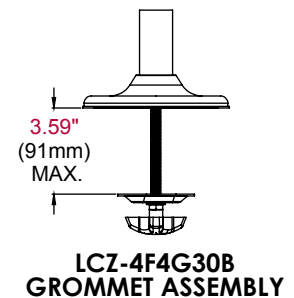
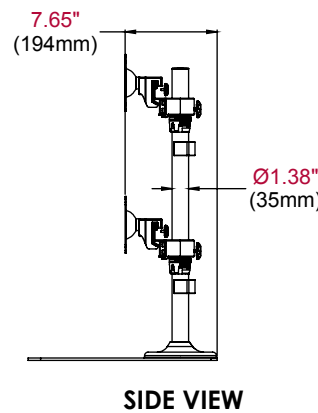
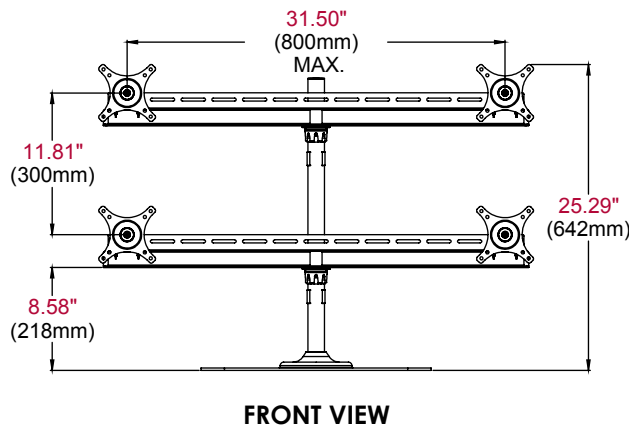
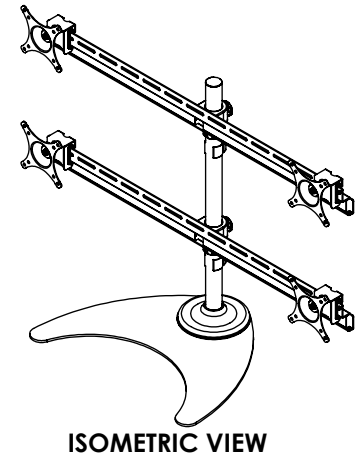
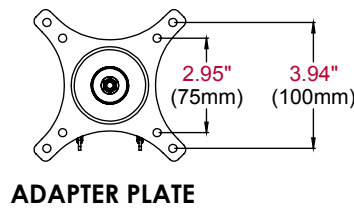
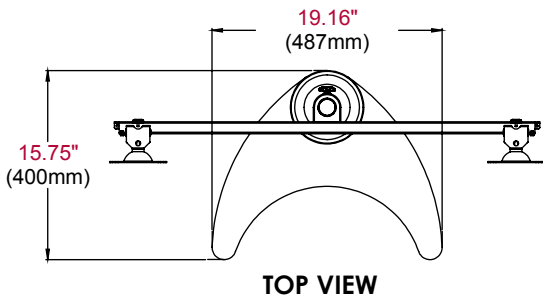
## Package Specifications

	PACKAGE SIZE (L x W x H)	PACKAGE SHIP WEIGHT	PACKAGE UPC CODE	PACKAGE CONTENTS	UNITS IN PACKAGE
<b>LCZ-4F430B</b>	38.6" x 4.7" x 17.1" (980 x 119 x 434mm)	20.5lb (9.2kg)	735029278108	Base (with LCZ-4F430B), Grommet (with LCZ-4G4F30B), Cover, Post, Crossbar, 4 display mounts, Mounting hardware, Cable management clips	1
<b>LCZ-4F4G30B</b>		29.3lb (13.2kg)	735029278122		

## Accessories

- PTM200:** Universal Tablet Cradle
- ACC450:** VESA® 200 x 200mm Accessory Plate
- ACC918:** Security Fasteners

All dimensions = inch (mm)



## ARCHITECTS SPECIFICATIONS

The Peerless-AV Quad-Monitor Desktop & Grommet Stands shall be model # LCZ-4F430B and LCZ-4F4G30B and shall be located where indicated on the plans. It shall have a 19.8lb load capacity per display. It shall be finished in black. Assembly and installation shall be done according to instructions provided by the manufacturer.

Peerless Industries, Inc. ■ 2300 White Oak Circle ■ Aurora, IL 60502 ■ (800) 865-2112 ■ (630) 375-5100 ■ Fax: (800) 359-6500 ■ peerless-av.com

Visit peerless-av.com to see the complete line of AV solutions from Peerless-AV, including flat panel mounts, projector mounts, carts/stands, furniture, cables, screen cleaners and a full assortment of accessories.