

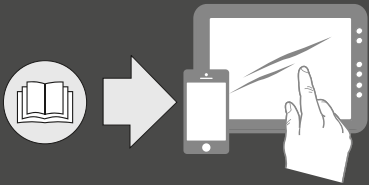


MEB 102 | MEB 102-L MEB 104 | MEB 104-L

Quick Guide
Kurzanleitung
Guide de démarrage rapide
Guida rapida
Instrucciones resumidas
Instruções resumidas
Beknopte gebruiksaanwijzing
Krótka instrukcja obsługi
Snabbguide

Kort vejledning
Pikaohje
Γρήγορος οδηγός
Kısa Kılavuz
Краткая инструкция
快速指南
快速使用指南
クイックガイド
퀵 가이드

SENNHEISER



Sennheiser Documentation App



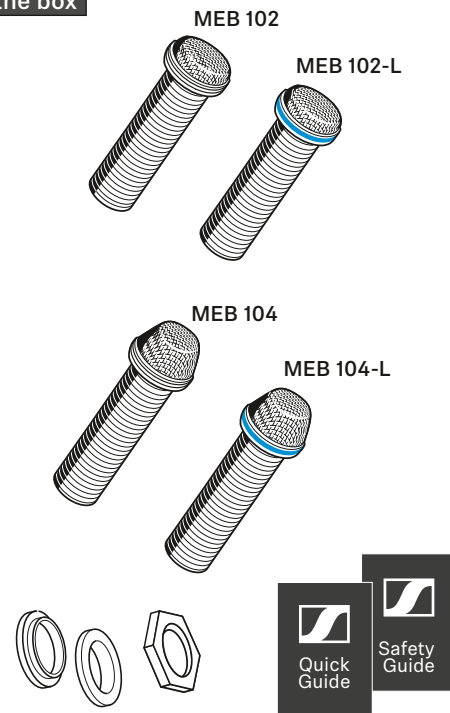
or online at
www.sennheiser.com/download
MEB 10X_

Sennheiser electronic GmbH & Co. KG

Am Labor 1, 30900 Wedemark, Germany
www.sennheiser.com

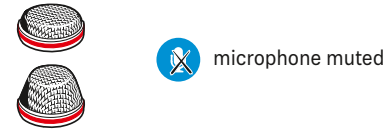
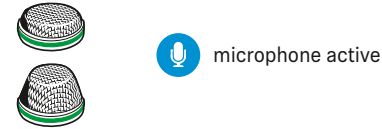
Printed in Germany, Publ. 07/19, 549115/A03

In the box

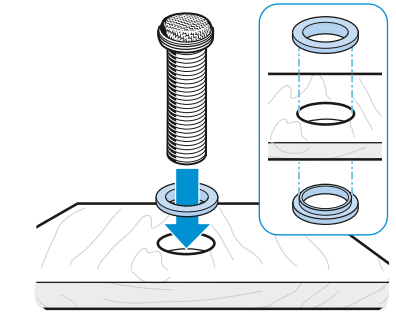
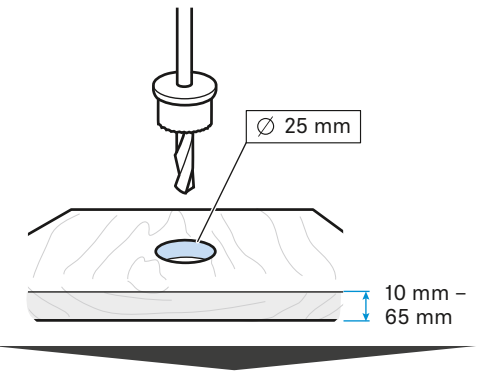


LED status

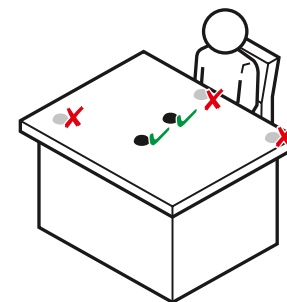
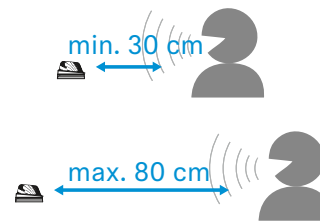
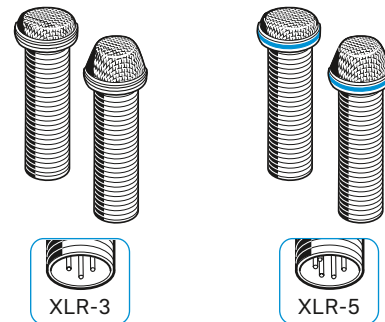
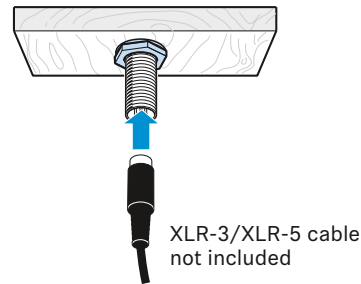
MEB 102-L + MEB 104-L



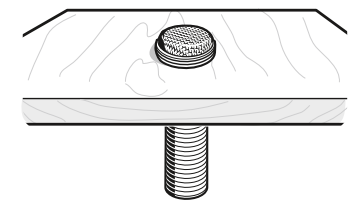
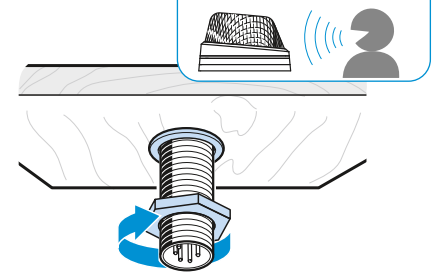
Mounting



Setup



MEB 104 | MEB 104-L

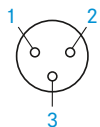


Connector assignment

MEB 102



MEB 104

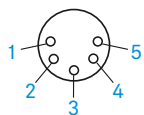


- 1 ground
- 2 microphone +
- 3 microphone -

MEB 102-L



MEB 104-L



- 1 ground
- 2 microphone +
- 3 microphone -
- 4 LED green (trigger signal)
- 5 LED red (default)

Specifications

Microphones	MEB 102	MEB 102-L	MEB 104	MEB 104-L
Pick-up pattern	omni-directional		cardioid	
Frequency response	40 Hz – 20,000 Hz			
Acoustic principle	pressure zone microphone			
Nominal impedance (at 1 kHz)	200 Ω			
Sensitivity	16 mV/Pa		14 mV/Pa	
Max. SPL	125 dB at 1 kHz			
Equivalent noise level (weighted as per CCIR 468-3)	21 dB(A)		28 dB(A)	
Power supply	48 V phantom power			
Current consumption	3 mA	6 mA (microphone/signal light ring: 3 mA each)	6 mA (microphone/signal light ring: 3 mA each)	3 mA
Connector	XLR-3	XLR-5	XLR-5	XLR-3
Temperature	operation: -10 °C – +50 °C storage: -25 °C – +70 °C			
Dimensions	microphone head: ∅ approx. 29 mm tread: ∅ approx. 20 mm rubber rings: ∅ approx. 23 mm			
Weight	approx. 58 g		approx. 60 g	