

MED-AS60

Multi-input Switcher with Multi-Window Display



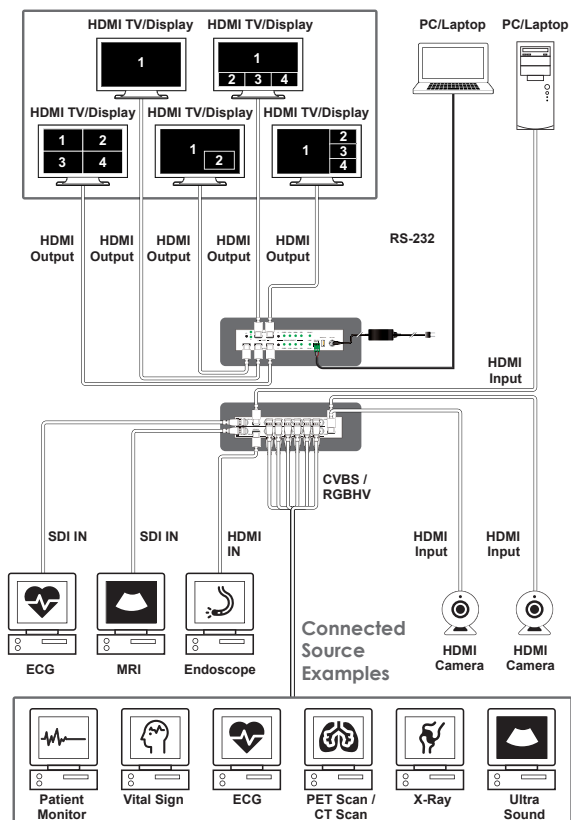
This unit contains 4 HDMI, 2 SDI, 2 VGA, and 2 set of CVBS input, and 5 HDMI outputs to pairing to the medical standard Monitor for giving out the multi-content combination by professional video window processing. With standard medical devices interface, the unit is able to transmit signal up to 1080p@60, deep colour up to 12 bit for both inputs and outputs.

By using the control PC tool could easily achieve the layout to fit the scenario, also supports the ability to store a multi-window arrangement as a preset that can be recalled later. With RS-232 and USB port for console communication and firmware updates, to provide efficiency way of medical monitor depiction presentation.

PANELS



DIAGRAM



FEATURES

- Deep color support 8/10/12 bit source on both in and out
- Supports conversion of multiple video formats to HDMI outputs.
- Supports SDI Standards of SMPTE 259M-C, SMPTE 292M, and SMPTE 424M/425M-A
- Supports SDI bit rates at 270Mbps, 2.970Gbps & 2.970/1.001Gbps, and 1.485Gbps & 1.485/1.001Gbps.
- The Multiviewer would be set into following mode:
 - PIP (Picture In Picture)
 - SBS (Side by Side)
 - QUAD (Quad View)
 - POP (Picture of Picture)
- Supports RS-232 transition.
- FW update via USB flash drive.

SPECIFICATIONS

Interfaces

Input Port	4 HDMI 2 SDI(BNC) 2 VGA(BNC) 2 CVBS(BNC)
Output Port	5 HDMI
Control I/O	1 RS-232 (DB-9) 1 USB (Type-A)

Video

HDMI Compliance	HDMI 1.4 (DVI 1.0)
HDCP Compliance	1.x
Input Signal Types	1080p@60 12bit
Output Signal Types	1080p@60 12bit

	Resolutions	
Maximum Input	HDMI	1080p@60
	SDI	1080p@60
	VGA	1080p@60
	CVBS	1080p@60
Maximum Output	HDMI	1080p@60

Audio

HDMI	LPCM (2 Channels)
-------------	-------------------

Power

Power Supply	24V/2.7A DC (Locking)
Power Consumption	TBD

Enclosure

Chassis Material	Metal (Steel)
Chassis Color	White
DimensWions (W×H×D)	220mm×43mm×293mm [Case Only] 220mm×43mm×310mm [All Inclusive]
Weight	2150g

Field Firmware Update

USB Flash Drive

ORDERING INFORMATION

Model No.	Product Description
MED-AS60	Multi-input Switcher with Multi-Window Display