

MIS488

Pole Mount for Media Devices

To be used with a ceiling mounted TV

For ceiling mounted displays and suspended televisions, finding a place to mount media devices just got easier. Now, the MIS488 gives the option of attaching the media device to the extension pole behind the display, keeping it close and its cables neatly organized. The universal bracket design makes the mount compatible with a wide range of media devices. Because MIS488 mounts to a standard 1 1/2" pipe, by way of U-bolts, this versatile media device mounting solution will attach anywhere along the column.



Max load: 25lb (11.3kg)

FEATURES

- Mounts to a standard 1-1/2" pipe (1.90" OD)
- U-bolt design allows for positioning the media device shelf mount at any height on the pole
- Universal design allows for compatibility with a wide range of media devices

UNIVERSAL FIT

Universal design accommodates a wide range of media devices

ADJUSTABLE POSITIONING

Easily slide the media device mount anywhere along the pole for adjustable heights

CABLE MANAGEMENT

Clean design creates easy access for holding the media cables



MIS488: Pole mount for media devices to be used with a ceiling mounted TV

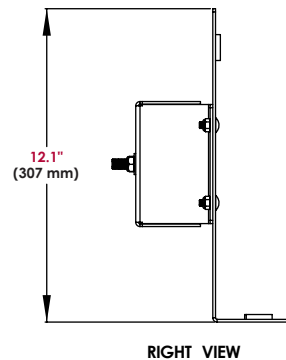
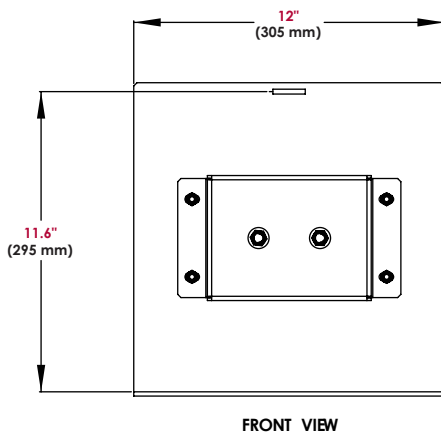
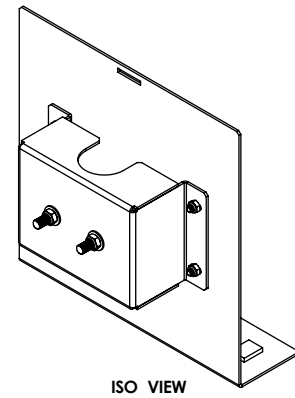
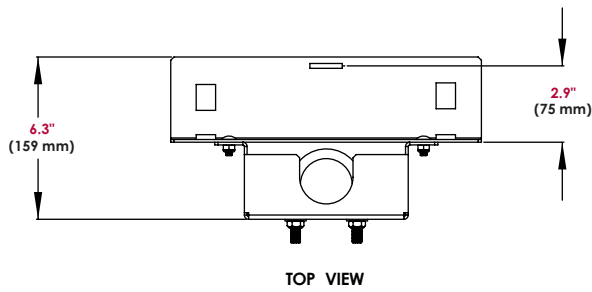
Product Specifications

	DIMENSIONS (W x H x D)	PRODUCT WEIGHT	LOAD CAPACITY	FINISH	AVAILABLE COLORS
MIS488	12" x 12" x .63" (305 x 305 x 160mm)	10lb (4.5kg)	25lb (11.3kg)	Powder coat, textured black	Black

Package Specifications

	PACKAGE SIZE (W x H x D)	PACKAGE SHIP WEIGHT	PACKAGE UPC CODE	PACKAGE CONTENTS	UNITS IN PACKAGE
MIS488	15.125" x 15.125" x 7.125" (384 x 384 x 181mm)	11lb (5kg)	735029254775	Shelf, mounting bracket, u-bolt, strap and mounting hardware	1

All dimensions = inch (mm)



ARCHITECTS SPECIFICATIONS

The Pole PC Mount shall be a Peerless model MIS488 and shall be located where indicated on the plans. It shall feature scratch resistant black fused epoxy finish. Assembly and installation shall be done according to instructions provided by the manufacturer.