

MOD-APRS(-W)

# PRS and PSMU Projector Mount Adaptor

For use with Modular Series Projector Mounts,  
for projectors up to 66lb (29.9kg)

The Peerless-AV Modular Mounts Line features a full range of products that can fulfill multiple requirements from a limited number of SKUs. With the universality of the components, configure your own perfect custom flat-panel display or projector mounting solution for any application.

The Modular Mount Line was developed with the professional AV installer in mind. Designed around a 2" (50mm) diameter pole, the line is ideal for new projects as well as for upgrading existing installations.

The MOD-APRS serves as an adaptor piece for Peerless-AV PRS and PSMU Projector Mounts.



Max load: 66lb (29.9kg)

## FEATURES

- Adapter to connect the PRS-UNV and PSMU to the modular extension poles
- 66lb (29.9kg) max. weight capacity



**MOD-APRS(-W)** PRS and PSMU Projector Mount Adaptor for use with Modular Series Projector Mounts, for projectors up to 66lb (29.9kg)

Product Specifications

	DIMENSIONS (W x H x D)	PRODUCT WEIGHT	LOAD CAPACITY	FINISH	AVAILABLE COLORS
<b>MOD-APRS(-W)</b>	3.62" x 0.90" x 2.52" (92 x 23 x 64mm)	0.10lb (0.04kg)	66lb (29.9kg)	Power coat	MOD-APRS Black MOD-APRS-W White

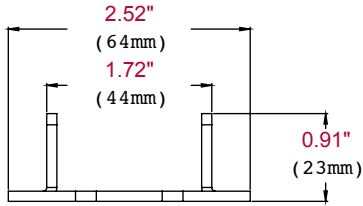
Package Specifications

	PACKAGE SIZE (W x H x D)	PACKAGE SHIP WEIGHT	PACKAGE UPC CODE	PACKAGE CONTENTS	UNITS IN PACKAGE
<b>MOD-APRS(-W)</b>	3.25" x 7.63" x 3.25" (82 x 193 x 82mm)	0.45lb (0.20kg)	MOD-APRS 73502927002 MOD-APRS-W 73502927016	Adapter, attachment screws	1

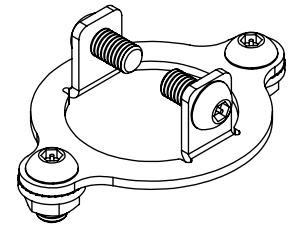
Accessories

- MOD-ACF(-W):** Accessory Cover for MOD-CPF Ceiling Plate
- MOD-ADF:** Accessory Drill Fixture for 50mm Pole
- MOD-APC:** Accessory Pole Coupler
- MOD-PRSKIT models:** Modular Series Ceiling Kit for Projectors up to 25lb (11kg)
- MOD-ATD-W:** Accessory Trim Disc
- MOD-AUB:** Accessory U-Bolt Adaptor
- MOD-CPC(-W):** Ceiling Plate, Cathedral
- MOD-CPF:** Square Ceiling Plate, Flat (7.4" x 6.8")
- MOD-CPI:** I-Beam Ceiling Plate, Flat
- MOD-P100(-B):** 50mm Extension Pole - 39" (1.0m)
- MOD-P150(-B):** 50mm Extension Pole - 59" (1.5m)
- MOD-P200(-B):** 50mm Extension Pole - 78" (2.0m)
- MOD-P300(-B):** 50mm Extension Pole - 118" (3.0m)

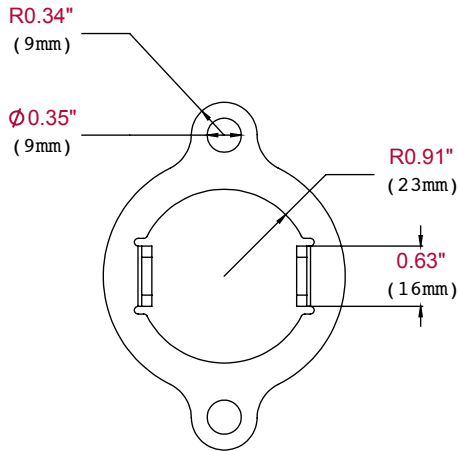
All dimensions = inch (mm)



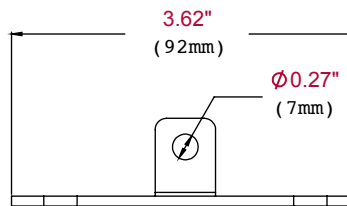
FRONT VIEW



ISOMETRIC VIEW



TOP VIEW



SIDE VIEW

ARCHITECTS SPECIFICATIONS

The PRS and PSMU Projector Mount Adaptor shall be a Peerless-AV model MOD-APRS and shall be located where indicated on the plans. Assembly and installation shall be done according to instructions provided by the manufacturer.