

MOD-PRSKIT100(B)
MOD-PRSKIT150(B)
MOD-PRSKIT300(B)

Modular Series Ceiling Kit

For Projectors up to 25lb (11kg)

The Peerless-AV Modular Mounts Line features a full range of products that can fulfill multiple requirements from a limited number of SKUs. With the universality of the components, configure your own perfect custom flat-panel display or projector mounting solution for any application.

The Modular Mount Line was developed with the professional AV installer in mind. Designed around a 2" (50mm) diameter pole, the line is ideal for new projects as well as for upgrading existing installations.

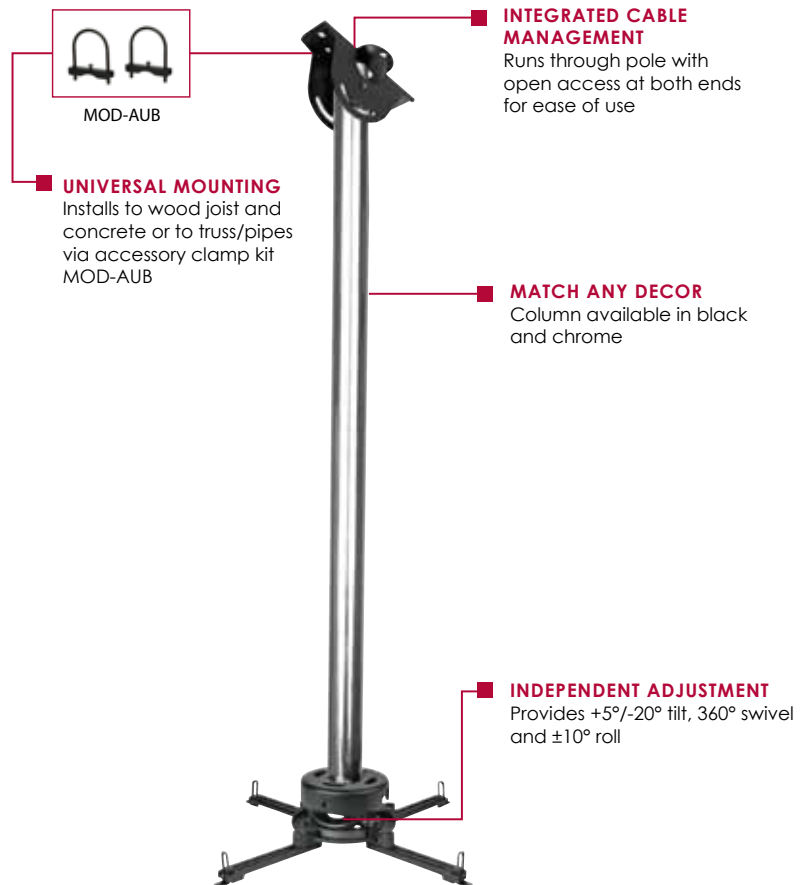
The MOD-PRSKIT100/150/300 Ceiling Mount Kit comes with all of the components required to ceiling mount a projector. As a part of the Peerless-AV™ Modular Series, it can be expanded with additional Modular accessories (sold separately) to accommodate virtually any configuration to achieve the perfect custom mounting solution.



Max load: 25lb (11.3kg)

FEATURES

- Pre-assembled Kit includes:
 - Cathedral ceiling plate
 - 3' (1m), 5' (1.5m), or 9' (3m) chrome or black extension pole
 - PRS Projector Mount Adaptor
 - PRS Projector Mount
- Cathedral ceiling plate can be angled up to $\pm 60^\circ$ for use with vaulted or sloping ceilings
- Easy installation of projector up to either 3' (1m), 5' (1.5m), or 9' (3m) height
- Universal Spider® adaptor for projectors weighting up to 25lb (11kg)
- Three axes of independent adjustment enable precise image alignment



Patent Universal Spider® Adapter



Cathedral Ceiling Plate



Model Numbers

MOD-PRSKIT100(B)	Modular Series Ceiling Kit for Projectors up to 25lb (11kg); 3' (1m) height
MOD-PRSKIT150(B)	Modular Series Ceiling Kit for Projectors up to 25lb (11kg); 5' (1.5m) height
MOD-PRSKIT300(B)	Modular Series Ceiling Kit for Projectors up to 25lb (11kg); 9' (3m) height

Product Specifications

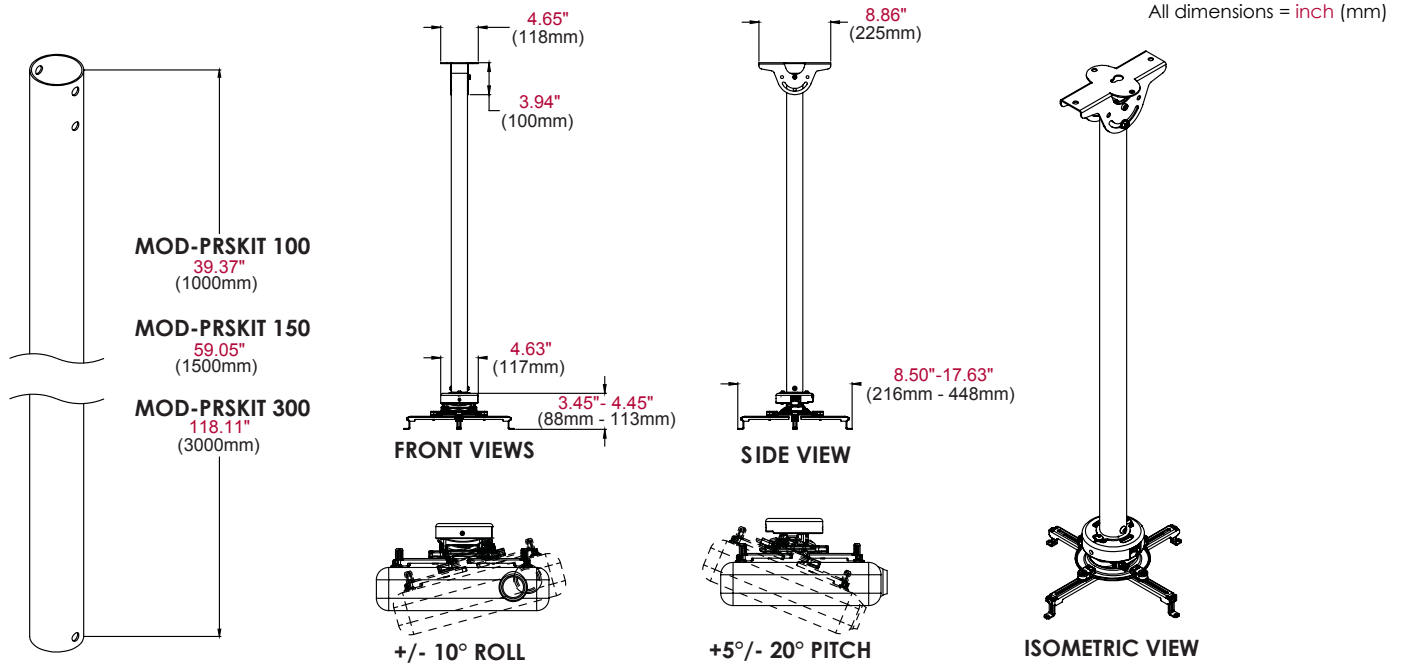
	DIMENSIONS (W x H x D)	PRODUCT WEIGHT	LOAD CAPACITY	FINISH	AVAILABLE COLORS
MOD-PRSKIT100(B)	4.645"-17.637" x 43.228"-44.212" x 8.858"-17.637" (118-448 x 1098-1123 x 225-448mm)	7.2lb (3.2kg)			MOD-PRSKIT100/150/300: Black and Chrome
MOD-PRSKIT150(B)	4.645"-17.637" x 62.913"-63.897" x 8.858"-17.637" (118-448 x 1598-1623 x 225-448mm)	9.6lb (4.3kg)	25lb (11.3kg)	Power coat	
MOD-PRSKIT300(B)	4.645"-17.637" x 121.968"-122.952" x 8.858"-17.637" (118-448 x 3098-3123 x 225-448mm)	17.0lb (7.1kg)			MOD-PRSKIT100B/150B/300B: Black

Package Specifications

	PACKAGE SIZE (W x H x D)	PACKAGE SHIP WEIGHT	PACKAGE UPC CODE	PACKAGE CONTENTS	UNITS IN PACKAGE
MOD-PRSKIT100(B) MOD-PRSKIT150(B) MOD-PRSKIT300(B)	BOX1: 10.250" x 10.250" x 8.250" (4.640 x 4.640 x 3.742mm)	BOX1: 4.2lb (1.9kg)	MOD-PRSKIT100: 735029290186	- MOD-CPC Cathedral ceiling plate	1
	BOX2: MOD-PRSKIT100(B): 41.50" x 2.500" (18.824 x 1.133mm)	BOX2: MOD-PRSKIT100(B): 5.0lb (2.2kg)	MOD-PRSKIT100B: 735029290155	- MOD-P100 1.0m extension pole or MOD-P150 1.5m extension pole or MOD-P300 3.0m extension pole	
	MOD-PRSKIT150(B): 61.50" x 2.500" (27.895 x 1.133mm)	MOD-PRSKIT150(B): 7.4lb (3.3kg)	MOD-PRSKIT150: 73502926992	- MOD-APRS PRS Projector Mount Adaptor	
	MOD-PRSKIT300(B): 120.000" x 2.500" (54.431 x 1.133mm)	MOD-PRSKIT300(B): 14.8lb (6.7kg)	MOD-PRSKIT300: 735029290339	- PRS-UNV PRS Projector Mount	
			MOD-PRSKIT300B: 735029290261		

Accessories

MOD-ACF(-W): Accessory Cover for MOD-CPF Ceiling Plate	MOD-ATD-W: Accessory Trim Disc	MOD-P100(-B): 50mm Extension Pole - 39" (1.0m)
MOD-ADF: Accessory Drill Fixture for 50mm Pole	MOD-AUB: Accessory U-Bolt Adaptor	MOD-P150(-B): 50mm Extension Pole - 59" (1.5m)
MOD-APC: Accessory Pole Coupler	MOD-CPC(-W): Ceiling Plate, Cathedral	MOD-P200(-B): 50mm Extension Pole - 78" (2.0m)
MOD-APRG(-W): Accessory Projector Adaptor, PRG Mount	MOD-CPF: Square Ceiling Plate, Flat (7.4" x 6.8")	MOD-P300(-B): 50mm Extension Pole - 118" (3.0m)
MOD-APRS(-W): Accessory Projector Adaptor, PRS Mount	MOD-CPI: I-Beam Ceiling Plate, Flat	



ARCHITECTS SPECIFICATIONS

The Modular Series Ceiling Kit shall be a Peerless-AV model MOD-PRSKIT100(B)/150(B)/300(B) and shall be located where indicated on the plans. Assembly and installation shall be done according to instructions provided by the manufacturer.

Peerless Industries, Inc. ■ 2300 White Oak Circle ■ Aurora, IL 60502 ■ (800) 865-2112 ■ (630) 375-5100 ■ Fax: (800) 359-6500 ■ peerless-av.com

Visit www.peerless-av.com to see the complete line of AV solutions from Peerless-AV, including flat panel mounts, projector mounts, carts/stands, furniture, cables, screen cleaners and a full assortment of accessories.