

DATA SHEET

IP Media Player

MPDS-100

Contents

- Description
- Features
- Applications
- Technical Specification

OPTICIS HQ

Headquarters

Opticis Co., Ltd.
7FI, SPG Dream
166 Jeongjail-ro, Bundang-gu,
Seongnam-si, Gyunggi-do, 13558
Republic of Korea
Te l: +82 (31) 719-8033
Fax: +82 (31) 719-8032
www.opticis.com

■ **Description**

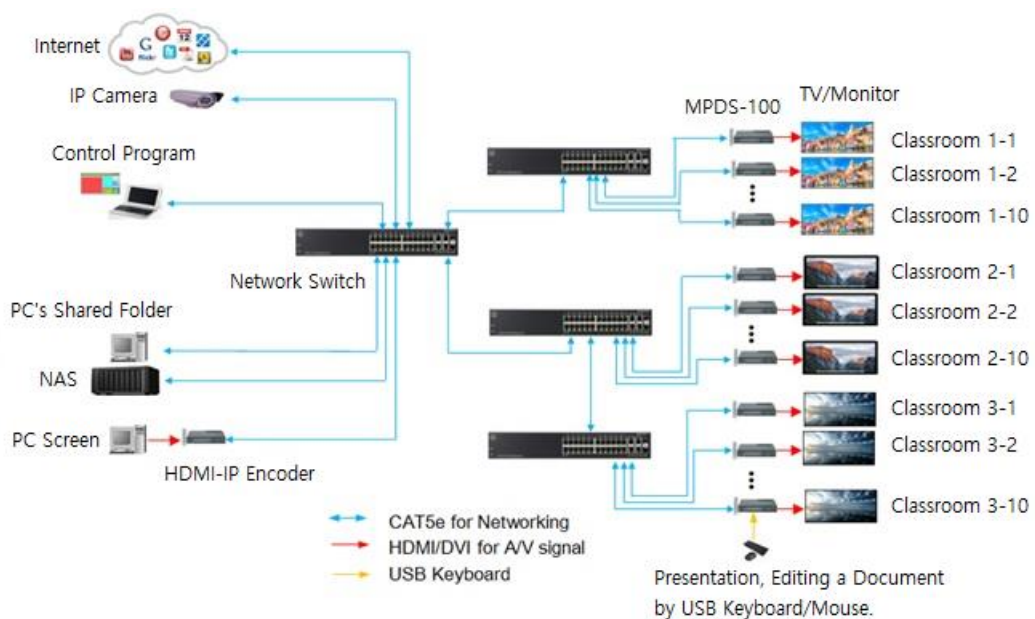
MPDS-100, Full HD(1080p) Media Player, is an intergrated playing device that plays video/audio files, different types of documents as well as real time streaming of IP camera(encoder) based on TCP/IP network. With control program, this device can play contents to designated place by preset schedule and display caption on the screen. MPDS-100 can be used for advertistement using video, can be used for security or broadcasting using IP camera, as well as can be optimal solution for remote lecture using video width PDF, MS office documents.

■ **Features**

- H.264 Codec Media Player supports Full HD(1080p) resolution based on TCP/IP.
- Provides HDMI output, Analog audio output, RS-232 port for external device control.
- Supports various sources such as Documents (PDF, MS Office and etc), Video files, YouTube, IP Camera(encoder), Picture, Audio files.
- Remote Control Program
 - Up to 100 groups x 99 presets = 9,900 display configuration and preset file save
 - Immediate play by group, scheduling (weekly/sequence)
- Self-GUI
 - Enables to use web browsing, file explorer, video player features.

■ **Applications**

- **Education**



■ **Technical Specification**
 - General Specification

Item	Description
Network	10/100 Base-TX Ethernet
Resolution	Up to 1080p@60Hz
Video Interface	HDMI 1.4
Video codec	H.264, MPEG4, VP6, VP7, VP8
Audio Interface	HDMI Audio and Analog Line-Out (Dual output)
Supported Source Type	* Document File : pdf, doc(x), xls(x), ppt(x), hwp. * Video File : avi, mov, mkv, mp4, etc. * Audio File : mp3, ogg, wav, etc. * Streaming: YouTube, HTTP, RTP/RTSP, etc. * Image File : bmp, jpg, gif, png, etc. * Text : Static/Scrolling Text. Font Family, Font/Background Color.
Dimension	114 x 66 x 32mm (WDH)
Power Consumption	10W
Operating Temperature	0 ~ 40°C
Storage Temperature	-20 ~ 60°C

- Electrical Characteristics

	Parameter	Symbol	Minimum	Typical	Maximum	Units
Power Supply	Supply Voltage, Temp 25°C	VCC	+ 4.75	+ 5.0	+ 5.25	V
	Supply Current	ICC	-	2.5	-	A
	Power Dissipation		5	7.5	10	W
TMDS	Data Output Load	RLD		50		Ω
	Graphic Supply Voltage	GVCC	+ 3.15	+ 3.3	+ 3.45	V
	Single-Ended High Level Input Voltage	GVIH	GVCC - 0.01	GVCC	GVCC + 0.01	V
	Single-Ended Low Level Input Voltage	GVIL	GVCC - 0.6	-	GVCC - 0.4	V
	Single-Ended Input Swing Voltage	GVISWING	0.2	-	0.75	V
Ethernet Link	Maximum Bit rate			40		Mbps
	Network Speed			10/100		Mbps
	RGMII/GMII	-0.2		2.8		V

(T_A = 0 °C to +50 °C, unless otherwise noted)

- Absolute Maximum Ratings

Parameter	Symbol	Minimum	Maximum	Units
Supply Adaptor Voltage, Temp=25°C	VCC	-0.3	+5.25	V
Operating Temperature	Top	0	40	°C
Operating Relative Humidity	RHop	5	80*	%RH
Storage Temperature	Tsto	- 30	+ 70	°C
Storage Relative Humidity	RHsto	10	95*	%RH

- Recommended Operating Conditions

Parameter	Symbol	Minimum	Typical	Maximum	Units
Ambient Operating Temperature	TA	0		+ 40	°C
Data Output Load (HDMI)	RLD		50		Ω
Power Supply Rejection	PSR		100		mVp-p
Supply Voltage	VCC	+ 4.75	+ 5.0	+ 5.25	V