

Installation and Assembly - Multi-Channel Speaker Accessory

Models: MSA-301,
MSA-301S

IMPORTANT! Read entire instruction sheet before you start installation and assembly.

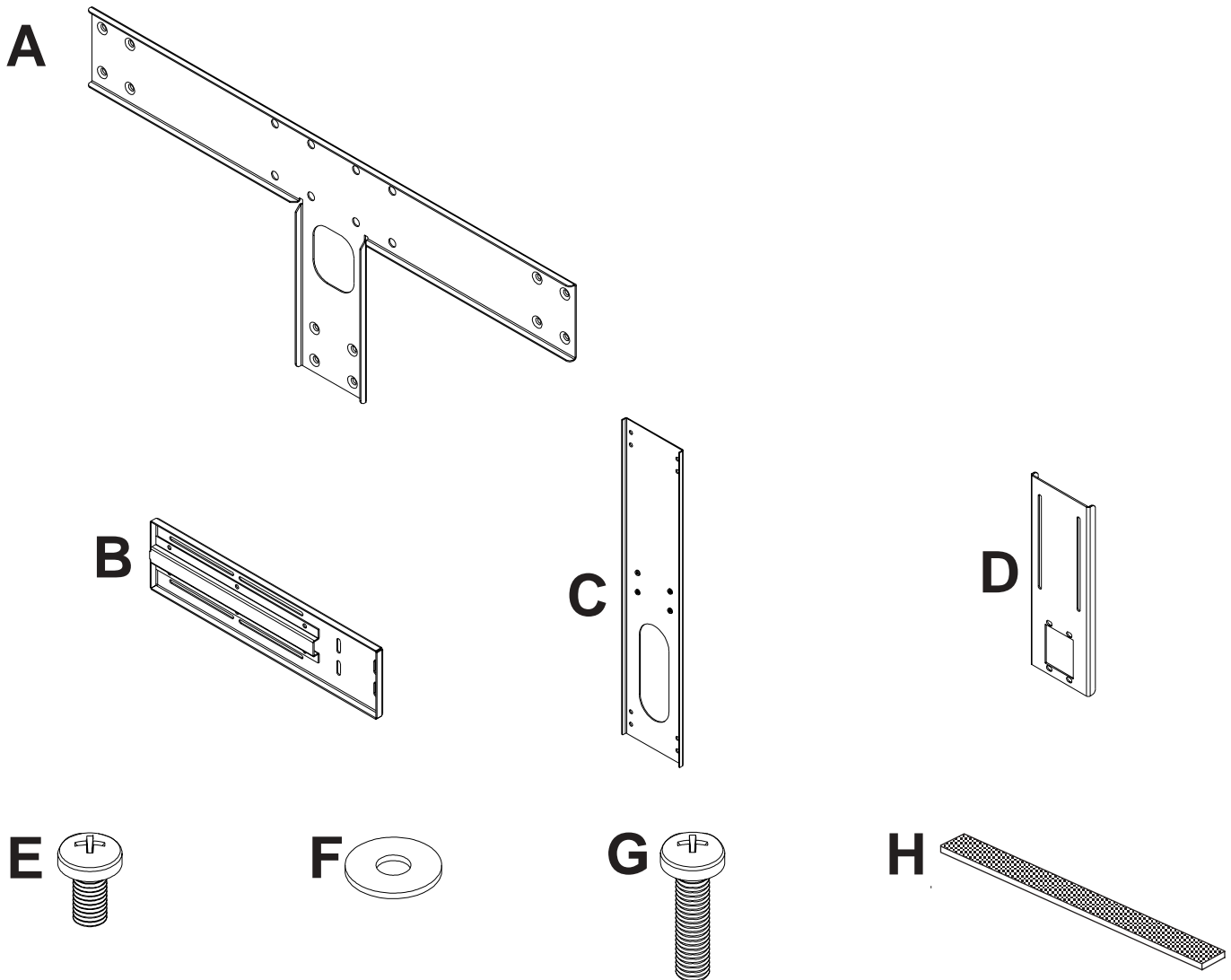
MAXIMUM LOAD CAPACITY:
50 lb (22.68 kg)

NOTE: For use with FS-3200 C and FS-3200 LR speakers only

Parts List

Description	Qty.	MSA-301 Part #	MSA-301S Part #
A cross support	1	087-1051	087-4051
B side extension	2	087-1054	087-4054
C speaker bracket	3	087-1057	087-4057
D extension bracket bottom	1	087-1050	087-4050
E M5 x 10 mm phillips screw	24	520-1233	520-1233
F #10 SAE flat washer	12	540-9400	540-9400
G M5 x 20 mm phillips screw	12	510-1208	510-1208
H adhesive velcro	3	600-1018	

Note: some parts may not appear exactly as illustrated.

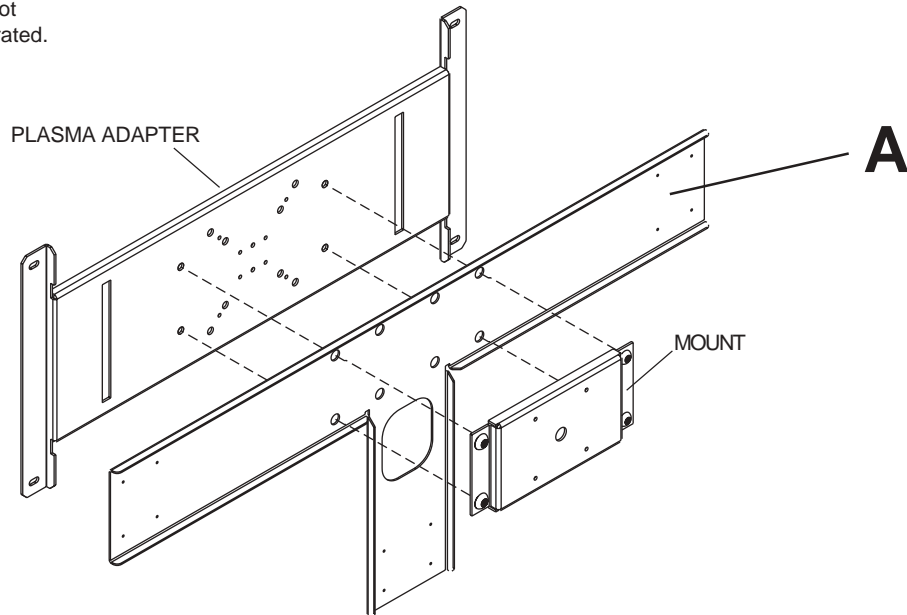


Installation to adapter plate

1

Loosen screws on plasma adapter. Then place cross support bracket (A) between plasma adapter and mount. Tighten screws through cross support bracket to plasma adapter securely. Refer to adapter plate instructions for installation of screen.

Note: some parts may not appear exactly as illustrated.

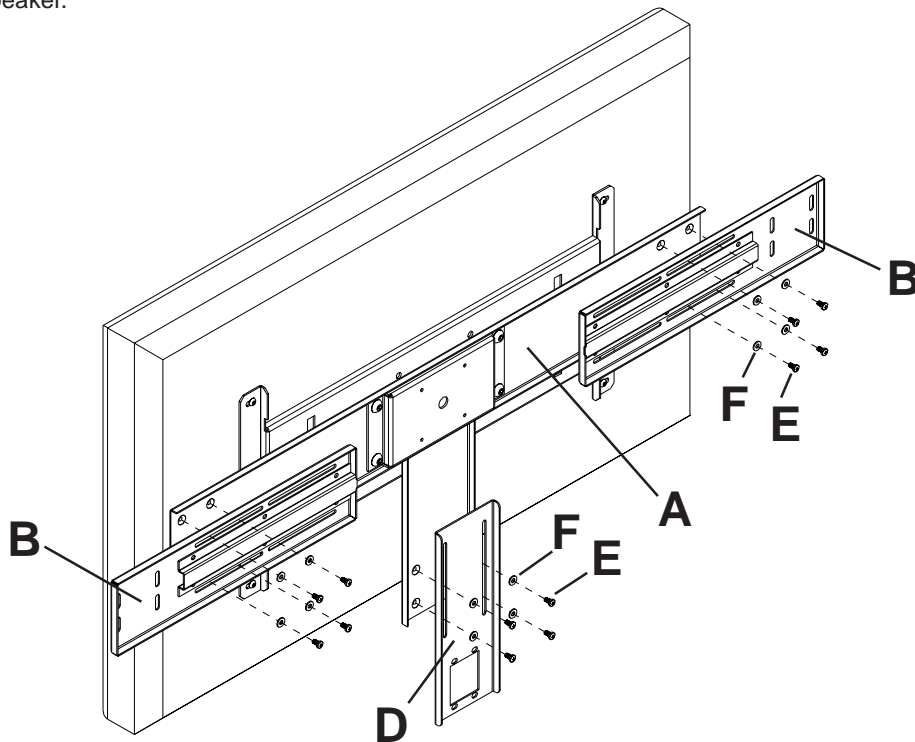


Installation of Extension Brackets

2

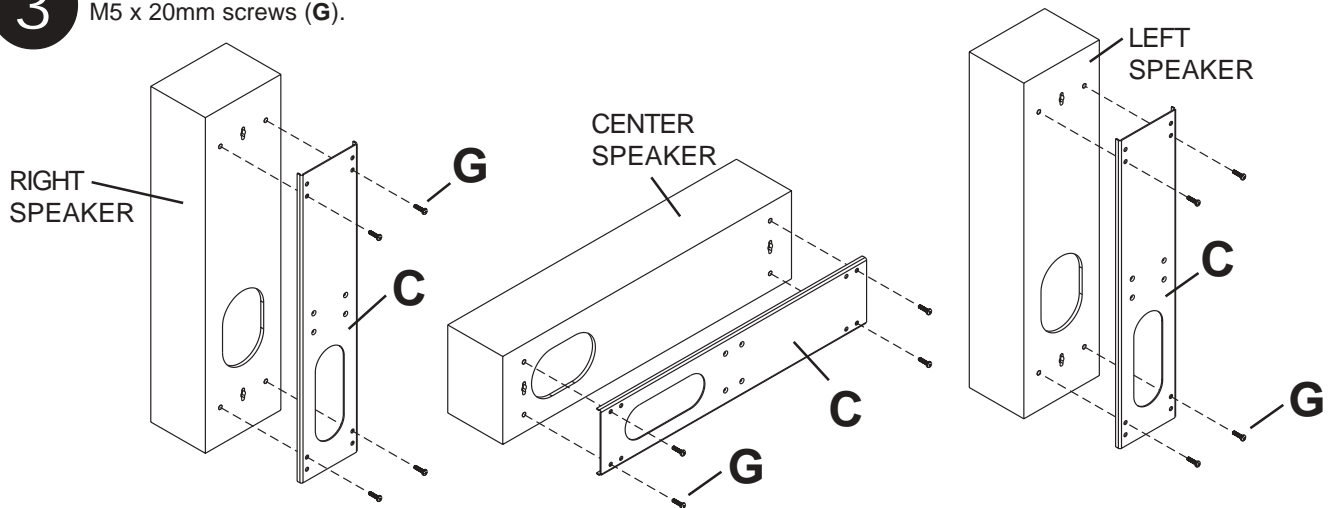
Position side extension brackets (B) on both sides of cross support bracket (A) and align hole slots to allow for desired position of left and right speakers. Loosely attach with eight sets of M5 x 10mm screws and flat washers (E, F). Do not fully tighten screws to allow for position adjustments when attaching left and right speakers.

Position bottom extension bracket (D) on lower arm of cross support bracket (A), then attach with four sets of M5 x 10mm screws and flat washers (E, F). Do not fully tighten screws to allow for position adjustments when attaching center speaker.



Installation of Speakers

- 3** Position speaker brackets (C) to speakers using correct hole pattern as shown below and attach using twelve M5 x 20mm screws (G).



- 4** Attach speaker brackets (C) to side extension brackets (B) and extension bottom bracket (D) using twelve M5 x 10mm screws (E). Position speakers to desired location and fully tighten fasteners connecting side extension brackets (B) and extension bottom bracket (D) to cross support bracket (A).

Note: If positioning speakers against screen, additional support can be achieved using adhesive velcro strips (H). Place adhesive velcro strips (H) on sides and bottom of screen and firmly press speakers against velcro before securing side and bottom extension brackets (B, D).

