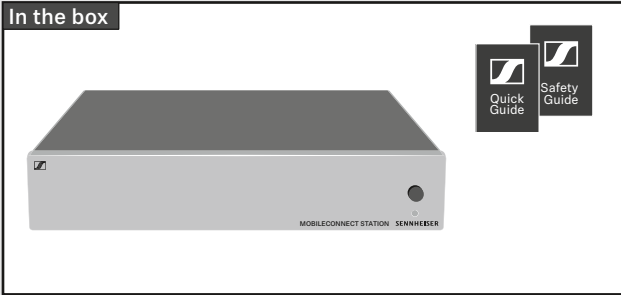




MobileConnect Station

Quick Guide | Kurzanleitung | Guide de démarrage rapide | Guida rapida | Instrucciones resumidas | Instruções resumidas | Beknopte gebruiksaanwijzing | Krótka instrukcja obsługi | Snabbguide | Kort vejledning | Πίκαοήje | Γρήγορος οδηγός | Kısa Kılavuz | Краткая инструкция | 快速指南 | 快速使用指南 | クイックガイド | 요약 설명서



Administration Access

MobileConnect Manager
To operate MobileConnect Station, the MobileConnect Manager has to be installed in the network and DNS Records have to be set.

For installation and configuration of the MobileConnect Manager go to: sennheiser.com/mobileconnect

Troubleshooting and Reset

▷ Configure the laptop with the static IP address 192.168.0.2

▷ Open your browser and navigate to: 192.168.0.10

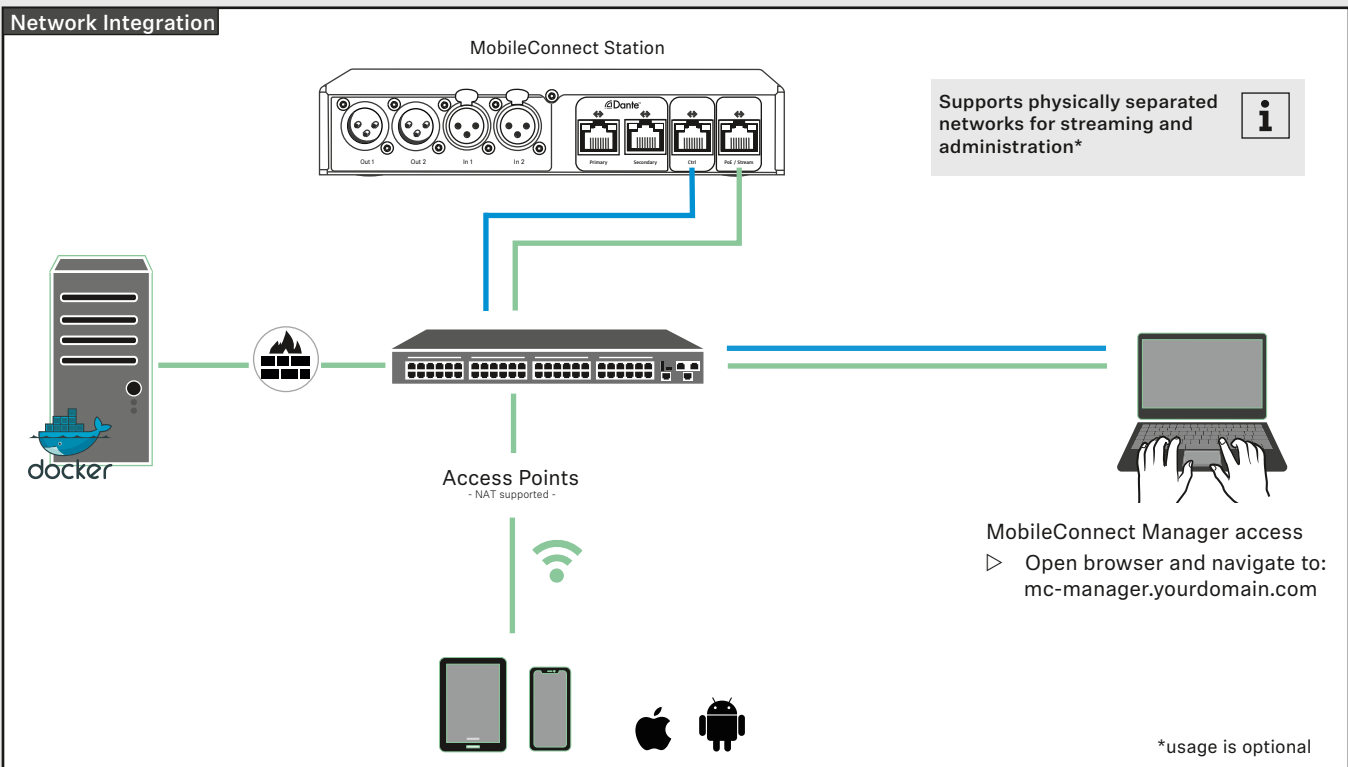
Operating elements

Front

A reboot			
press the button	1. < 1 sec	2. ≥ 3 sec	reboot
B status LED			
lights up green			on
flashes green			error

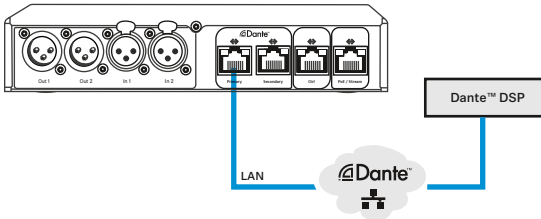
Back

1	Analog audio output	socket suitable for XLR-3F
2	Analog audio input	socket suitable for XLR-3M
3	Digital audio input/output	Dante™-interface with two RJ-45 sockets, Primary und Secondary
4	Ctrl socket	RJ-45 socket For connection to separated control network
5	PoE/Stream socket	RJ-45 socket For connection to streaming network

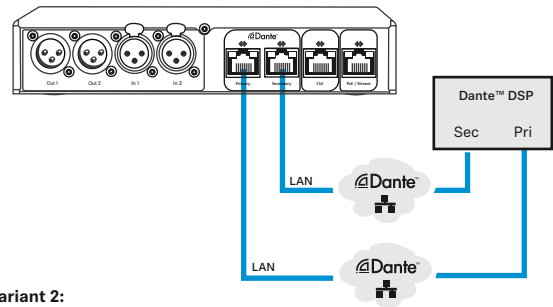


Dante

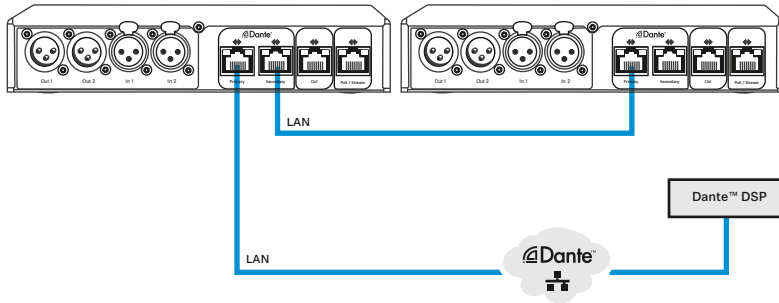
Configuration via Audinate Dante Controller | www.audinate.com



Variant 1:
Digital audio connection through Dante™ network

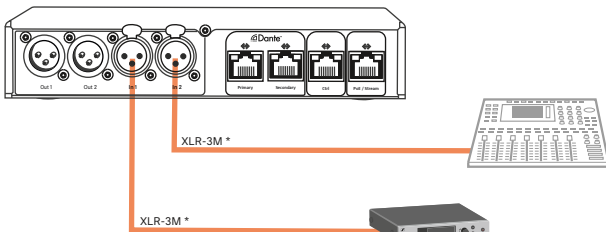


Variant 2:
Digital audio connection through redundant Dante™ networks



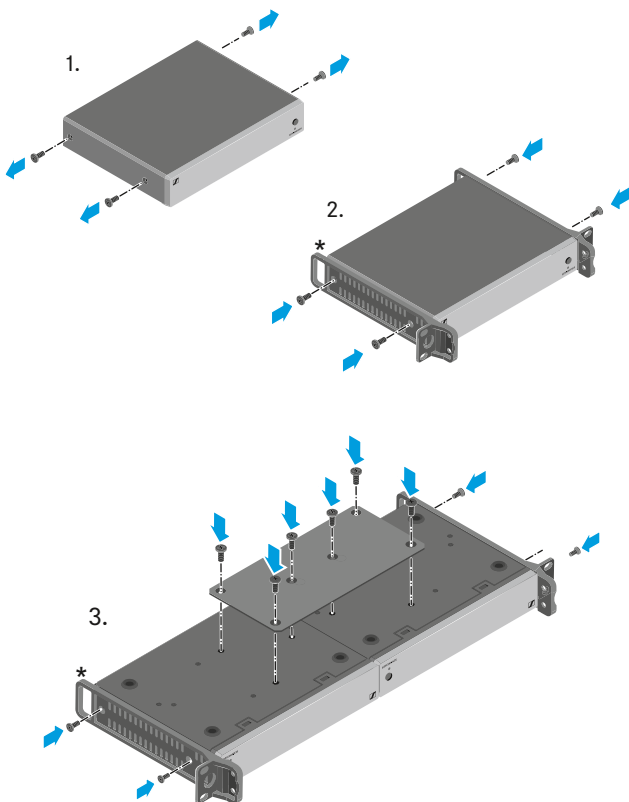
Variant 3:
Switched mode

Analog IN



*not included

Rack mounting



*GA 3 rack mount set not included

Specification

Product properties

Dimensions W x D x H	approx. 212 x 168 x 43 mm (8,4 x 6,6 x 1,7 ")
Weight	approx. 970 g
Audio inputs	2x 3-pin sockets (suitable for XLR-3-F) 2x Dante™ Digital Audio Network sockets (RJ-45) 2x 3-pin sockets (suitable for XLR-3-M)
Network / Control	1x RJ-45 Control/PoE/Streaming 1x RJ-45 Control
Supply voltage	PoE IEEE 802.3af Class 3
Power consumption	Max. 10 W

XLR connectors

Frequency response	40 Hz - 20 kHz
Signal to noise ratio S/N	101 dB (A)
Total harmonic distortion THD + N	- 82 dB (A)

Audio inputs

Input impedance	10 kΩ
Max. input level	without gain: 18 dBu with gain: 3 dBu

Audio outputs

Max. output level	4 dBu 600 Ω 8 dBu 200 kΩ
-------------------	-----------------------------

Ambient conditions

Temperature range	Operation:	0 °C to +40 °C 32 °F to 104 °F
	Storage:	-10 °C to +60 °C 14 °F to 140 °F
Relative air humidity	20 - 90 %, non condensing	

Contact and Support

Online:
www.sennheiser.de/mobileconnect

Direct contact:
mc-support@sennheiser.com

Software License:
www.sennheiser.com/mobileconnect

