

PAG-UNV

# Arakno Geared Projector Mount

## For Multimedia Projectors up to 50lb (22kg)

The Arakno Geared Projector Mount is designed with superior grip adjustment knobs to deliver the easiest fine-tuning for precise image alignment. Compatible with virtually any projector weighing up to 50lb it is the easiest, most installer friendly-mount for any application. The ultimate solution for convenient and secure projector installation for ceiling applications.



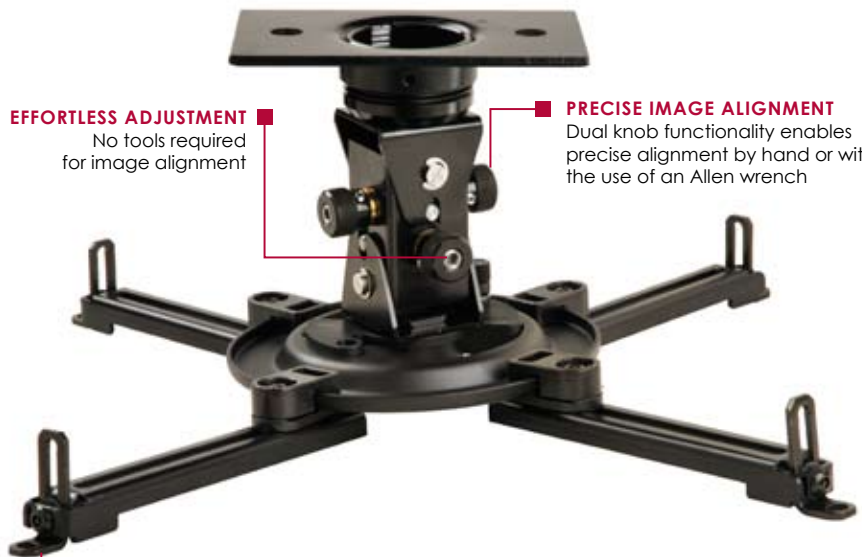
Max load: 50lb (22kg)

### FEATURES

- Patented gear technology enables effortless adjustment to achieve precise image alignment
- Provides superior range functionality:
  - Tilt:  $\pm 25^\circ$
  - Roll:  $\pm 25^\circ$
  - Swivel:  $360^\circ$
- Dual knobs design provide hassle-free method for adjusting the gears
- Quick-release mechanism to easily service projector
- Spider® Universal Adapter Plate extends up to 17.63" (448mm) to fit most projector models

**EFFORTLESS ADJUSTMENT**  
No tools required for image alignment

**PRECISE IMAGE ALIGNMENT**  
Dual knob functionality enables precise alignment by hand or with the use of an Allen wrench



**UNIVERSAL COMPATIBILITY**  
Spider® Universal Adapter Plate boasts extendable mounting configuration for increased compatibility



All-in-one solution



# Model Numbers

**WARRANTY:** Limited 5-year

**PAG-UNV:** Arakno Geared Projector Mount for projectors weighing up to 50lb (22kg)

## Product Specifications

	DIMENSIONS (W x H x D)	PRODUCT WEIGHT	LOAD CAPACITY	FINISH	AVAILABLE COLORS
PAG-UNV	8.50"-17.63" x 4.50"-7.14" x 8.50"-17.63" (216-448 x 114-181 x 216-448mm)	3lb (1.36kg)	50lb (22kg)	Power coat	Black

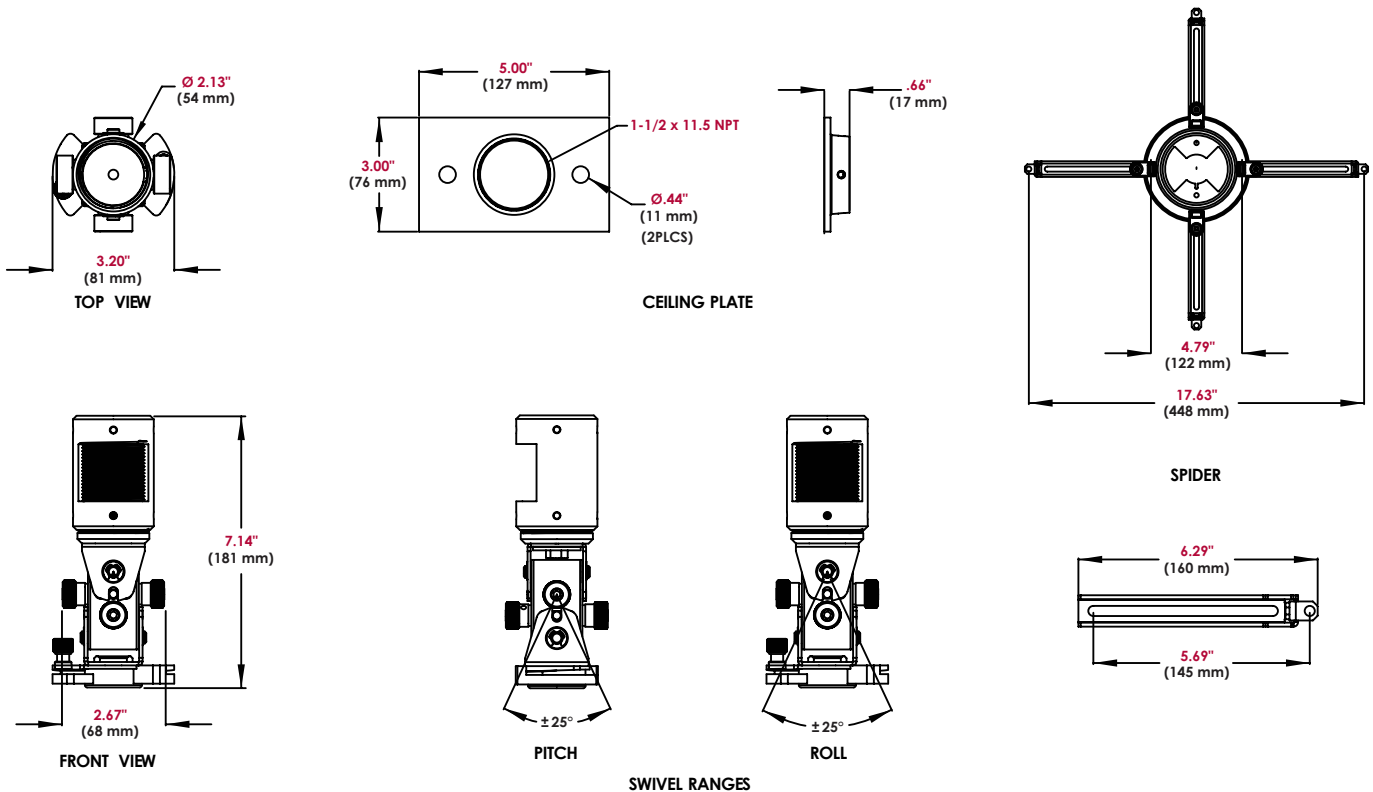
## Package Specifications

	PACKAGE SIZE (W x H x D)	PACKAGE SHIP WEIGHT	PACKAGE UPC CODE	PACKAGE CONTENTS	UNITS IN PACKAGE
PAG-UNV	9.31" x 12.62" x 4.25" (236 x 320 x 107mm)	5lb (2.27kg)	735029265023	Arakno Projector Mount, Ceiling Plate, Threaded Coupler, Spider® Universal Adapter Plate, Mounting and Projector Attachment Hardware, Assembly Instructions	1

## Accessories

CMJ Models, ACC570, ACC571, ACC912: ACC840/845: AEC, ALU and EXT Models:	Ceiling Kits Anti-Vibration Mount Extension Columns	ACC830: PWA14 & EXA/B: ACC050:	Side-to-Side Adjuster Wall Mount Arm Stability Kit
--	---	--------------------------------------	--

All dimensions = inch (mm)



## ARCHITECTS SPECIFICATIONS

The mount shall be a Peerless-AV model PAG-UNV and shall be located where indicated on the plans. The finish shall be power coat black. Assembly and installation shall be done according to instructions provided by the manufacturer.

Peerless Industries, Inc. ■ 2300 White Oak Circle ■ Aurora, IL 60502 ■ (800) 865-2112 ■ (630) 375-5100 ■ Fax: (800) 359-6500 ■ [www.peerless-av.com](http://www.peerless-av.com)

Visit [www.peerless-av.com](http://www.peerless-av.com) to see the complete line of AV solutions from Peerless-AV, including flat panel mounts, projector mounts, carts/stands, furniture, cables, screen cleaners and a full assortment of accessories.