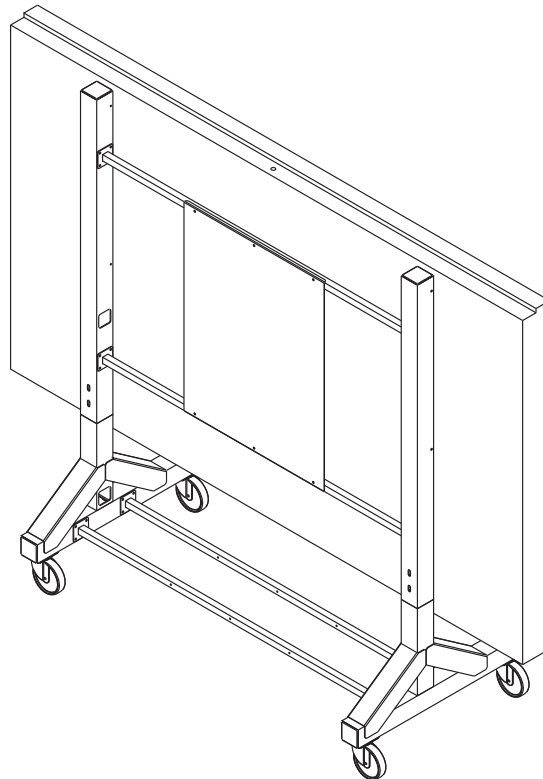




Installation and Assembly:

Cart for Panasonic TH-103PF12U, TH-103PH9UK, and TH-103VX200U

Model: PANA 103C



NOTE: Read entire instruction sheet before you start installation and assembly. Max Load Capacity: 500 lb (227 kg)

⚠ WARNING

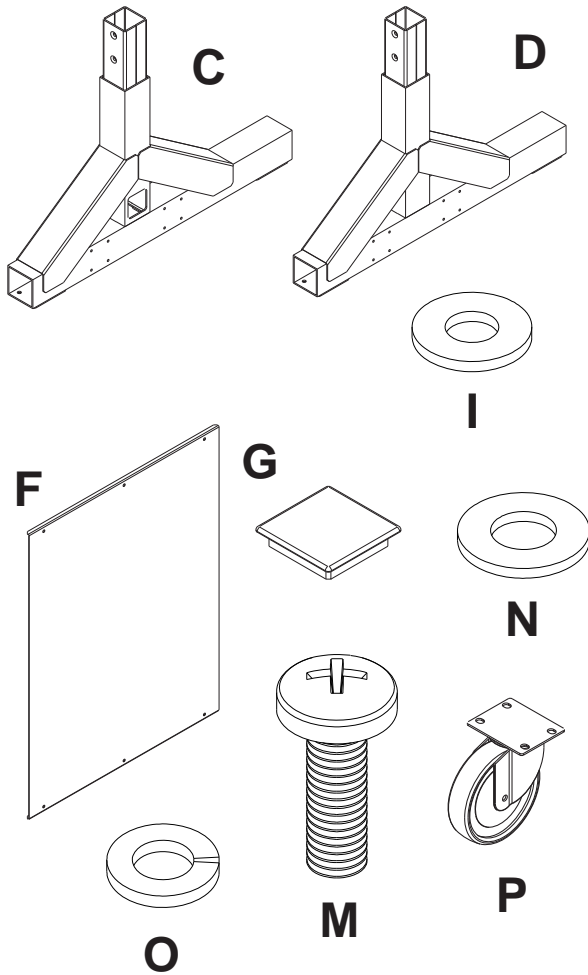
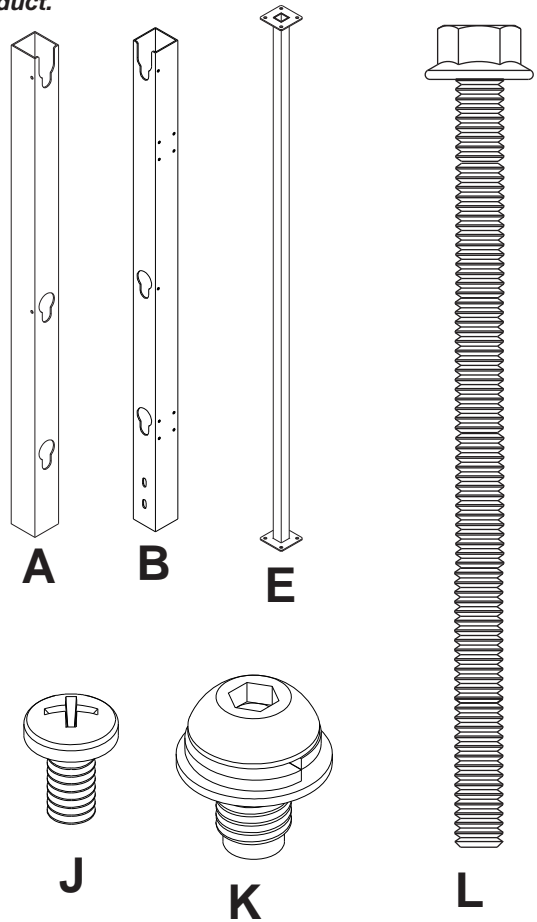
- Do not begin to install your Peerless product until you have read and understood the instructions and warnings contained in this Installation Sheet. If you have any questions regarding any of the instructions or warnings, please call Peerless customer care at 1-800-865-2112.
- This product should only be installed by a qualified professional.
- Make sure that the supporting surface will safely support the combined load of the equipment and all attached hardware and components.
- Never exceed the Maximum Load Capacity of 500 lb (227 kg).
- Always use an assistant or mechanical lifting equipment to safely lift and position equipment.
- Tighten screws firmly, but do not overtighten. Overtightening can damage the items, greatly reducing their holding power.

Tools Needed for Assembly • phillips screwdriver • 3/8" socket wrench

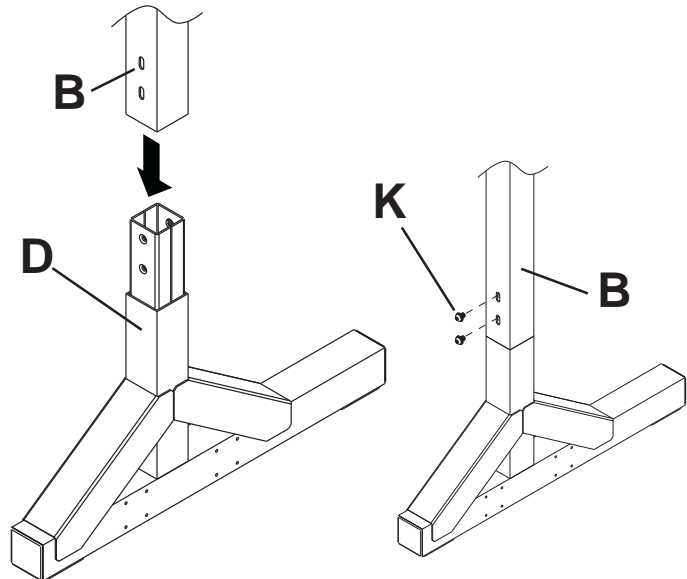
Before you start make sure all parts listed are included with your product.

PARTS LIST

Description	Qty.	Part #
A left screen mount tube	1	009-1233
B right screen mount tube	1	009-1234
C left foot assembly	1	009-1246
D right foot assembly	1	009-1247
E horizontal tube	4	009-1239
F back plate	1	009-1240
G tube cap	2	590-1289
H 1/4" split washer	42	540-9402
I 1/4" SAE flat washer	42	540-9440
J 1/4-20 x 1/2" phillips screw	38	510-9108
K M10 screw with lock washer & flat washer	4	520-1041
L 1/4-20 x 4" serrated washer hex screw	4	520-2322
M M8 x 25 mm phillips screw	16	520-1031
N 5/16" SAE washer	16	540-9406
O 5/16" split washer	16	540-9405
P 5"caster	4	600-0026

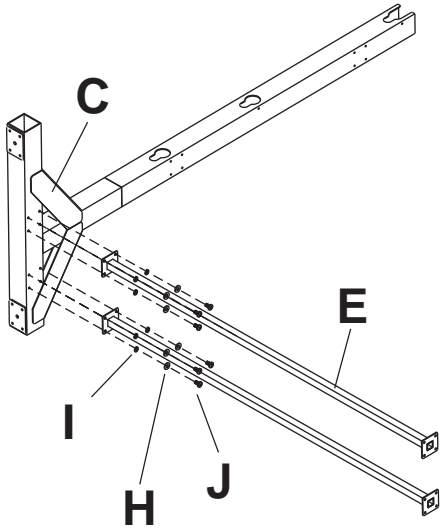


- Slide right screen mount tube (**B**) over right foot assembly (**D**). Fasten using two M10 screws with lock washers & flat washers (**K**) as shown. Repeat for left foot assembly (**C**).

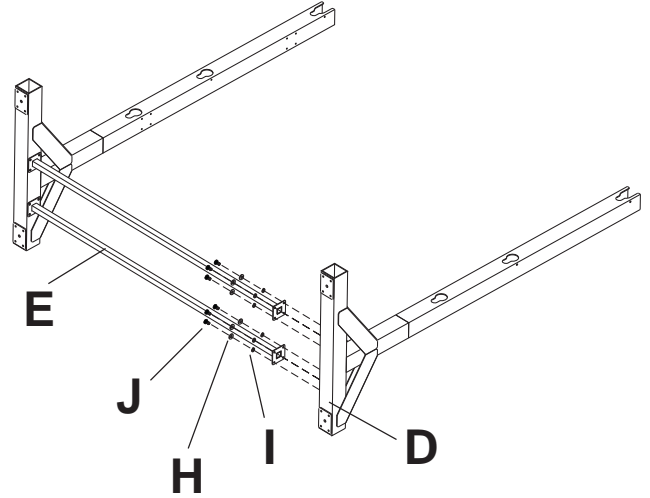


Some parts may not appear exactly as illustrated

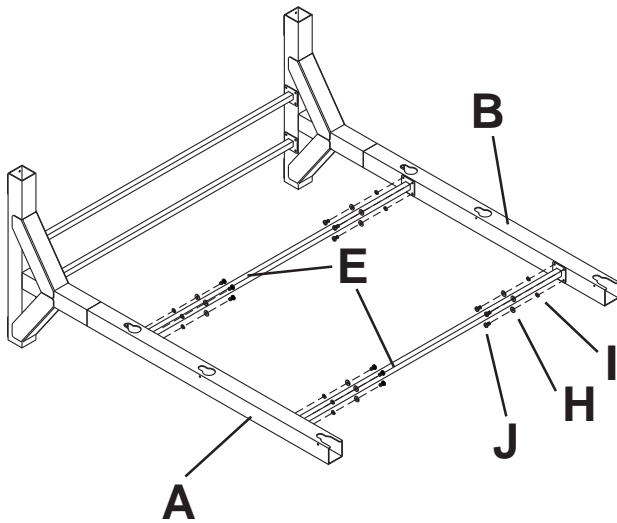
- 2** Attach horizontal support (E) to left foot assembly (C) using eight 1/4-20 x 1/2" phillips screws (J), 1/4" SAE flat washers (I) and 1/4" split washers (H).



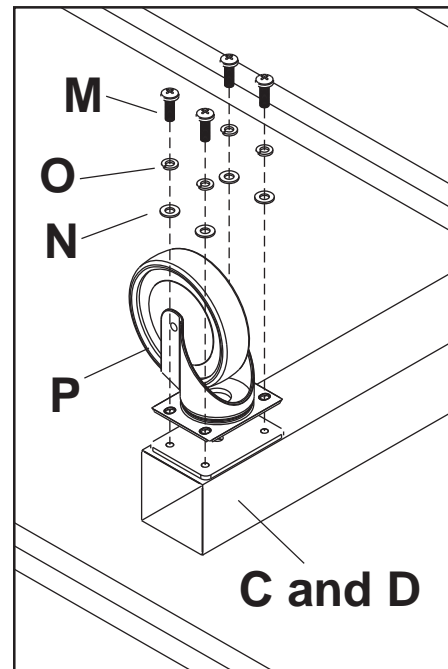
- 3** Attach right foot assembly (D) to horizontal supports (E) using eight 1/4-20 x 1/2" phillips screws (J), 1/4" SAE flat washers (I) and 1/4" split washers (H).



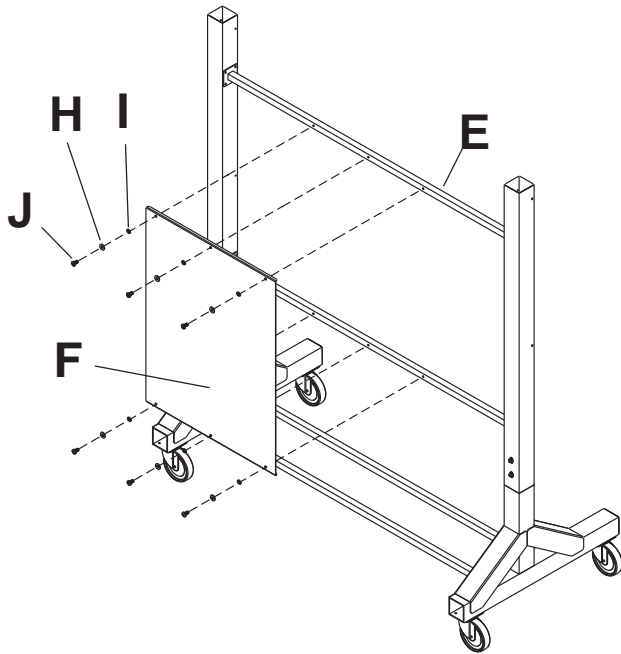
- 4** Place horizontal tube supports (B) between screen mount tubes (A and B). Attach horizontal tubes (E) using sixteen 1/4-20 x 1/2" phillips screws (J), 1/4" SAE flat washers (I) and 1/4" split washers (H).



- 5** Attach four casters (P) to left and right foot assemblies (C and D) using sixteen M8 x 25 mm pan phillips screws (M), split washers (O) and 5/16" SAE flat washers (N).

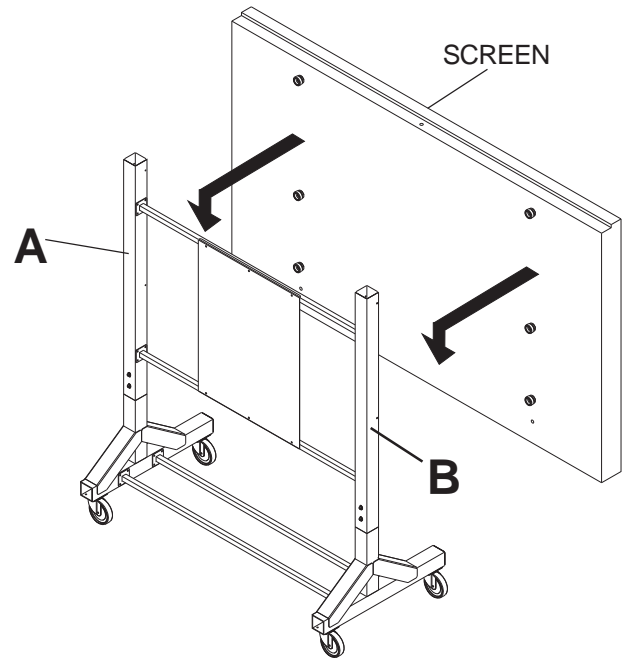


- 6** Attach back plate (F) to the back of horizontal tubes (E) with six 1/4-20 x 1/2" phillips screws (J), 1/4" SAE flat washers (I) and 1/4" split washers (H).

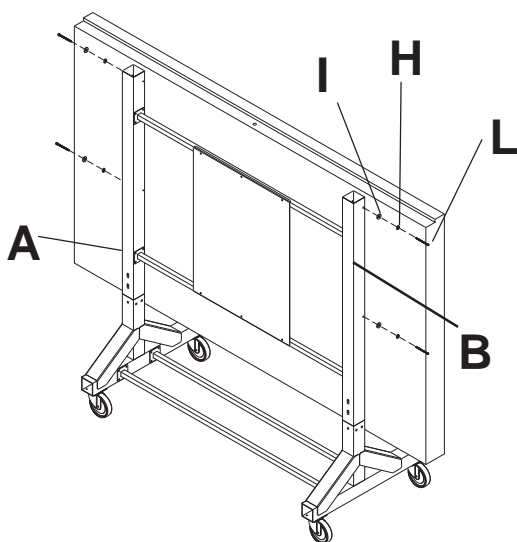


- 7** **NOTE:** When installing screen, cart **must be supported and stationary** at all times.

Hook screen into keyholes of left and right screen mount tubes (A and B).



- 8** Fasten four 1/4-20 x 4" screws (L), 1/4" split washers (H) and 1/4" SAE flat washers (I) screws into left and right screen mount tubes (A and B).



- 9** Attach two caps (G) to the ends of left and right screen mount assemblies (A and B).

