

PANA-C84103



Display size  
**84"-103"**



Max load  
**500lb (227.3kg)**

# Flat Panel Floor Cart

FOR PANASONIC® 4K UHD LCD DISPLAY MODELS  
TH-84LQ70U, TH-84LQ70LU, TH-98LQ70U AND TH-98LQ70LU

Engineered for large format Panasonic® displays, the PANA-C84103 Flat Panel Cart offers a robust and stylish design making it perfect for any type of application - from rental and staging, to broadcast studios. This flat panel cart's durable 5" swivel casters provide easy maneuverability over various flooring surfaces and doorways. Locking casters ensure complete stability wherever the cart is placed, while adjustable cable management channels and rear media storage shelf assures a clean and organized presentation.

*This rugged cart from Peerless-AV® has been engineered to match the durability of today's large format display from Panasonic®.*

## Additional Features

- ✓ Cable management through rear adjustable cable centralizing brackets
- ✓ Designed for quick set-up and tear down
- ✓ Aluminum frame reduces the overall weight and shipping costs



RoHS

info@peerless-av.com  
peerless-av.com

peerless-AV®

**PANA-C84103** Flat Panel Floor Cart for Panasonic® 4K UHD LCD Display Models TH-84LQ70U, TH-84LQ70LU, TH-98LQ70U and TH-98LQ70LU

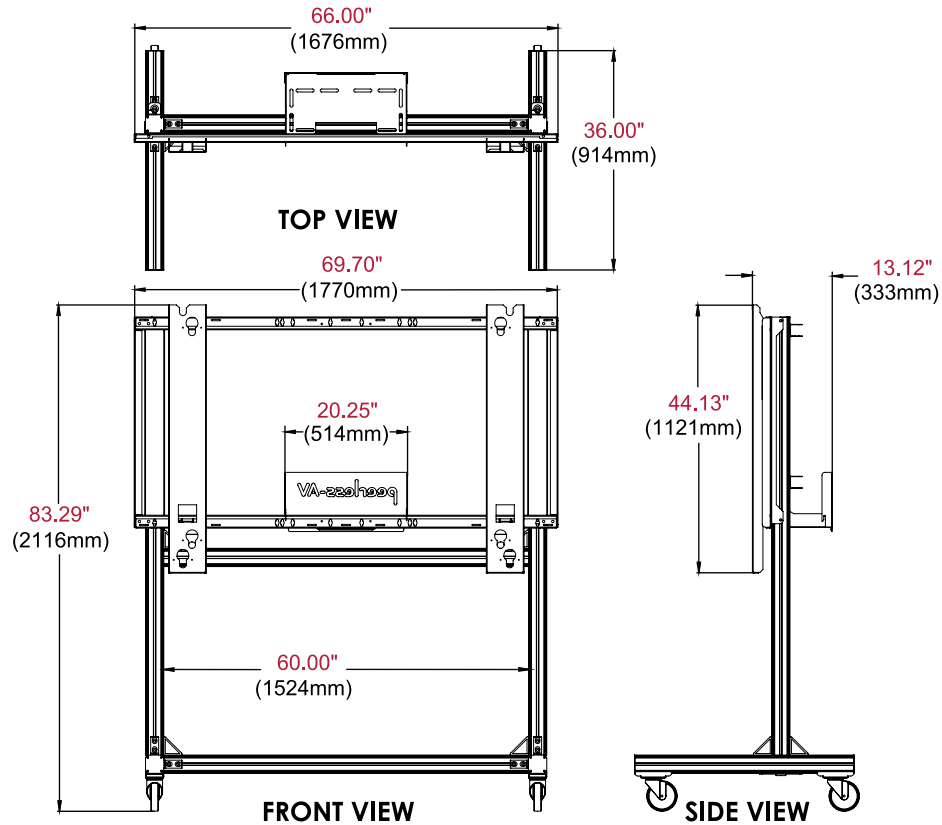
**Product Specifications**

	DIMENSIONS (W x H x D)	PRODUCT WEIGHT	LOAD CAPACITY	FINISH	AVAILABLE COLORS
<b>PANA-C84103</b>	66.00" x 83.29" x 36.00" (1676 x 2116 x 914mm)	150lb (68kg)	500lb (227.3kg)	Powder Coat	Black

**Package Specifications**

	PACKAGE SIZE (W x H x D)	PACKAGE SHIP WEIGHT	PACKAGE UPC CODE	PACKAGE CONTENTS	UNITS IN PACKAGE
<b>PANA-C84103</b>	77.00" x 39.00" x 13.00" (1212 x 268 x 978mm)	205lb (93kg)	735029309215	Cart, shelf and mounting hardware	1

All dimensions = inch (mm)



**Architect Specifications**

The Flat Panel Floor Cart for Panasonic® 4K UHD LCD Display shall be a Peerless-AV model PANA-C84103 and shall be located where indicated on the plans. Assembly and installation shall be done according to instructions provided by the manufacturer.

Visit [peerless-av.com](http://peerless-av.com) to see the complete line of AV solutions from Peerless-AV, including outdoor displays, wireless, kiosks, digital audio, display mounts, projector mounts, carts/stands, and a full assortment of accessories.

**Peerless-AV**  
2300 White Oak Circle  
Aurora, IL 60502 USA  
**(800) 865-2112**  
**(630) 375-5100**  
**Fax: (800) 359-6500**

**Peerless-AV Europe**  
Unit 3 Watford Interchange  
Colonial Way, Watford  
Herts, WD24 4WP  
United Kingdom  
**+44 (0) 1923 200100**  
**Fax: +44 (0) 1923 200101**

**Peerless-AV de México**  
Ave de las Industrias 413  
Parque Industrial Escobedo  
Escobedo, N.L.,  
Mexico 66050  
**+52 (81) 8384-8300**  
**Fax: +52 (81) 8384-8360**

