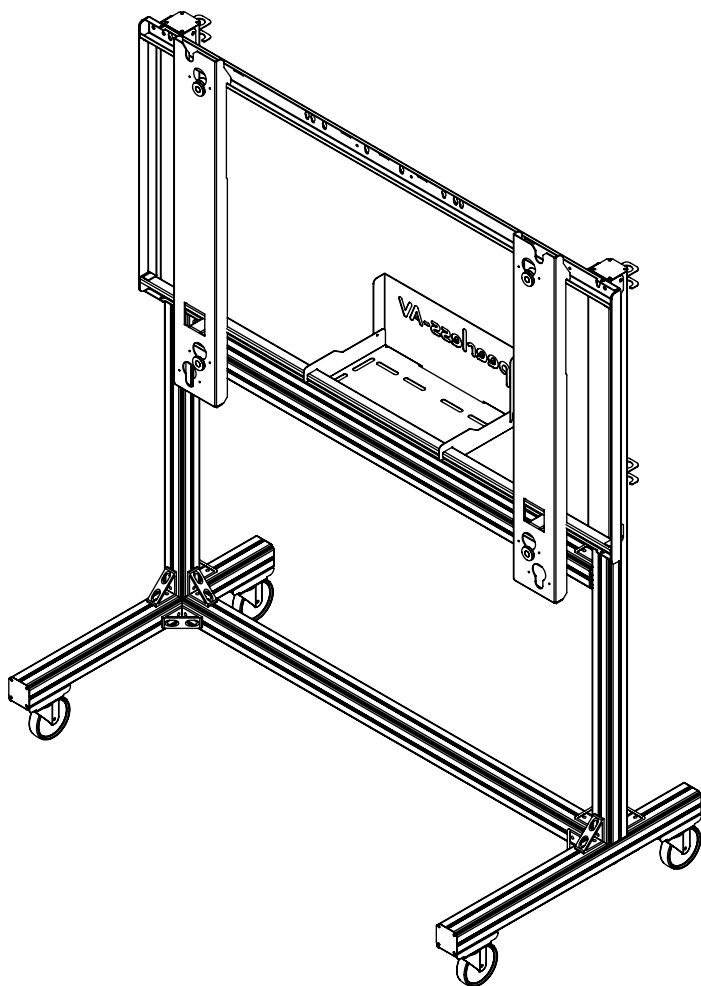
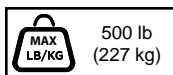


# peerless-AV<sup>®</sup>

## PANA-C84103



## ▲ WARNING

ENG - Do not begin to install product until you have read and understood the instructions and warnings contained in this user guide. Always use an assistant or mechanical lifting equipment to safely lift and position equipment. This product must be installed onto flat, hard, level surface to prevent tipping. Use with heavier displays may result in instability causing tip over resulting in death or serious injury. The cart or stand is not affixed or secured to the floor, and may therefore tip over and/or fall if screen and/or stand is shaken or hit. This product is intended for indoor use only. Use of this product outdoors could lead to product failure or personal injury. Screws must be tightly secured. Do not overtighten screws or damage can occur and product may fail. Never exceed the Maximum Load Capacity. Be careful not to pinch fingers when operating the mount. Death or serious injury may occur when children climb on audio and/or video equipment furniture. A remote control or toys placed on the furnishing may encourage a child to climb on the furnishing and as a result the furnishing may tip over on to the child. Relocating audio and/or video equipment to furniture not specifically designed to support audio and/or video equipment may result in death or serious injury due to the furnishing collapsing or over turning onto a child. For support please call customer care at 1-800-865-2112.

ENG Symbols



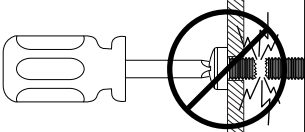
ENG WARNING



ENG Screws must get at least three full turns and fit snug.

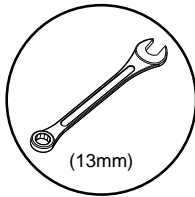
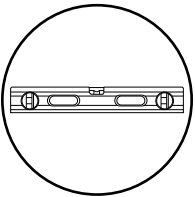


ENG Display center.



ENG Do not overtighten screws.

ENG Tools Needed for Assembly.

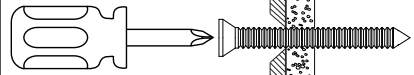


(13mm)

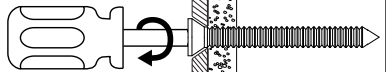


To properly tighten screws: Tighten until screw head makes contact, then tighten another 1/2 turn. Do not overtighten screws.

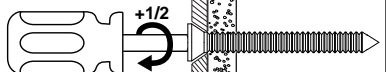
1



2



3



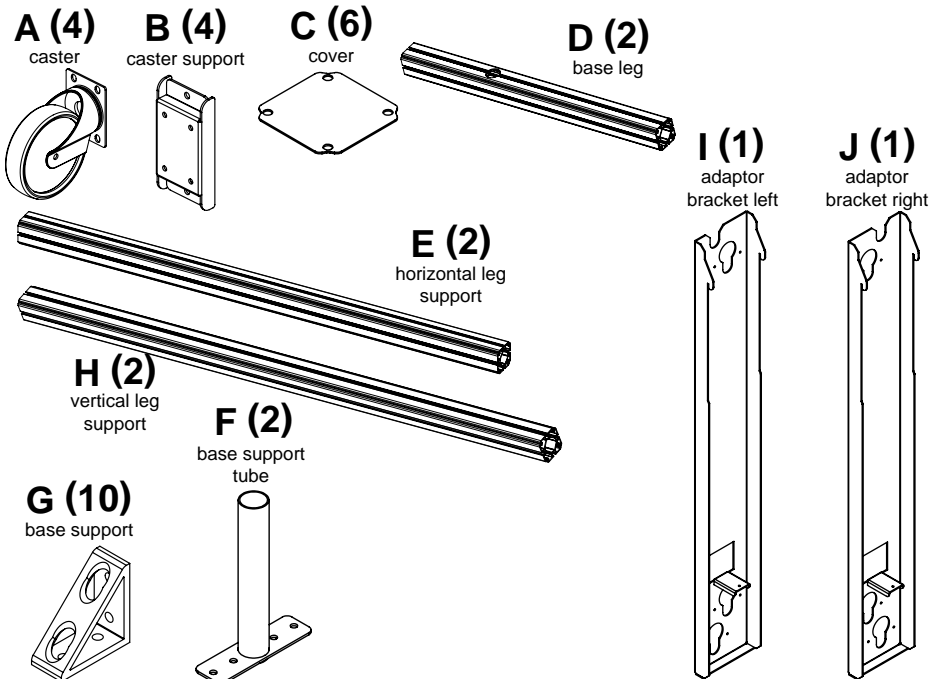
4

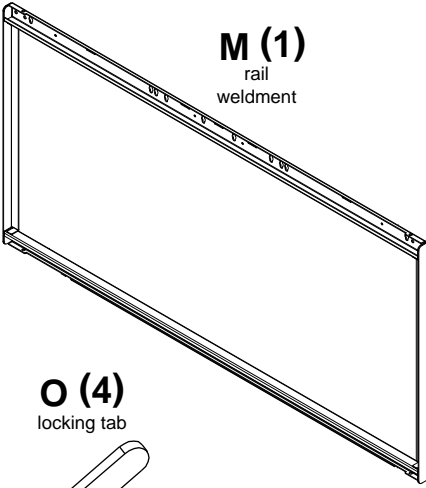


**ENG** This page was intentionally left blank

Parts (Before beginning, make sure you have all parts shown below).

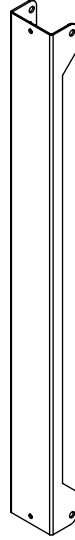
Parts List		
Description	Qty	Part #
<b>A</b> caster, 5" swivel	4	600-0026
<b>B</b> caster support	4	145-T1799
<b>C</b> cover	6	145-T1809
<b>D</b> base leg	2	145-T1767
<b>E</b> horizontal leg support	2	145-T1785
<b>F</b> base support tube	2	145-T1812
<b>G</b> base support	10	560-T1261
<b>H</b> vertical leg support	2	146-T1131
<b>I</b> adaptor bracket left	1	146-T1298
<b>J</b> adaptor bracket right	1	146-T1299
<b>K</b> computer cover	1	145-T1930
<b>L</b> computer shelf	1	145-T1931
<b>M</b> rail weldment	1	146-T1295
<b>N</b> cord bracket	4	146-T1321
<b>O</b> locking tab	4	145-T1936
<b>P</b> M8 x 16mm socket button screw	84	520-9527
<b>Q</b> M8 square nut	64	530-1066
<b>R</b> cover clip	24	590-0317
<b>S</b> M5 x 10mm type-f, socket pin screw	6	520-1164
<b>T</b> M5 x 12mm socket pin screw	4	520-1064
<b>U</b> 1/4" power bit	1	560-0263
<b>V</b> 5mm allen wrench	1	560-9640
<b>W</b> lock tab	2	201-T1204
<b>X</b> vertical support bracket	2	146-T1296
<b>Y</b> 4mm allen wrench	1	560-9646
<b>Z</b> clip hook bracket	2	146-T1320
<b>AA</b> M5 x 30mm socket pin screw	2	520-1112
<b>BB</b> cable tie	8	560-9711



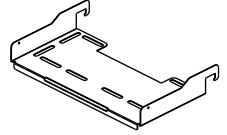


**M (1)**  
rail  
weldment

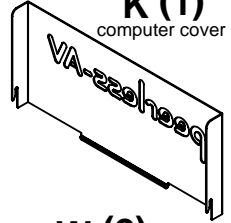
**X (2)**  
vertical support  
bracket



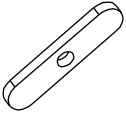
**L (1)**  
computer shelf



**K (1)**  
computer cover



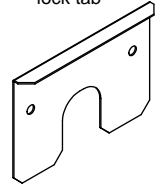
**O (4)**  
locking tab



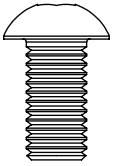
**AA (2)**  
M5 x 30mm



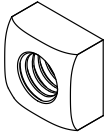
**W (2)**  
lock tab



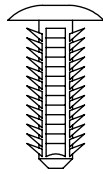
**P (84)**  
M8 x 16mm



**Q (64)**  
M8 square nut



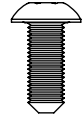
**R (24)**  
cover clip



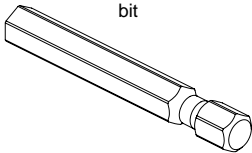
**S (6)**  
M5 x 10mm



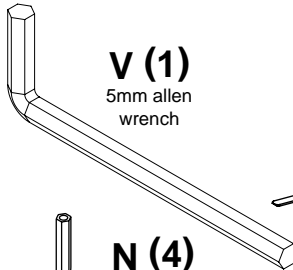
**T (4)**  
M5 x 12mm



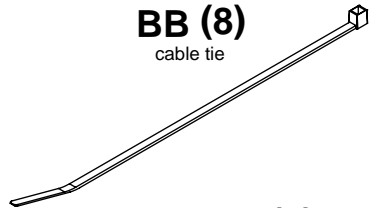
**U (1)**  
1/4" power  
bit



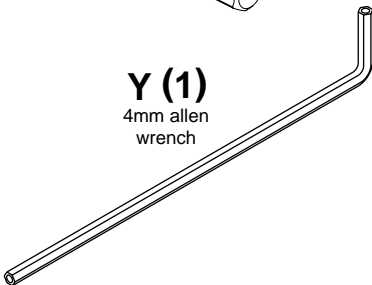
**V (1)**  
5mm allen  
wrench



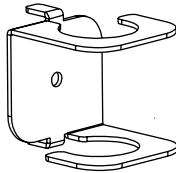
**BB (8)**  
cable tie



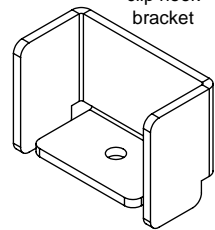
**Y (1)**  
4mm allen  
wrench



**N (4)**  
cord  
bracket

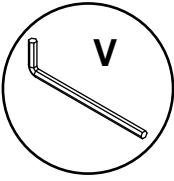


**Z (2)**  
clip hook  
bracket

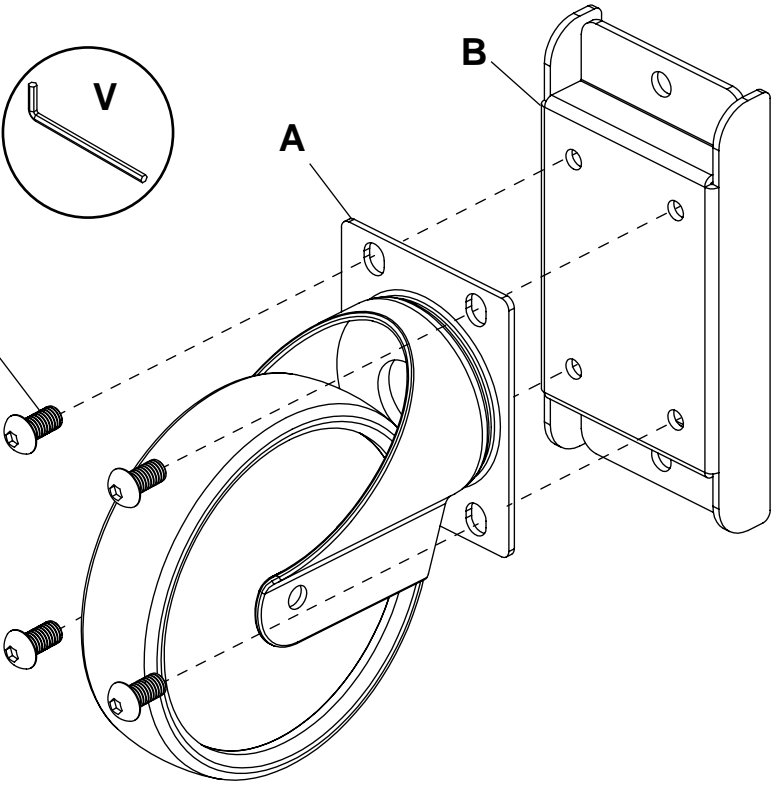


1-1

x4

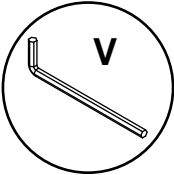


P (4)

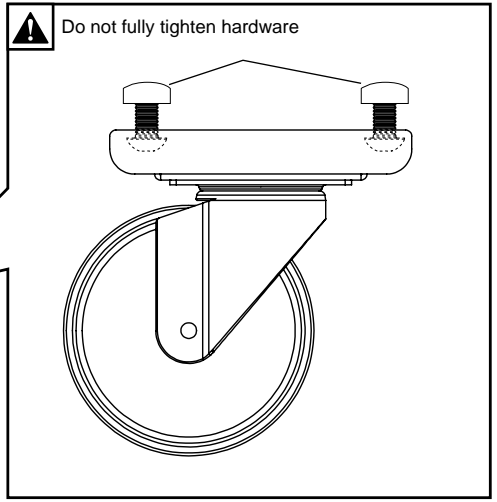


1-2

x4

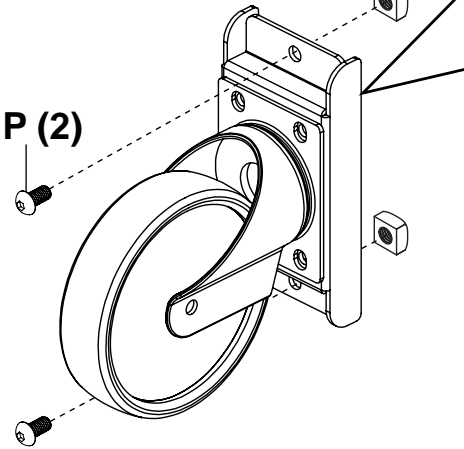


Q (2)



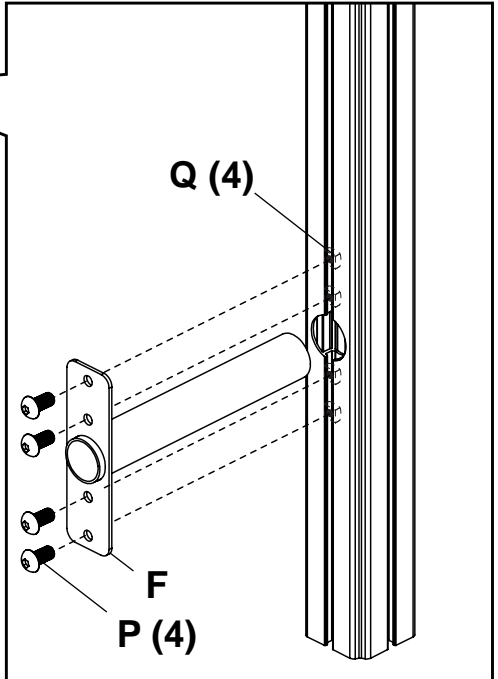
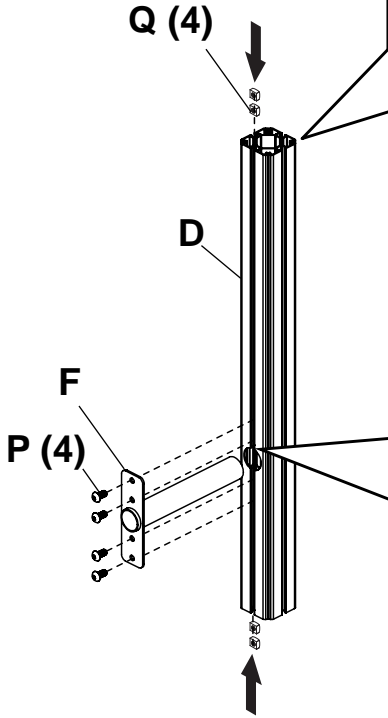
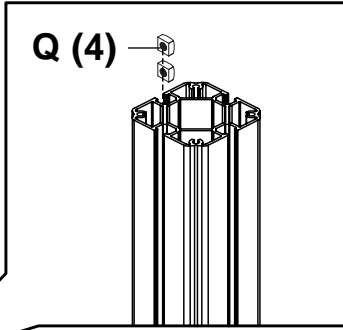
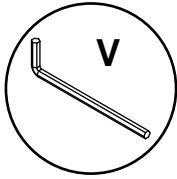
SIDE VIEW

P (2)



2

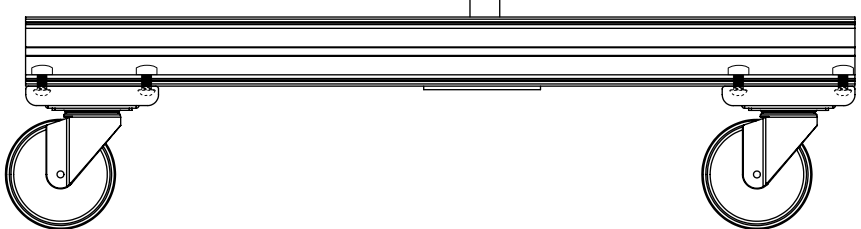
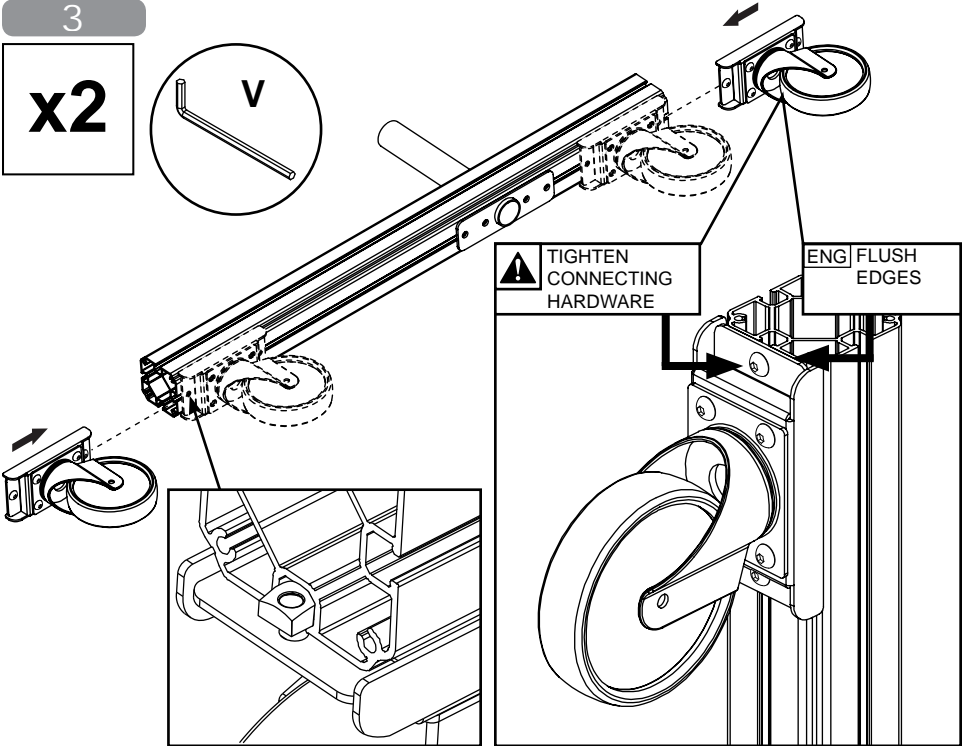
x2



3

x2

V

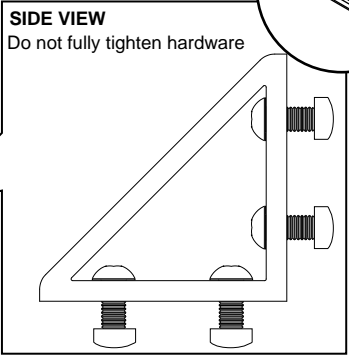
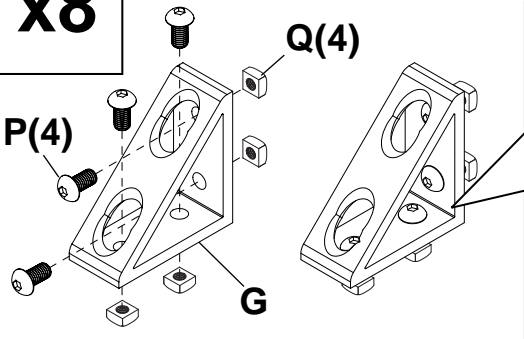


ENG Casters must be flush to end of horizontal leg support.

4

x8

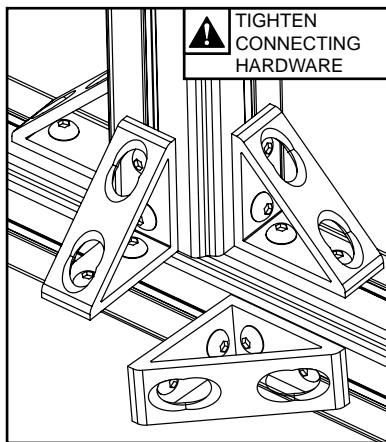
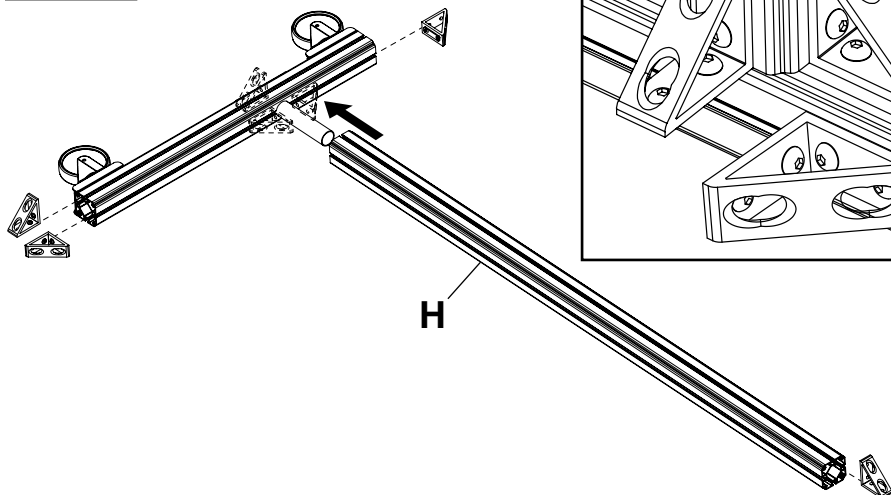
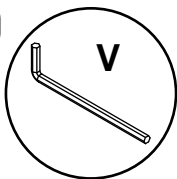
V



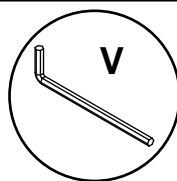
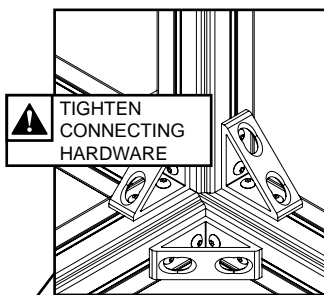
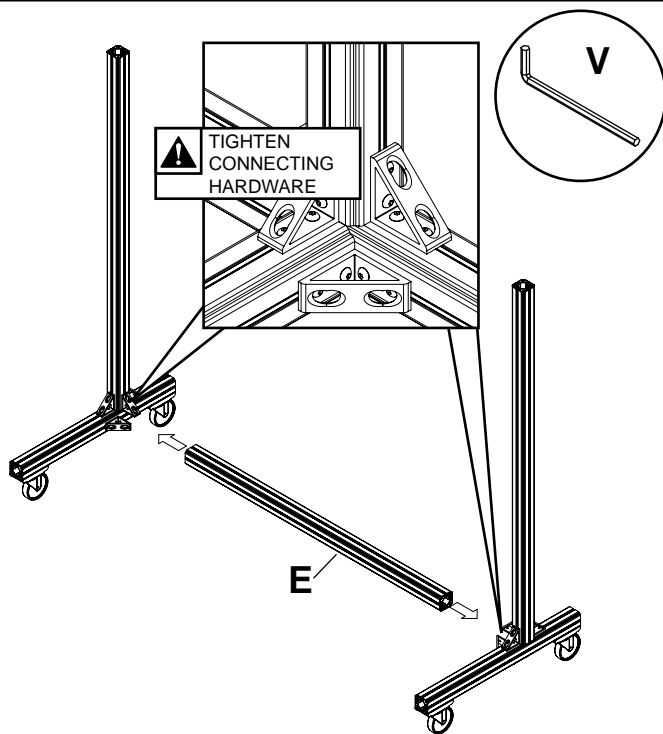
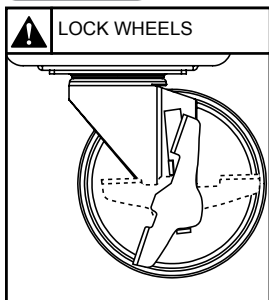


5

x2



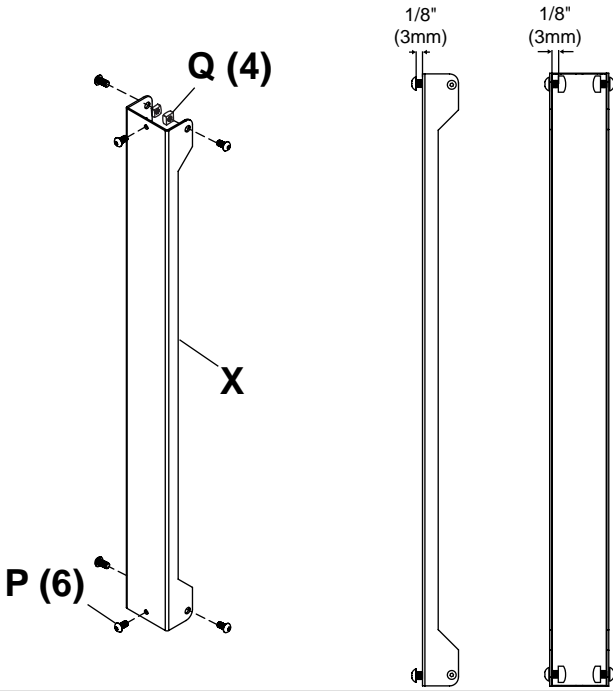
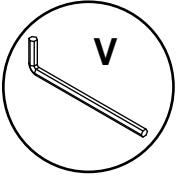
6



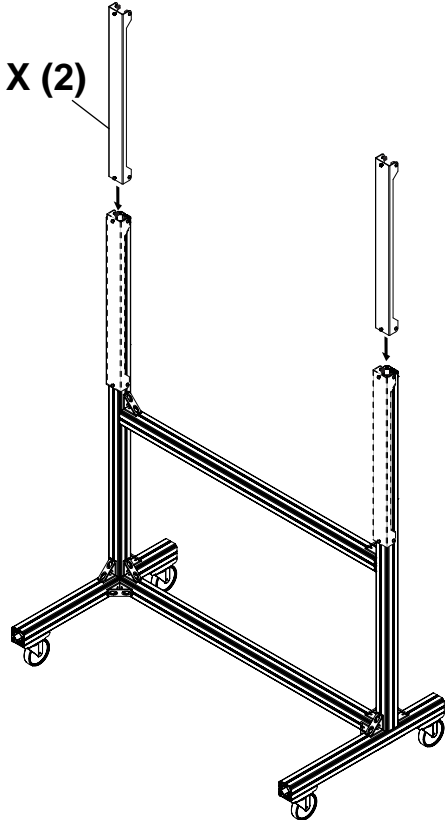
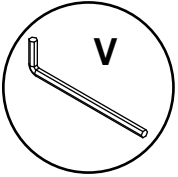


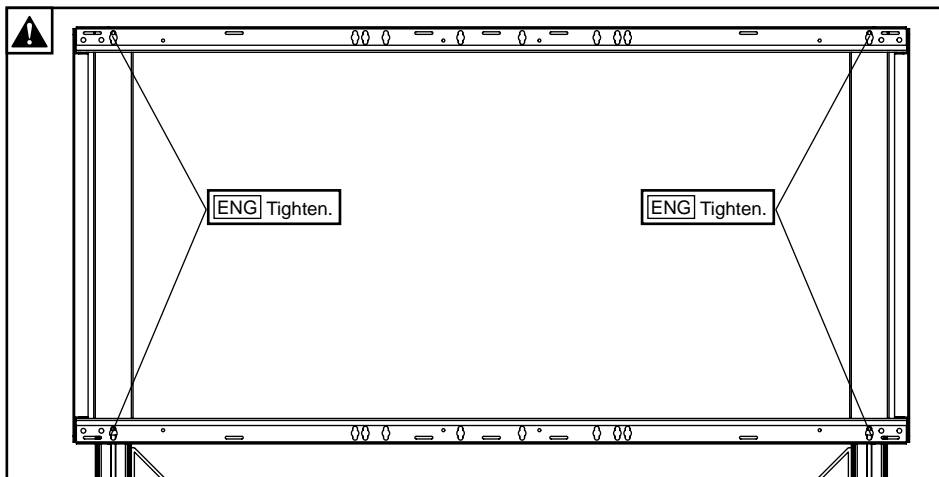
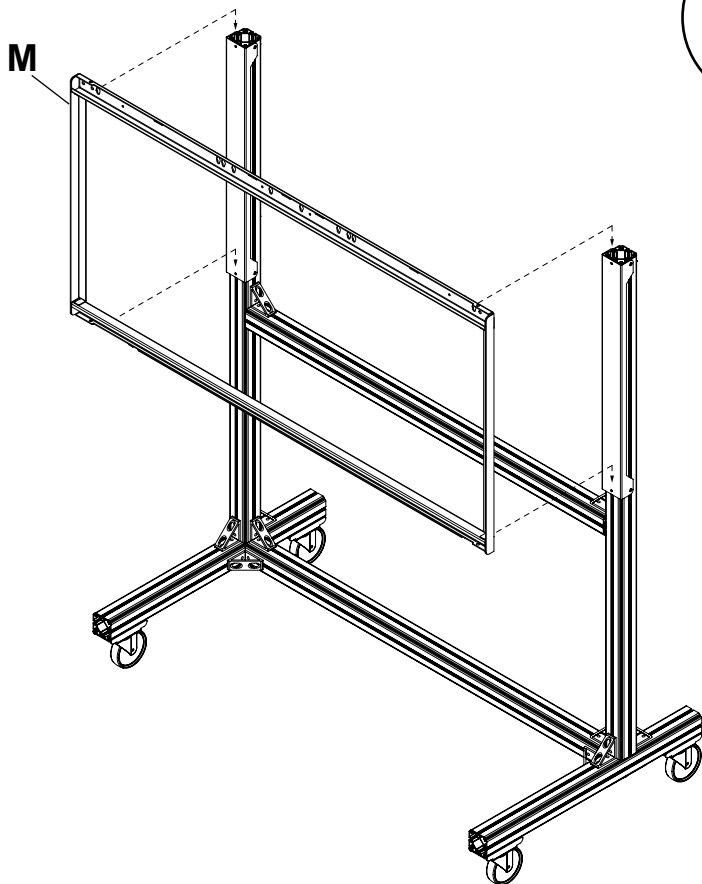
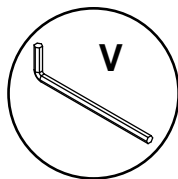
9

x2

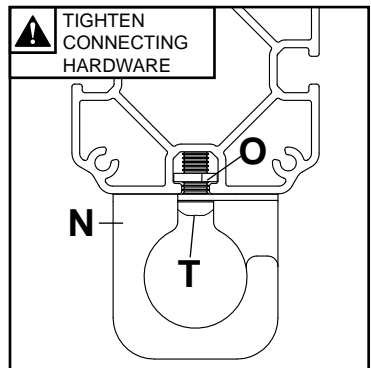
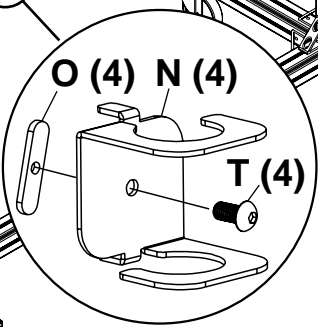
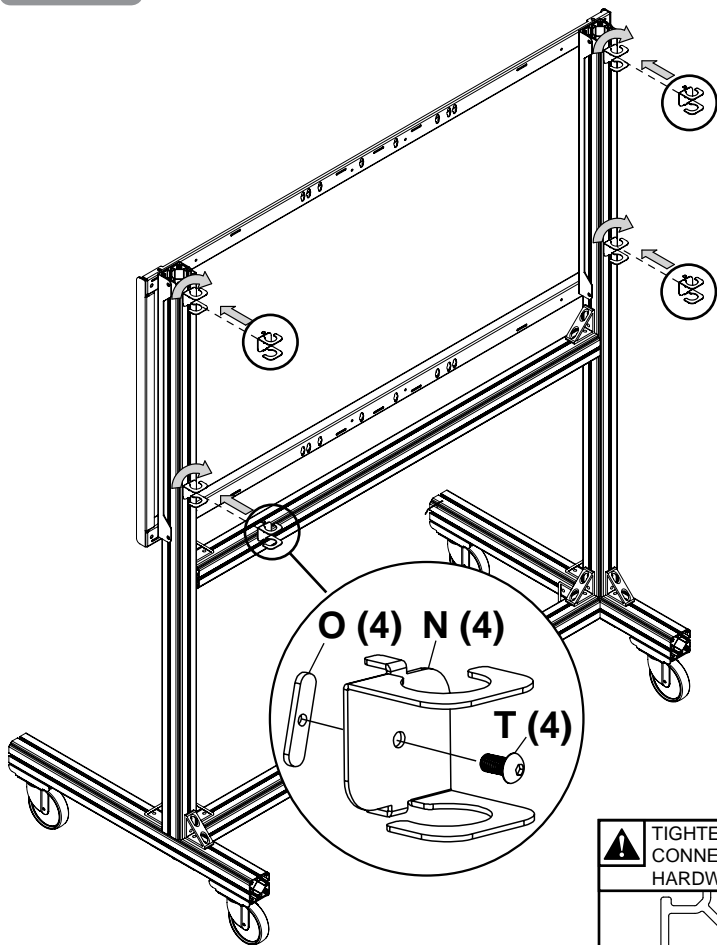


10

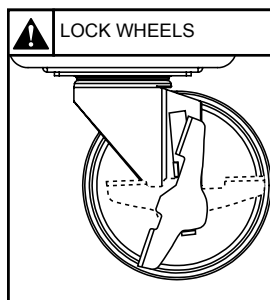


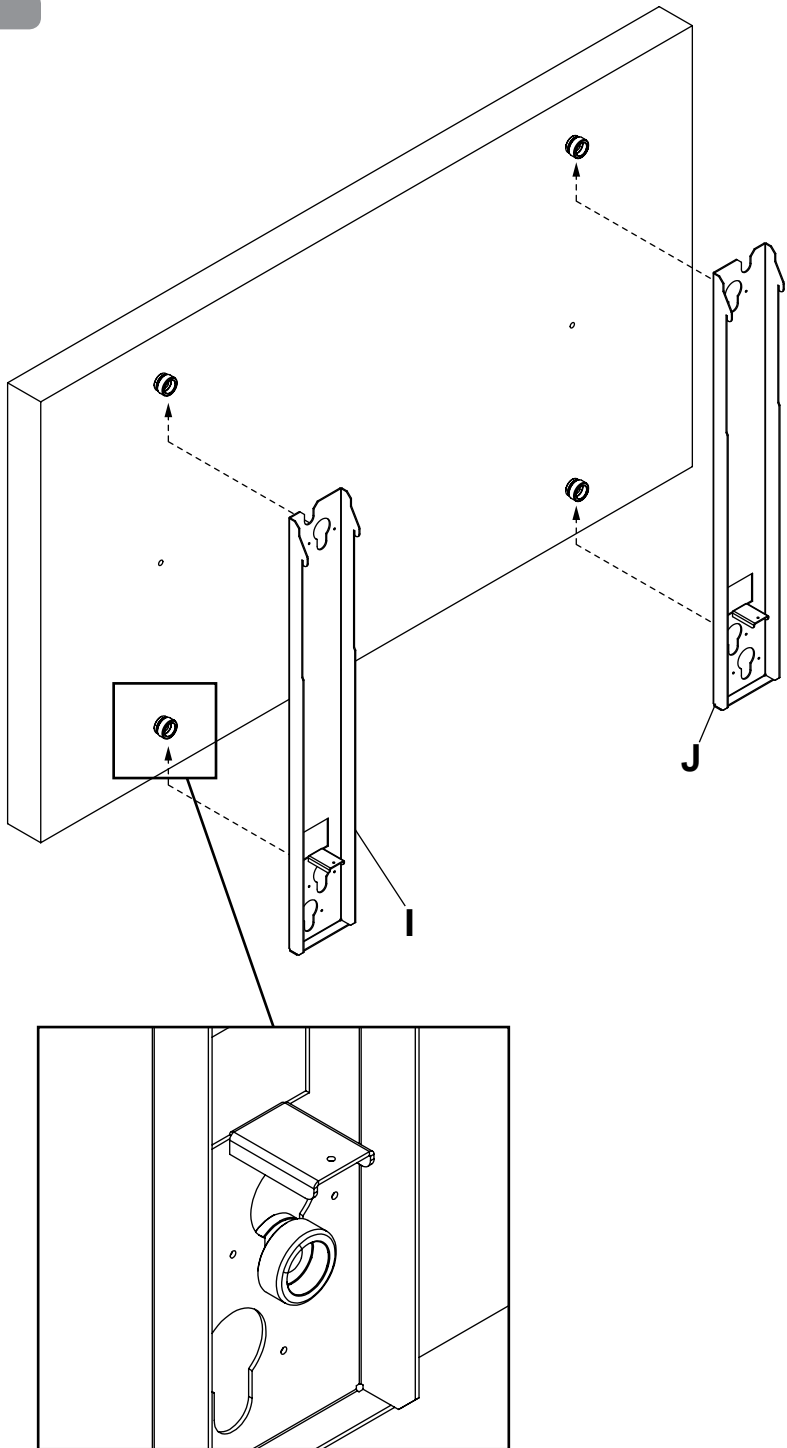


Cross support must center on vertical leg supports.

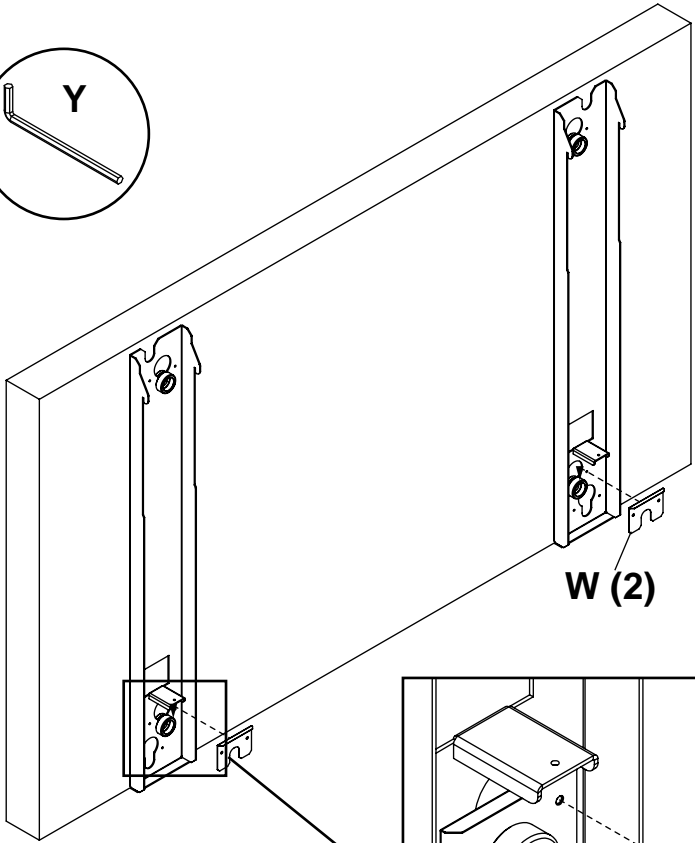
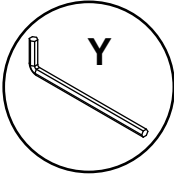


OPTIONAL: Unlock wheels to move cart to desired location; Lock wheels before hanging screens.

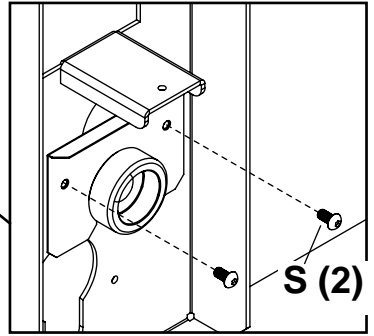




14-1

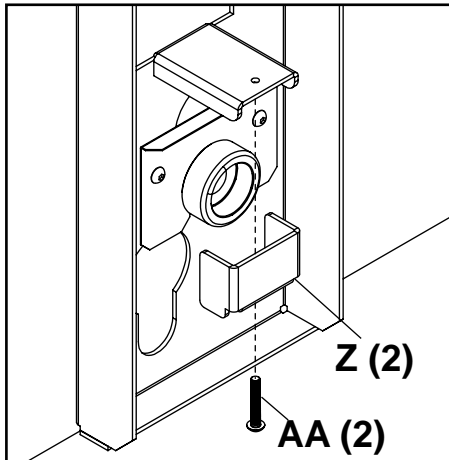
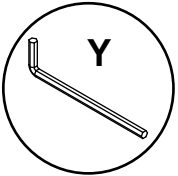


W (2)



S (2)

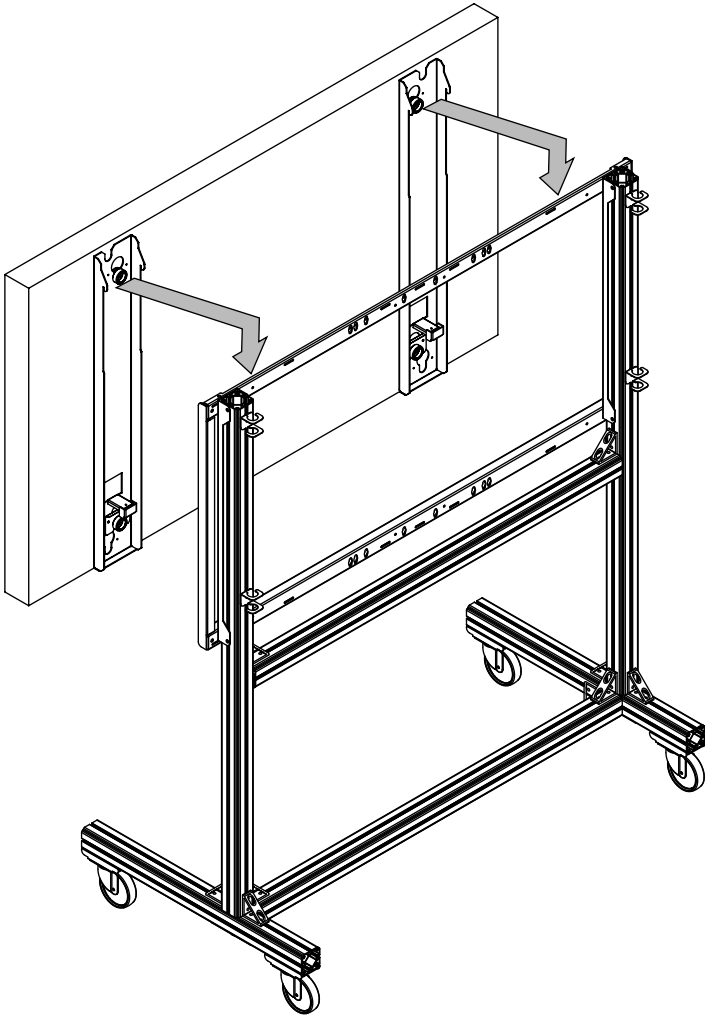
14-2



Z (2)

AA (2)

15-1

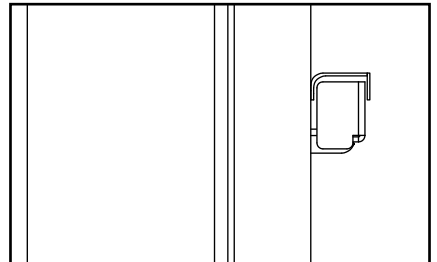
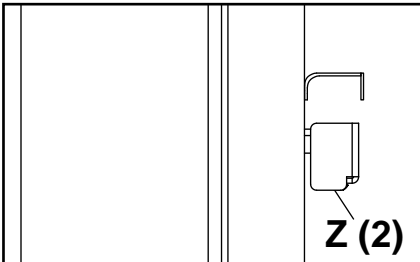


15-2

Secure screw in "locked" position.

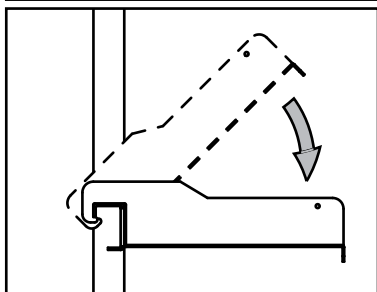
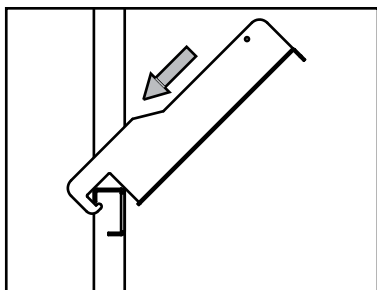
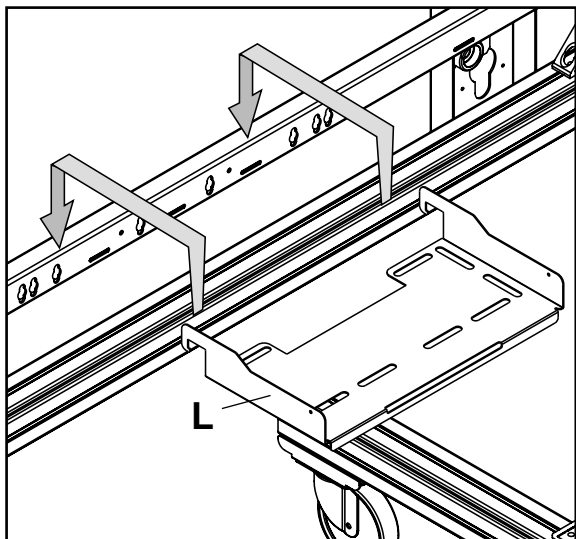
Unlocked

Locked

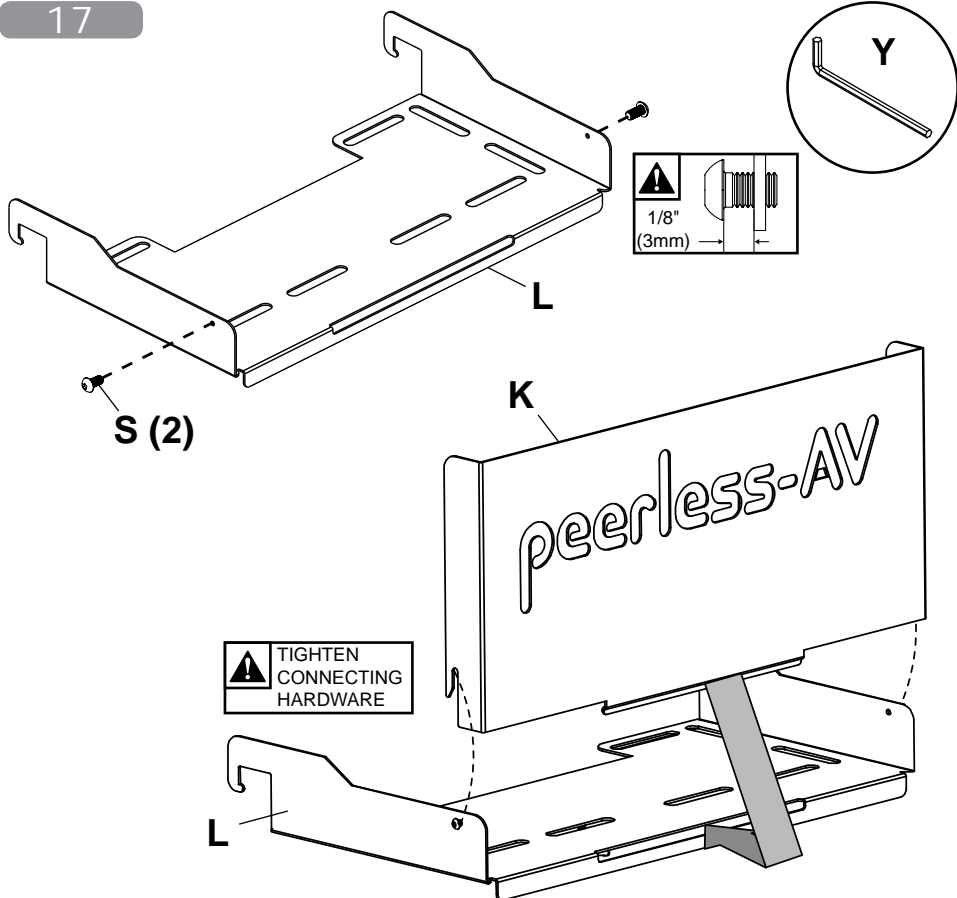




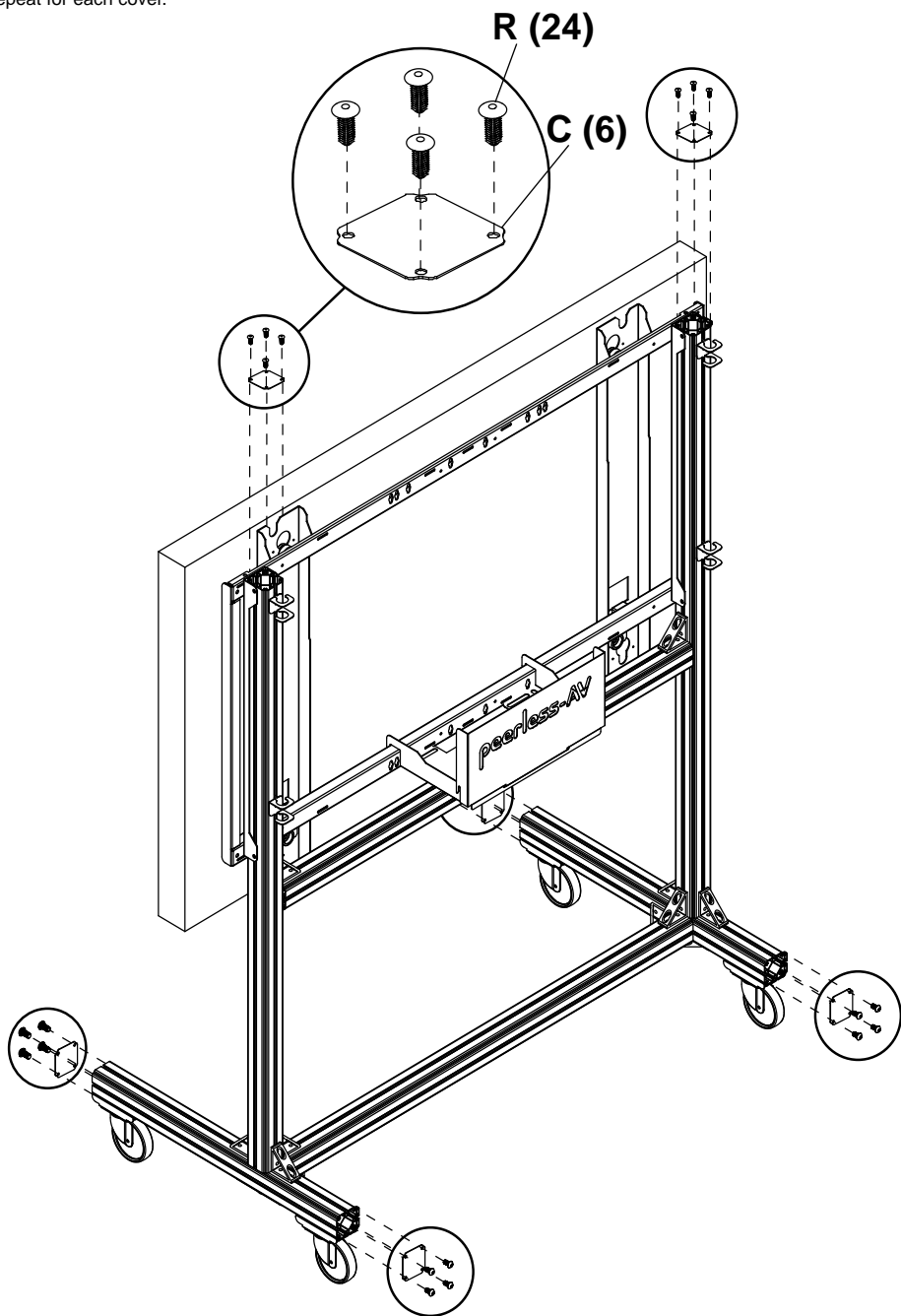
16



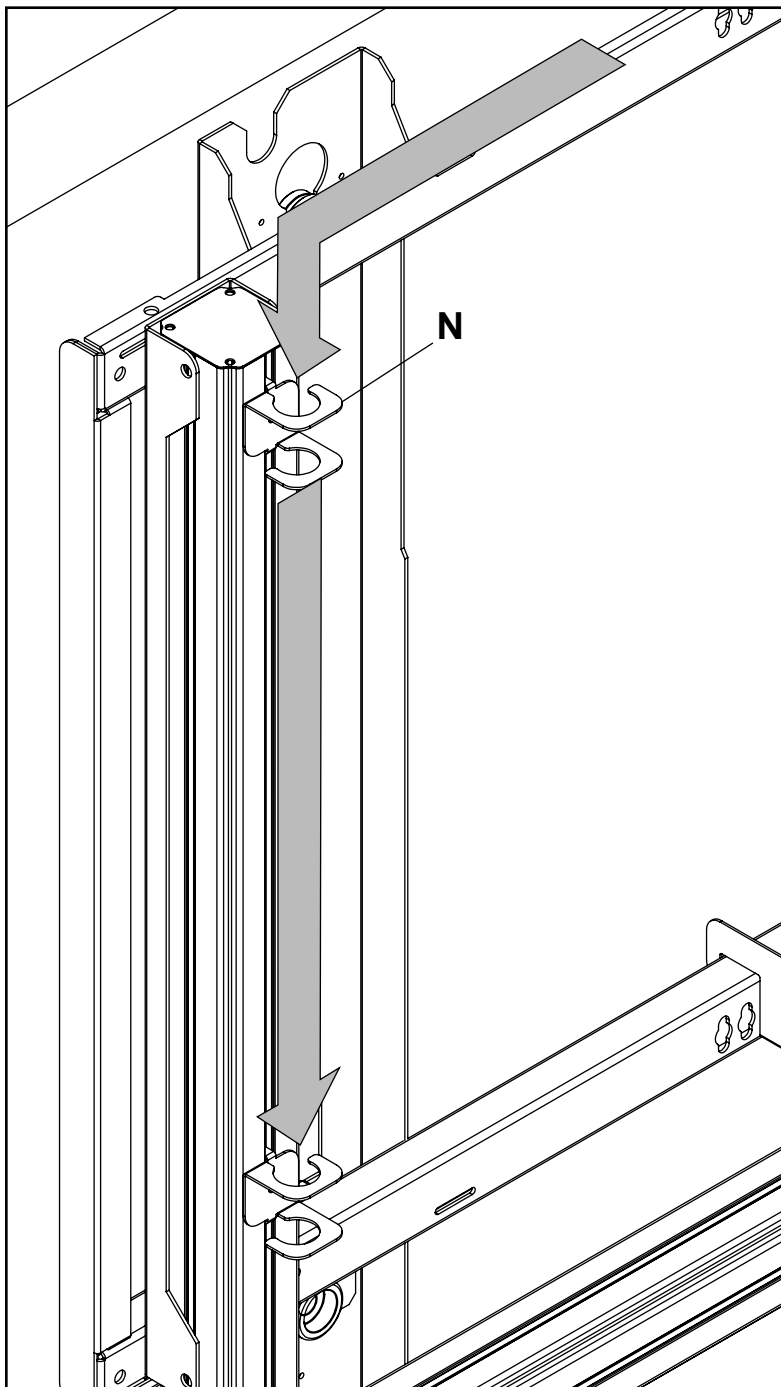
17



Repeat for each cover.



Route cables through cord brackets.



## LIMITED FIVE-YEAR WARRANTY

Peerless Industries, Inc. ("Peerless-AV") warrants to original end-users that each Peerless-AV® mounting product will be free from defects in material and workmanship, under normal use, for the applicable warranty period (from date of the original installation of the product). At its option, Peerless-AV will repair or replace, or refund the purchase price of, any product which fails to conform with this warranty.

**Any implied warranty of merchantability or fitness for a particular purpose shall be limited to the period of the express warranty set forth below.**

**In no event shall Peerless-AV be liable for incidental or consequential damages, whether or not secured by a security device which may be included with the product.**

Some states do not allow limitations on how long an implied warranty lasts, or the exclusion of incidental or consequential damages, so the above limitation and/or the above exclusion may not apply to you.

This warranty does not cover damage caused by incorrect selection, installation or the failure to follow Peerless-AV instructions or warnings when installing, using or storing the product.

This warranty gives specific legal rights, and you may also have other rights which vary from state to state. To make a warranty claim in North America, contact Peerless-AV customer care at 1-800-865-2112. See complete global warranty information for regions outside North America at [www.peerless-av.com/en-uk/customer-care/warranties-returns](http://www.peerless-av.com/en-uk/customer-care/warranties-returns).

The logo for Peerless-AV features the word "peerless" in a bold, lowercase, red sans-serif font. To its right, the letters "AV" are rendered in a red outline font, with a registered trademark symbol (®) to the upper right of the "V".

**Peerless-AV**  
2300 White Oak Circle  
Aurora, IL 60502  
Email: [tech@peerlessmounts.com](mailto:tech@peerlessmounts.com)  
Ph: (800) 865-2112  
Fax: (800) 359-6500  
[www.peerless-av.com](http://www.peerless-av.com)

© 2018, Peerless Industries, Inc.

**Peerless-AV Europe**  
Unit 3 Watford Interchange,  
Colonial Way, Watford, Herts,  
WD24 4WP, United Kingdom  
Customer Care  
44 (0) 1923 200 100  
[www.peerless-av.com](http://www.peerless-av.com)

© 2018, Peerless Industries, Inc.

**Peerless-AV de Mexico**  
Ave de las Industrias 413  
Parque Industrial Escobedo  
Escobedo N.L. Mexico 66062  
Servicio al Cliente  
01-800-849-65-77  
[www.peerless-av.com](http://www.peerless-av.com)

© 2018, Peerless Industries, Inc.