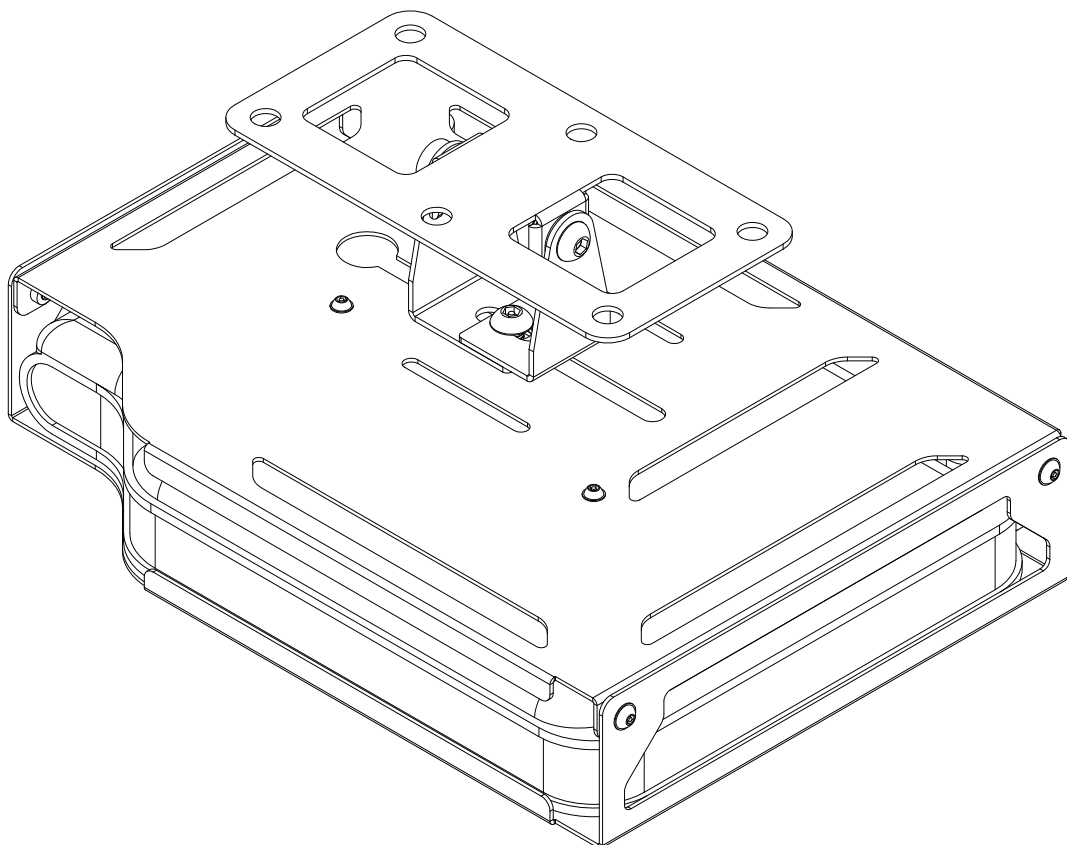




Installation and Assembly: Casio Enclosure Flush Mount Kit

Model: PCASF-W



Note: Product may be different than illustrated.

! WARNING

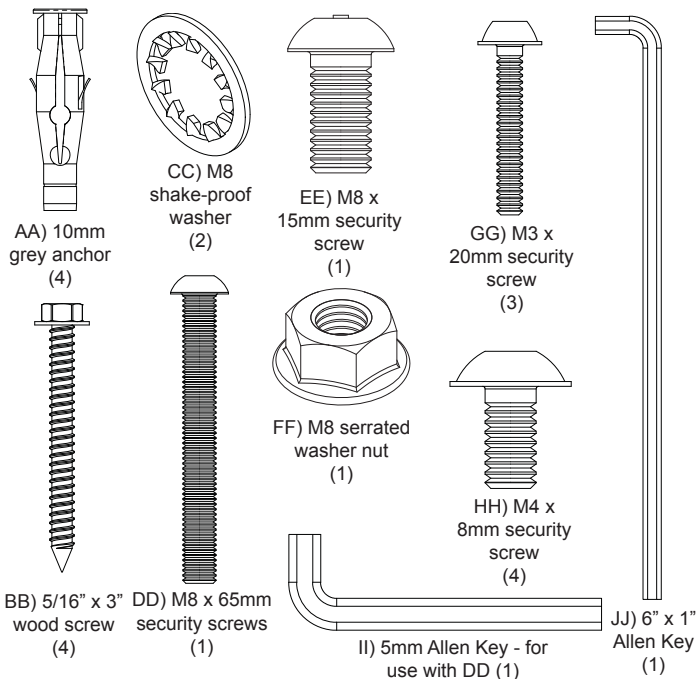
- Do not begin to install your Peerless product until you have read and understood the instructions and warnings contained in this Installation Manual. If you have any questions regarding any of the instructions or warnings, please contact Peerless using the information on the back of this manual.
- This product should only be installed by someone of good mechanical aptitude, has experience with basic building construction and fully understands these instructions.
- Make sure that the supporting surface is in good condition and will safely support the combined load of the equipment and all attached hardware and components.
- Never exceed the Maximum Load Capacity on Page One.
- If mounting to wood stud or joist, make sure that mounting screws are anchored into the centre of the studs. Use of an "edge-to-edge" stud finder is highly recommended.
- If mounting to concrete, breeze block, brick or other masonry material, do not drill into mortar joints. Ensure screw and anchor are installed into solid areas of surface.
- Always use an assistant or mechanical lifting equipment to safely lift and position equipment.
- Tighten screws firmly, but do not overtighten. Overtightening can damage the screws, greatly reducing their holding power.
- This product is intended for indoor use only. Use of this product outdoors could lead to product failure and personal injury.
- This product was designed to be installed on the following surfaces only:

WALL CONSTRUCTION <input checked="" type="checkbox"/> Concrete, breeze block <input checked="" type="checkbox"/> Wood joist <input checked="" type="checkbox"/> Other surfaces	HARDWARE Included Included See Accessories or contact Peerless
--	--

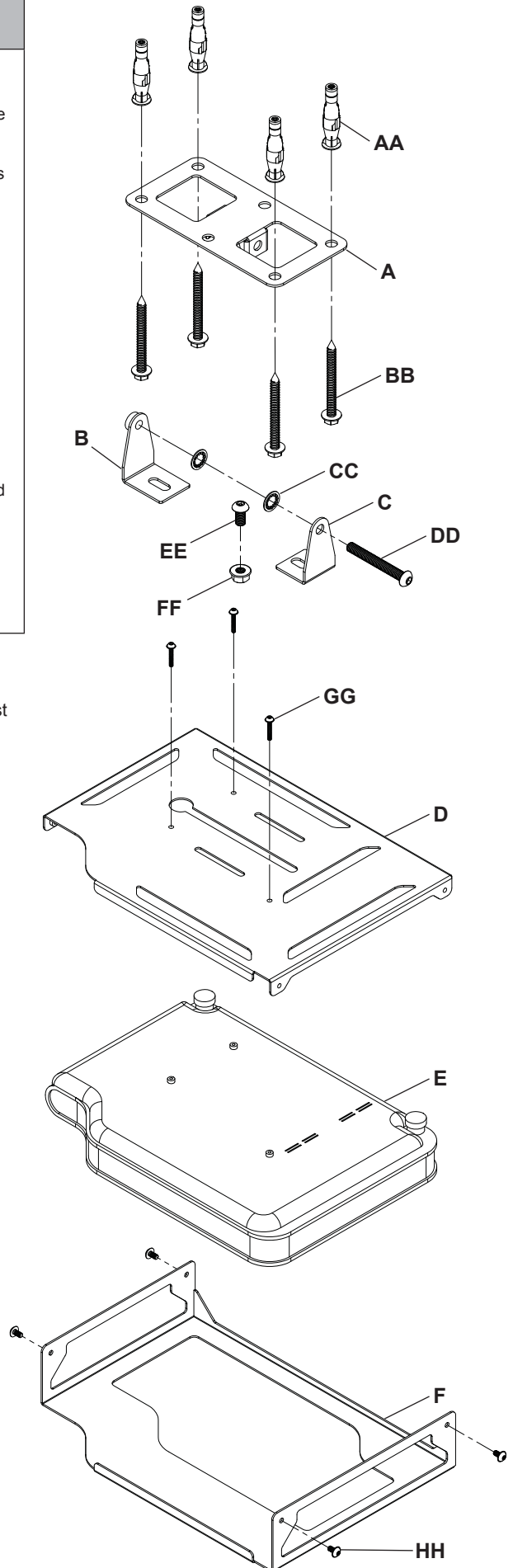
Tools Needed for Assembly

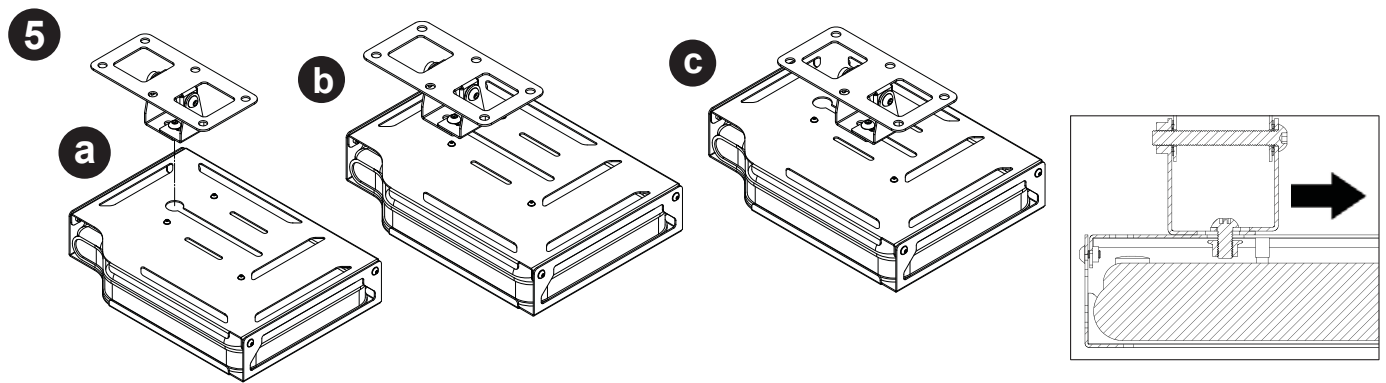
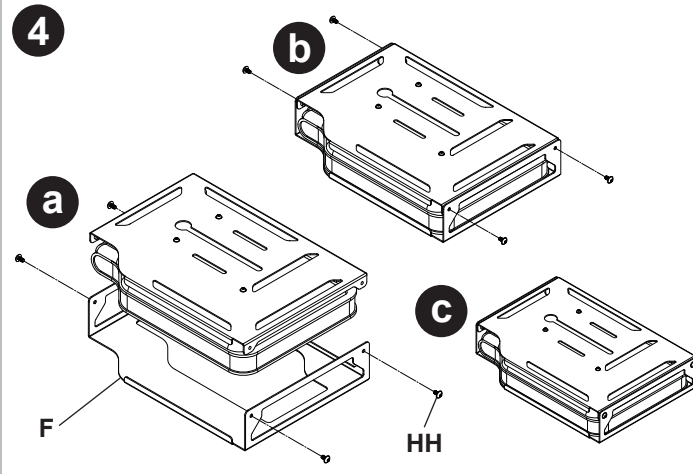
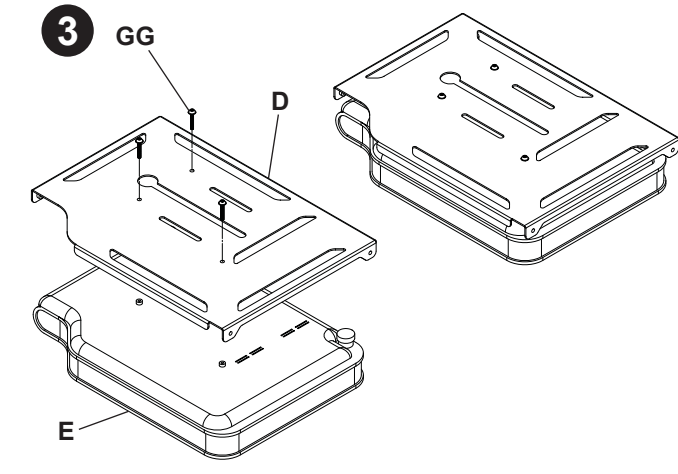
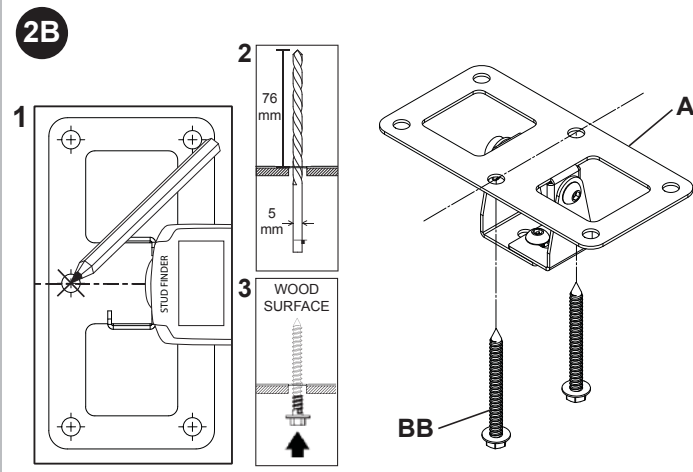
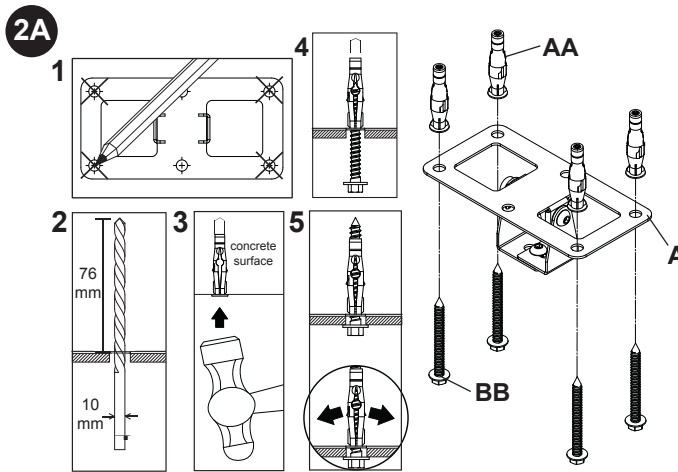
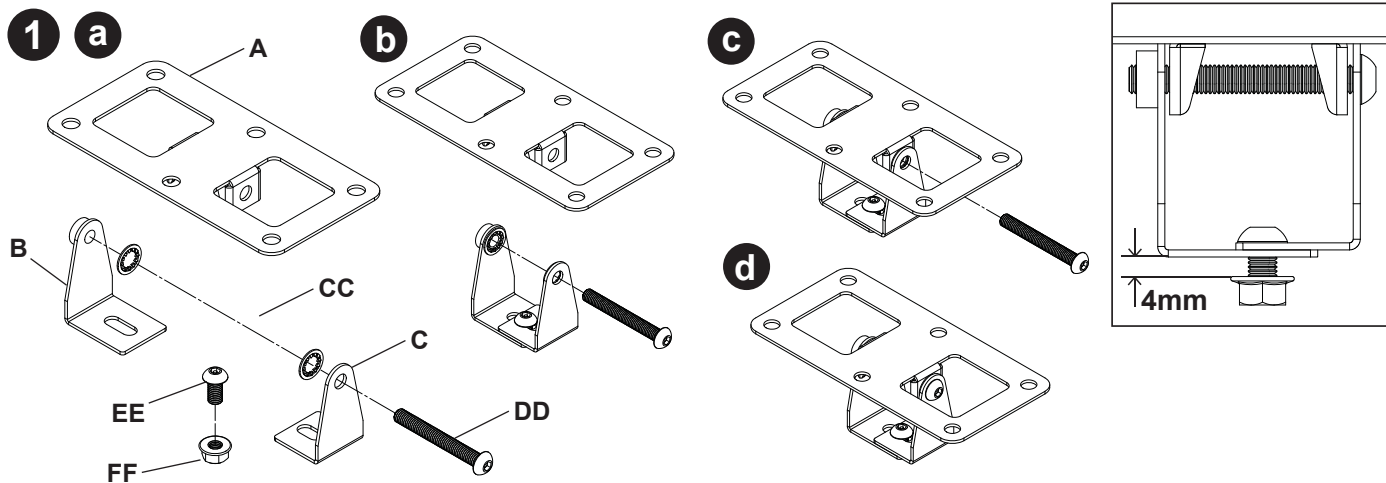
- Pencil for marking out hole centres
- Electric Drill
- 10 mm (3/8") masonry drill bit for concrete, 5mm (7/32") drill bit for wood joist
- 11mm (7/16") socket wrench for wood screw
- Stud finder ("edge-to-edge" stud finder is recommended)

Installation Screw Pack contents:



Parts List		Qty
A	Flush ceiling plate	1
B	Bottom tilt bracket	1
C	Top tilt bracket	1
D	Top Cage	1
E	Casio Projector (not included)	1
F	Bottom Cage	1





peerless-AV
uk

Peerless-AV UK

Unit 3 Watford Interchange, Colonial Way,
Watford, Herts WD24 4WP, United Kingdom

Tel: +44 (0)1923 200 100
Fax: +44 (0)1923 200 101
Email: info@peerless-av.co.uk
Web: www.peerless-av.co.uk

BBG Distribution Ltd, trading as Peerless-AV UK

peerless-AV
uk