

# PCASPRM-W

## Casio Enclosure Promethean Pole Adaptor Kit Dedicated for Casio Green Slim XJ-A Series projectors

With the advent of the sleek Green Slim Series projectors from Casio, Peerless has developed a range of mounting solutions that feature a dedicated enclosure to protect the projector from damage and theft, while complementing its clean aesthetics. This enclosure is designed to conceal the projector from all sides, while providing ample access for all input points and ventilation.

The PCASPRM-W is a retrofittable kit that accommodates a Promethean OEM M14 to M16 threaded connection to provide a cost-effective changeover. Once mounted, this kit offers tilt, swivel, and lateral adjustability to provide the perfect image registration.



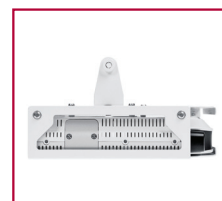
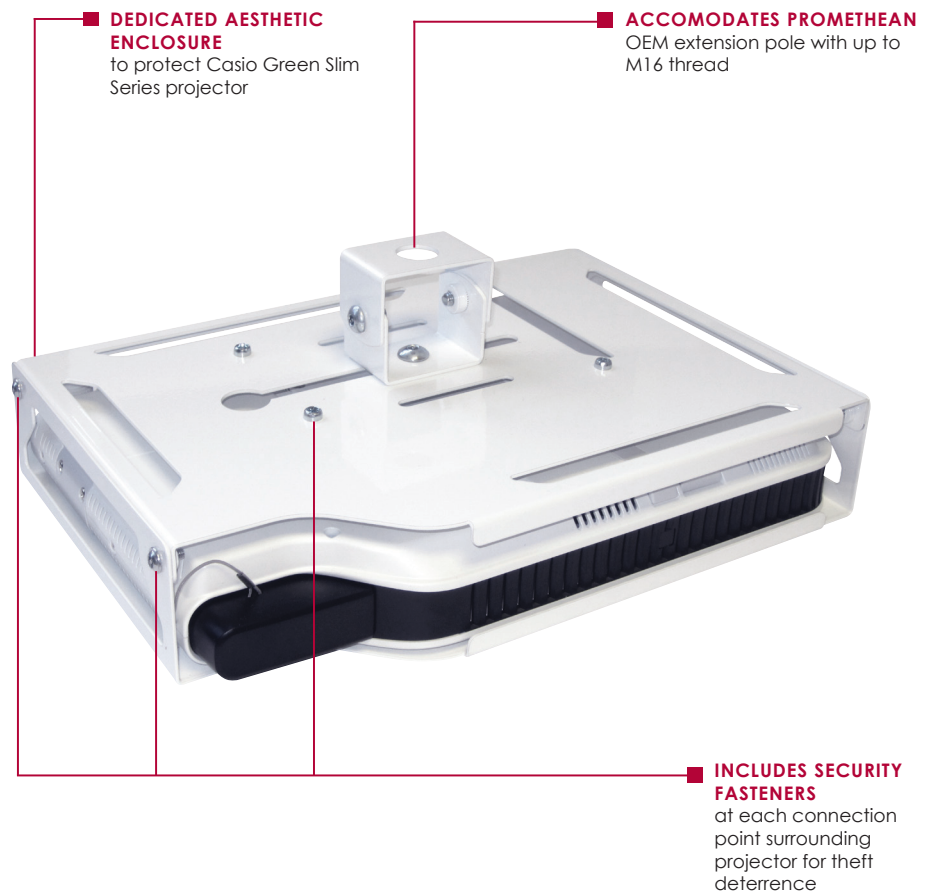
Dedicated



Dedicated

### FEATURES

- Protective enclosure provides physical as well as visual security measures
- Security screws provided for added theft resistance
- Ventilation to ensure proper projector operation
- Access for all projector input connection points
- Accommodates Promethean OEM extension pole with up to M16 thread
- $\pm 35^\circ$  tilt,  $360^\circ$  swivel
- $\pm 50$ mm lateral adjustment



Ventilation cut-outs



Full access to projector controls

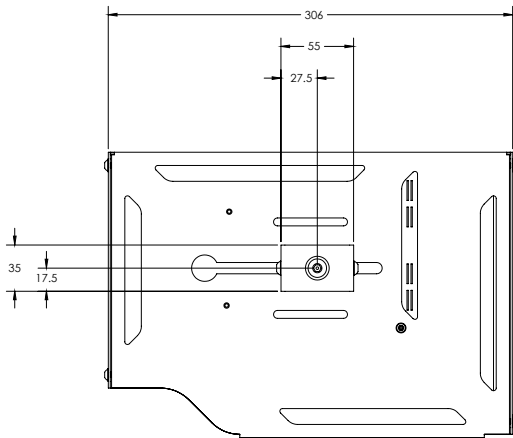
**PCASPRM-W:** Casio Enclosure 1m Projector Mount Kit

**Product Specifications**

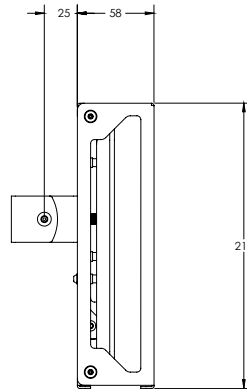
	<b>DIMENSIONS (W x H x D)</b>	<b>PRODUCT WEIGHT</b>	<b>LOAD CAPACITY</b>	<b>FINISH</b>	<b>AVAILABLE COLORS</b>
<b>PCASPRM-W</b>	306 x 108 x 216mm (12.05" x 4.25" x 8.50")	1.38kg (3.0lbs)	Dedicated	White powder coat paint	White

**Package Specifications**

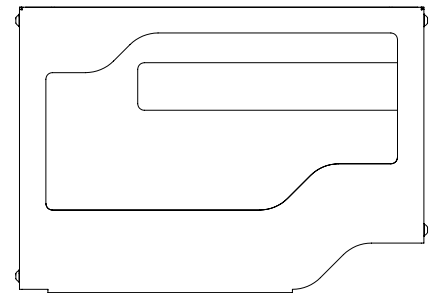
	<b>PACKAGE SIZE (W x H x D)</b>	<b>PACKAGE SHIP WEIGHT</b>	<b>PACKAGE UPC CODE</b>	<b>PACKAGE CONTENTS</b>	<b>UNITS IN PACKAGE</b>
<b>PCASPRM-W</b>	315 x 235 x 90mm (12.40" x 9.25" x 3.54")	1.65kg (3.63lbs)	735029277972	Projector enclosure, Promethean adaptor, projector and assembly hardware	1



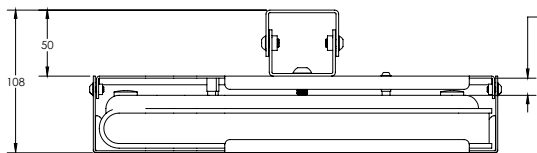
**PLAN VIEW**



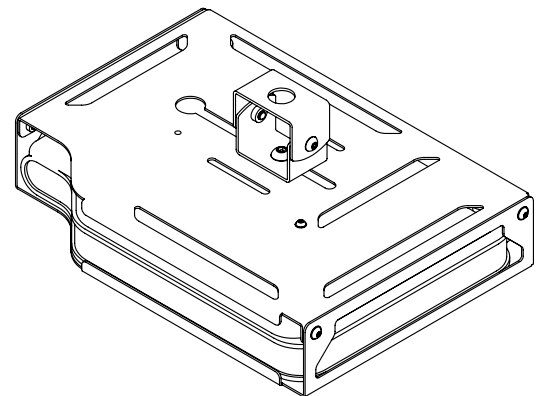
**SIDE VIEW**



**UNDERSIDE VIEW**



**FRONT VIEW**



**ISOMETRIC VIEW**

**ARCHITECTS SPECIFICATIONS**

The Casio Enclosure Promethean Pole Adaptor Kit shall be a Peerless model PCASPRM-W and shall be located where indicated on the plans. It shall feature white powder coat paint finish. Assembly and installation shall be done according to instructions provided by the manufacturer.