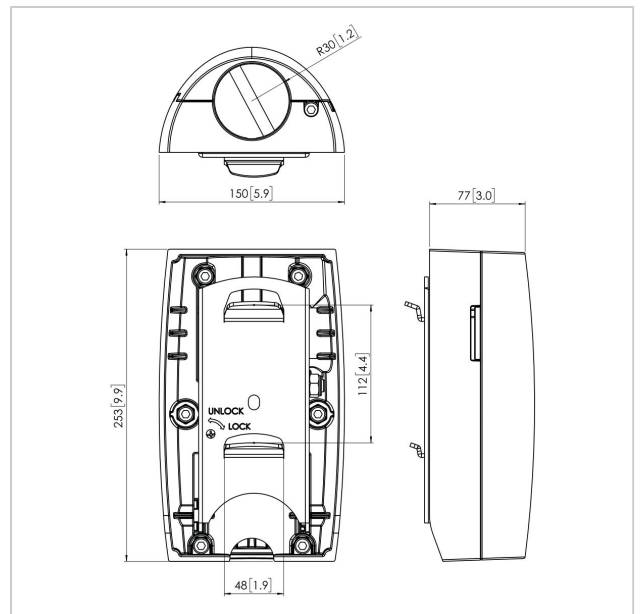


PFA 9001 Turn & tilt unit

Article number (SKU) 7390014
 Colour Silver

The PFA 9001 turn-tilt unit can be used to mount a flat display to the wall, ceiling or floor (in combination with other modular parts).

The PFA 9001 turn-tilt unit is part of a modular system which enables you to create your own ceiling or floor mounting solution for flat displays up to 60 kg. The Autolock® locking system locks the interface onto the mount and prevents the display from falling of the turn-tilt unit when accidentally lifted. The optional lock PFA 9008 blocks the locking system, hence preventing theft. The tilt indicator makes it easy to set up multiple displays at the same angle, for example at airport counters or vidi-walls (max. 20° tilt). For ceiling mounting just add the needed ceiling plate, extension tube and universal flat display interface (FAU 3150/3125). In case of floor mounting add floor stand PFA 9011 and the needed universal flat display interface (FAU 3150/3125).





PFA 9001 Turn & tilt unit

www.vogels.com

VOGEL'S HOLDING BV 2019 (c) All rights reserved.
Subject to printing errors, technical and price amendments.
Date: 2019-05-15

Specifications

Product type number	PFA 9001
Article number (SKU)	7390014
Colour	Silver
EAN single box	8712285305467
TÜV certified	Yes
Tilt	Tilt up to 20°
Turn	Up to 360°
Guarantee	5 years
Max. weight load (kg)	60

