

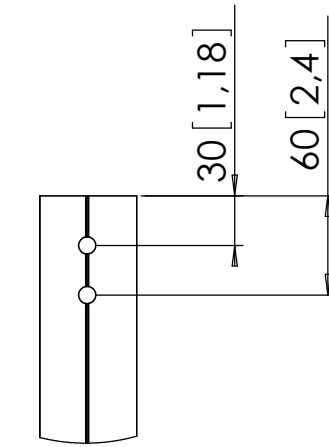
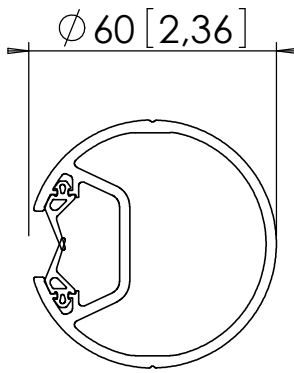
Product data sheet

Dimensions in mm [inch]

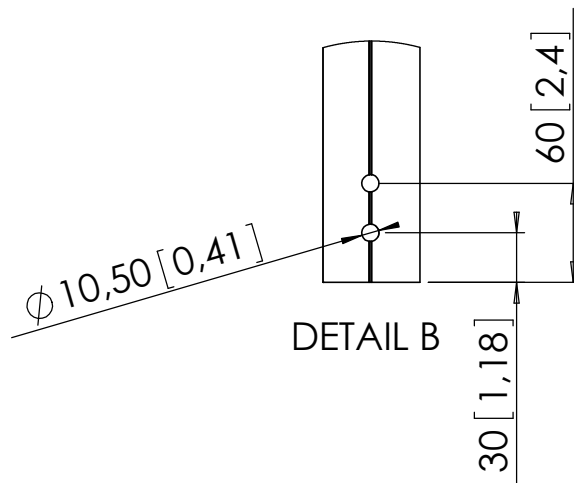
PFA 9003

Extension tube

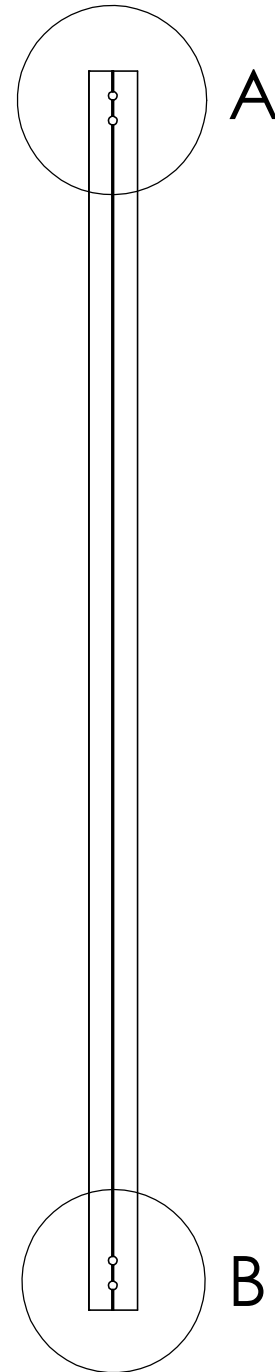
Length 1.5 m / 60"



DETAIL A



DETAIL B



04	27-02-2007	2x hole Ø10,5 added
----	------------	---------------------

Note:
This document and specifications herein are confidential and the exclusive property of Vogel's Products b.v. Neither this design nor any information contained in this drawing may be reproduced or disclosed to others without written consent of Vogel's Products b.v. The design and information will not be reproduced, copied or used, either in part or in its entirety, as the basis for the manufacture or sale of items without written permission.