

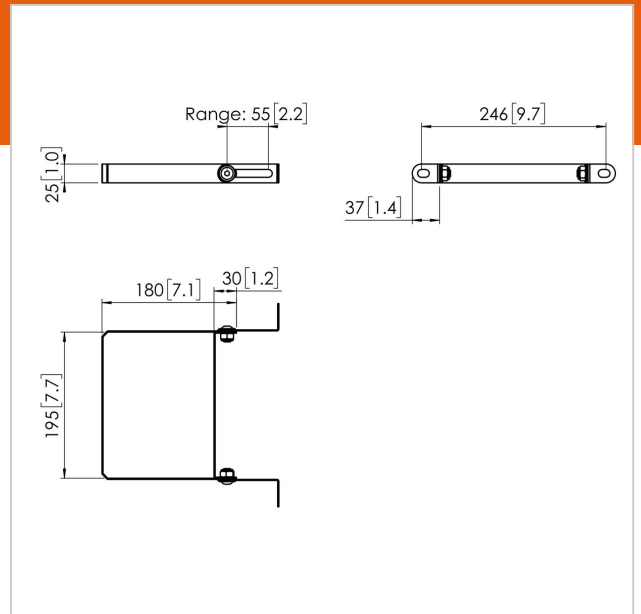


PFA 9134 Wall bracket motorized display lift

Article number (SKU)
Colour

7391340
Black

Wall bracket for the PFFE 7105 / 7106 Motorized display lift. The bracket needs to be used when the lift is secured to the floor directly.





PFA 9134 Wall bracket motorized display lift

www.vogels.com

VOGEL'S HOLDING BV 2019 (c) All rights reserved.
Subject to printing errors, technical and price amendments.
Date:2019-05-13

Specifications

Product type number	PFA 9134
Article number (SKU)	7391340
Colour	Black
EAN single box	8712285337246
Guarantee	5 years