

## PFI 3035 Display interface

Article number (SKU)  
Colour

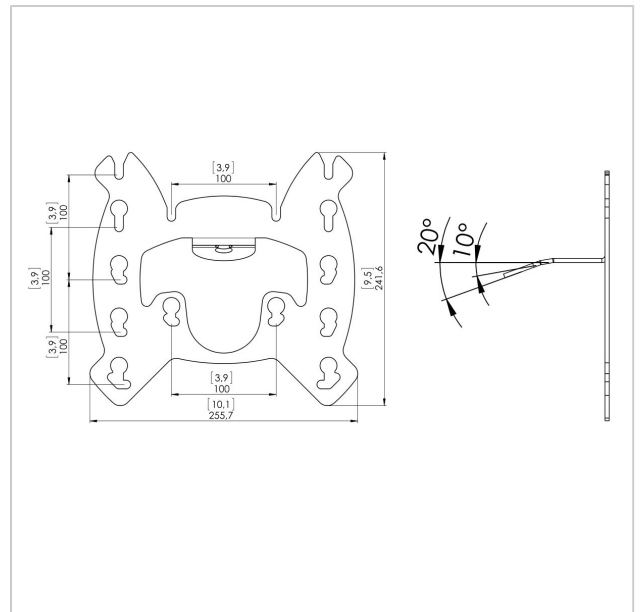
7230350  
Black

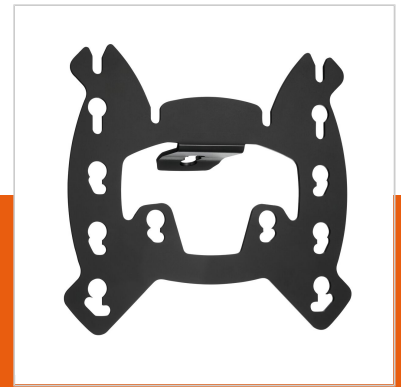
### Key Benefits

- Post-installation levelling
- Tilt function in steps

The PFI 3035 display interface is a part of the modular Connect-it system. This interface is suitable for VESA up to 200x200.

The PFI 3035 is suitable for VESA 100x100, 200x100 or 200x200 mm and up to 30 kg. This interface is equipped with a levelling and tilting function (increments 0-10-20°). Combine this display interface with one of the Connect-it ceiling plates and poles for a perfect ceiling solution.





## PFI 3035 Display interface

[www.vogels.com](http://www.vogels.com)

VOGEL'S HOLDING BV 2019 (c) All rights reserved.  
Subject to printing errors, technical and price amendments.  
Date: 2019-05-10

## Specifications

Product type number	PFI 3035
Article number (SKU)	7230350
Colour	Black
EAN single box	8712285330803
TÜV certified	Yes
Tilt	Tilt up to 20°
Guarantee	5 years
Max. weight load (kg)	30
Max. bolt size	M8
Max. height of interface (mm)	242
Max. width of interface (mm)	256

