

PFI 3045 Display interface

Article number (SKU)
Colour

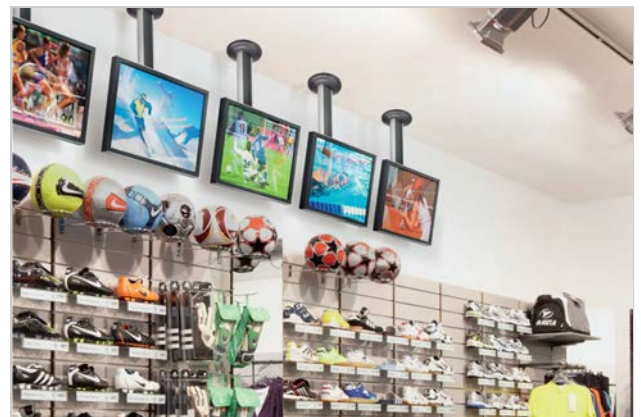
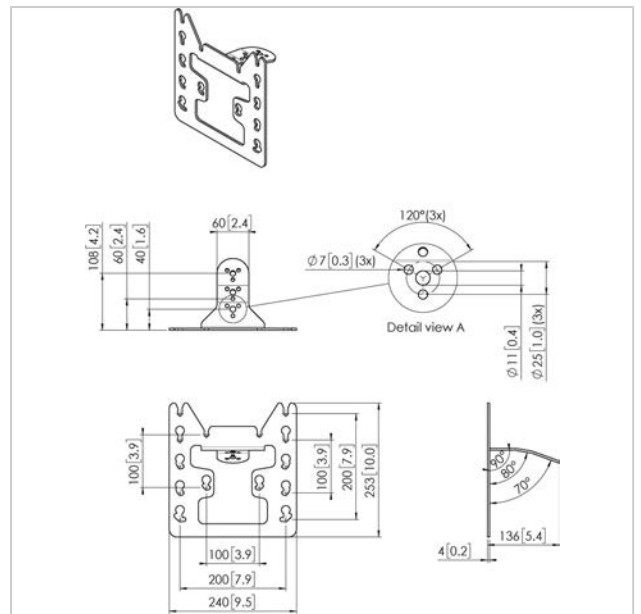
7230450
Black

Key Benefits

- Post-installation levelling
- Tilt function in steps

The PFI 3045 display interface is a part of the modular Connect-it system.

The PFI 3045 is suitable for VESA 100x100, 200x100 or 200x200 mm and up to 30 kg. This interface is equipped with a levelling and tilting function (increments 0-10-20°). Combine this display interface with one of the Connect-it ceiling plates and poles for a perfect ceiling solution.





PFI 3045 Display interface

www.vogels.com

VOGEL'S HOLDING BV 2019 (c) All rights reserved.
Subject to printing errors, technical and price amendments.
Date:2020-02-07

Specifications

Product type number	PFI 3045
Article number (SKU)	7230450
Colour	Black
EAN single box	8712285343889
Height	253
Width	240
Depth	140
TÜV certified	Yes
Tilt	Tilt up to 20°
Guarantee	5 years
Max. weight load (kg)	30
Max. bolt size	M8
Max. height of interface (mm)	253
Max. width of interface (mm)	240
Max. screen size (inch)	43
Min. screen size (inch)	19

