

PFS 3306 Display interface strips tilt

Article number (SKU)
Colour

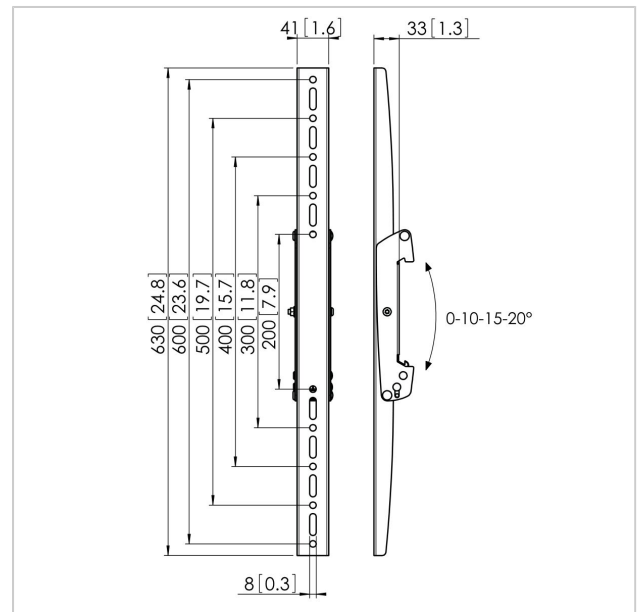
7233060
Black

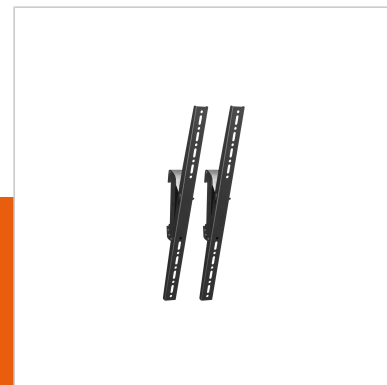
Key Benefits

- Modular
- Quick and easy installation
- Theft prevention
- Tilt function in steps

The PFS 3306 interface display strips is part of the modular Connect-it system with which you can create your own ceiling or floor solution for medium to large sized displays.

The PFS 3306 is suitable for medium to large sized displays up to 80 kg with a max. vertical fitment of 600 mm. For creating a ceiling solution combine the PFS 3306 with a Connect-it ceiling plate, pole (PUC 25xx Series) and interface bar (PFB 34xx Series). For creating a floor solution combine the PFS 3306 with a Connect-it floor plate/ trolley, pole (PUC 27xx Series) and interface bar (PFB 34xx Series). The PFS 3306 can also be combined with the motorized products (PFFE 7110, PFTE 7112, PFEW 7150).





PFS 3306 Display interface strips tilt

www.vogels.com

VOGEL'S HOLDING BV 2019 (c) All rights reserved.
Subject to printing errors, technical and price amendments.
Date: 2020-03-09

Specifications

Product type number	PFS 3306
Article number (SKU)	7233060
Colour	Black
EAN single box	8712285318900
Height	630
TÜV certified	Yes
Tilt	Tilt up to 20°
Guarantee	5 years
Max. weight load (kg)	80
Max. bolt size	M8
Max. height of interface (mm)	630
Max. width of interface (mm)	41
Connect It exceptions	2x back-to-back
Max. vertical hole pattern (mm)	600
Min. vertical hole pattern (mm)	200
Service position	No

