

PFT640

Universal Fixed Tilt Wall Mount for 23" to 46" Flat Panel Screens

The unique single rail design of the PFT640 makes it the fastest and easiest mount to install yet. Simply hook the screen on to the single-rail wall plate to simultaneously set the tilt angle and secure it. Its patent-pending safety hooks prevent the screen from accidentally being dislodged, delivering a peace-of-mind with every installation. Its simplistic design and functionality provide the ultimate in value.



Screen size: 23"-46"



Max load: 100lb (45kg)

FEATURES

- Universal mount fits screens with mounting patterns up to 17.85"W x 12.94"H (453 x 329mm) and VESA® compliant up to 400 x 300mm
- Integrated tilt feature with fixed angles of 0°, 2°, 5° and 10° for increased functionality and viewing flexibility
- Low-profile design holds screen only 1.7" (43mm) from the wall for a clean application
- Easy-glide brackets easily hook onto wall plate for a simple, safe and quick installation
- Safety tabs ensures screen is securely attached to wall plate
- Horizontal screen adjustment of up to 6" (depending on screen model) for perfect screen placement
- Mounts to wood studs, concrete, cinder block or metal studs (metal stud accessory required)
- Comes with Peerless' Sorted-for-You™ fastener pack with all necessary screen attachment hardware
- UL listed

■ CLOSE TO THE WALL

Low-profile design keeps screen 1.7" (43mm) from the wall

■ VIEWING FLEXIBILITY

Horizontal screen adjustment up to 6" (152mm) for perfect screen positioning

■ EASY INSTALLATION

Universal brackets easily hook onto wall plate for fast installation

■ PEACE OF MIND

Safety tab ensures screen is securely attached to wall plate



TILT ANGLE OPTIONS



0°



2°



5°



10°



RoHS

CLICK: www.peerlessmounts.com

CALL: 800.865.2112

FAX: 708.865.2941

peerless®

Model Numbers

WARRANTY: Limited 5-year

PFT640	Universal Fixed Tilt Wall Mount for 23" to 46" Flat Panel Screens
---------------	---

Product Specifications

	DIMENSIONS (W x H x D)	PRODUCT WEIGHT	LOAD CAPACITY	FINISH	AVAILABLE COLORS
PFT640	19.25" x 13.75" x 1.7" (489 x 349 x 43mm)	3.4lb (1.54kg)	100lb (45kg)	Scratch resistant fused epoxy	Gloss black

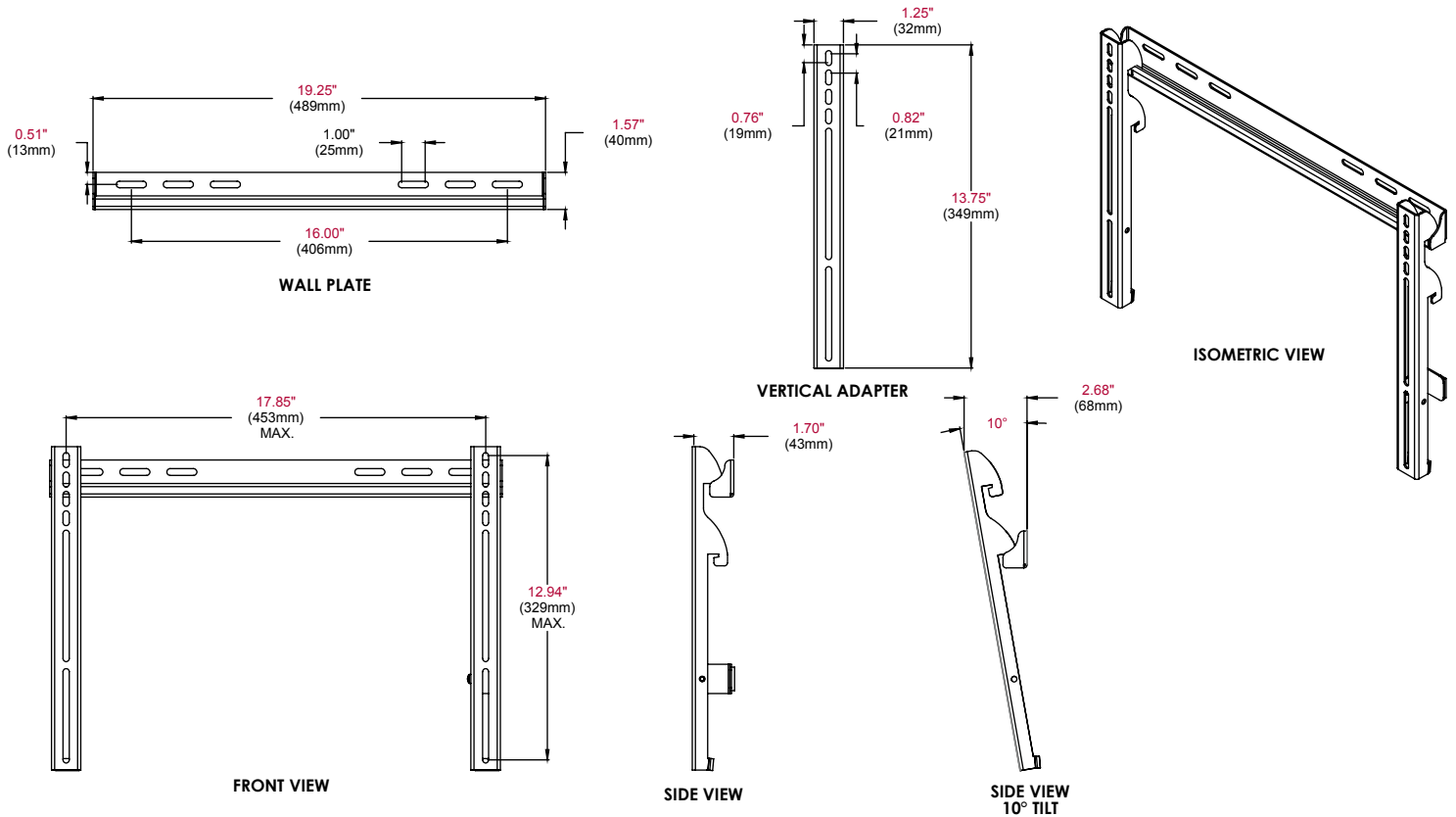
Package Specifications

	PACKAGE SIZE (W x H x D)	PACKAGE SHIP WEIGHT	PACKAGE UPC CODE	PACKAGE CONTENTS	UNITS IN PACKAGE
PFT640	20.5" x 4.375" x 2.125" (521 x 111 x 54mm)	3.8lb (1.72kg)	735029249917	Wall plate, universal brackets, mounting and screen attachment hardware	1

Accessories

ACC215:	2-pack Metal Stud Fastener Kit
----------------	--------------------------------

All dimensions = inch (mm)



ARCHITECTS SPECIFICATIONS

The Universal Fixed Tilt Wall Mount shall be a Peerless model PFT640 and shall be located where indicated on the plans. It shall be constructed of heavy gauge cold rolled steel and finished with scratch resistant Black Fused Epoxy. Assembly and installation shall be done according to instructions provided by the manufacturer.