

PFW 4200 Display wall mount fixed

Article number (SKU)
Colour

7042000
Black

Key Benefits

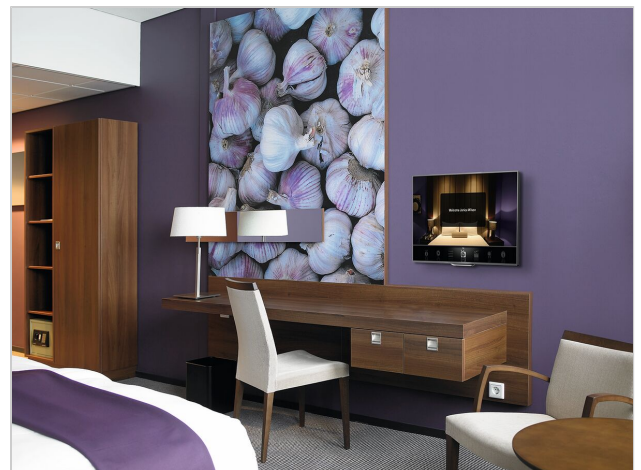
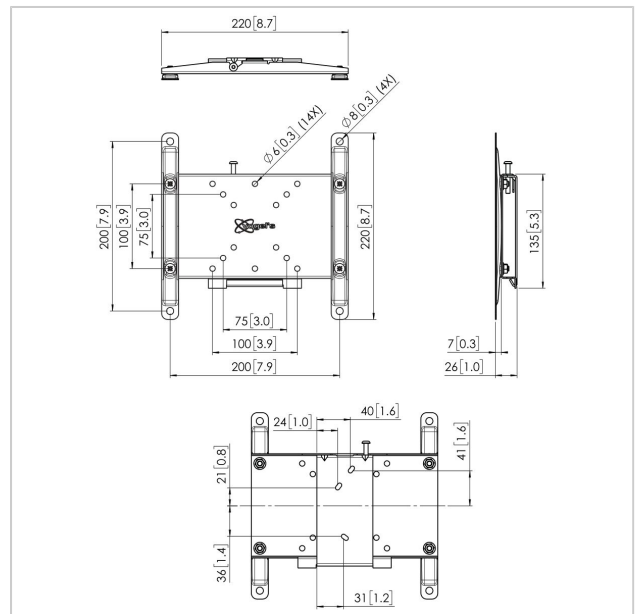
- Easy to install
- Stylish design
- Theft prevention

Anti-theft wall mount for public areas

The PFW 4200 is suitable for 19 to 42 inch displays weighing up to 30 kg. This wall mount is especially designed for hospitality and public areas that cannot be continuously supervised. The locking mechanism securely locks the display in place, while still allowing easy access to the display or TV for servicing. The lock also prevents the display from being accidentally knocked of the wall. unintentional bumping the display or TV from the wall.

Solid, secure and easy to install

All 4000-series products are TÜV5 certified. Offering maximum safety in any public space or hotel environment. The Vogel's PFW 4200 wall mount is only 27mm deep. Making the mount almost invisible.





PFW 4200 Display wall mount fixed

www.vogels.com

VOGEL'S HOLDING BV 2019 (c) All rights reserved.
Subject to printing errors, technical and price amendments.
Date: 2019-04-26

Specifications

Product type number	PFW 4200
Article number (SKU)	7042000
Colour	Black
EAN single box	8712285330988
TÜV certified	Yes
Guarantee	5 years
Max. weight load (kg)	30
Max. bolt size	M6
Max. height of interface (mm)	135
Max. width of interface (mm)	220
Fischer inside	Yes
Lock options	Lock included / integrated
Max. horizontal hole pattern (mm)	200
Max. screen size (inch)	42
Max. vertical hole pattern (mm)	200
Min. distance to the wall (mm)	27
Min. horizontal hole pattern (mm)	50
Min. screen size (inch)	10
Min. vertical hole pattern (mm)	50
Universal or fixed hole pattern	Fixed

