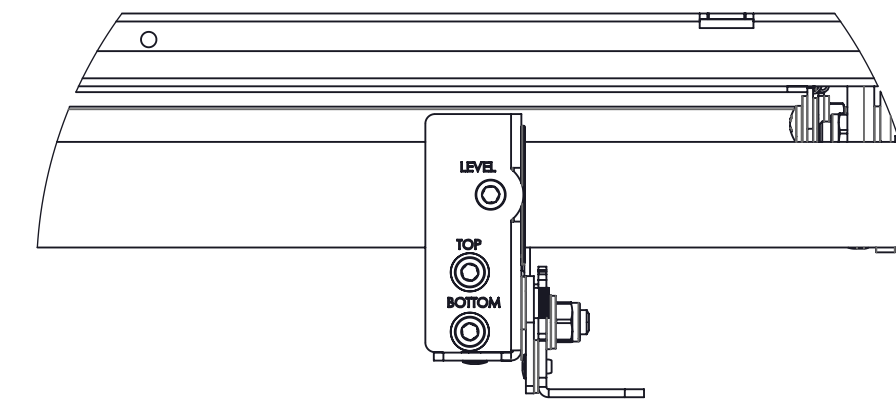
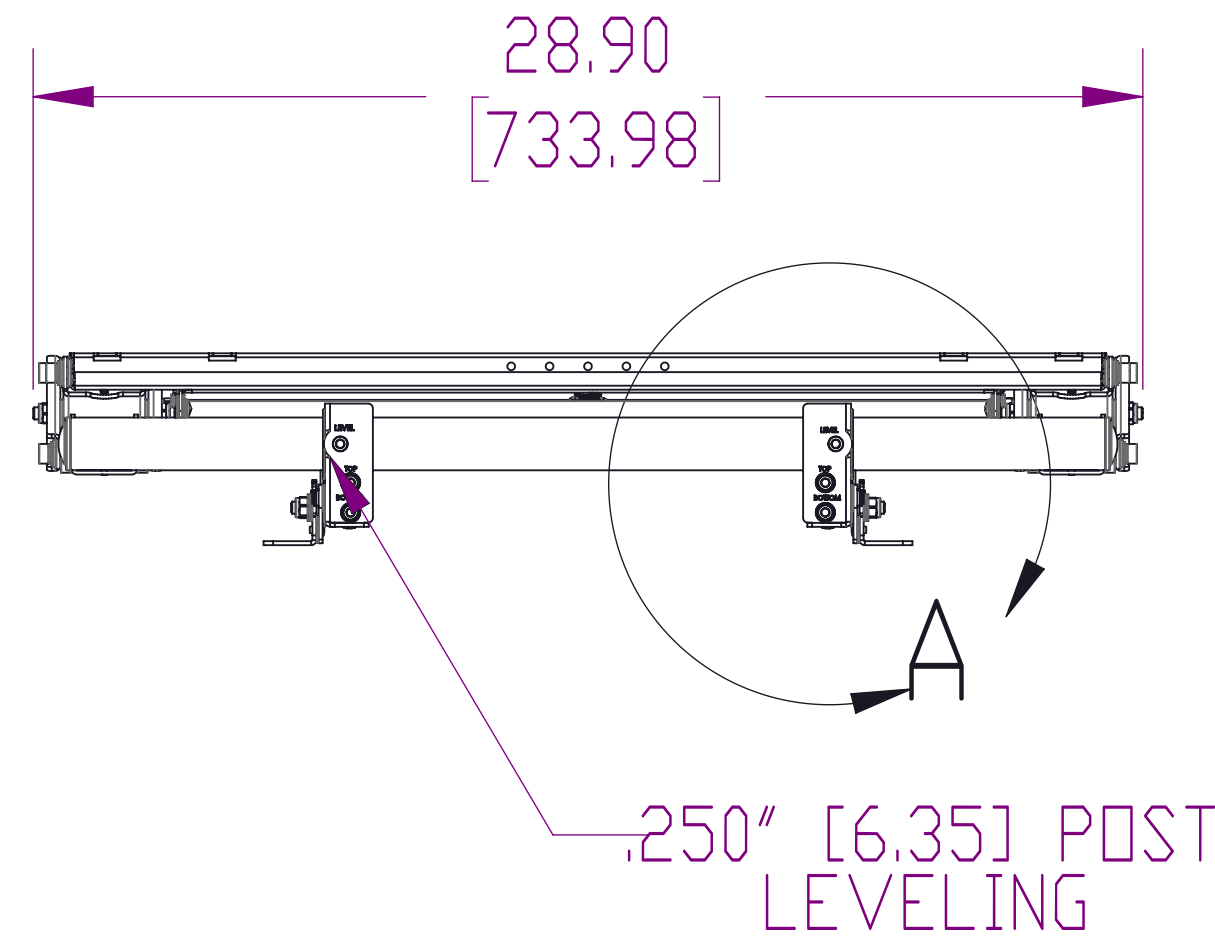
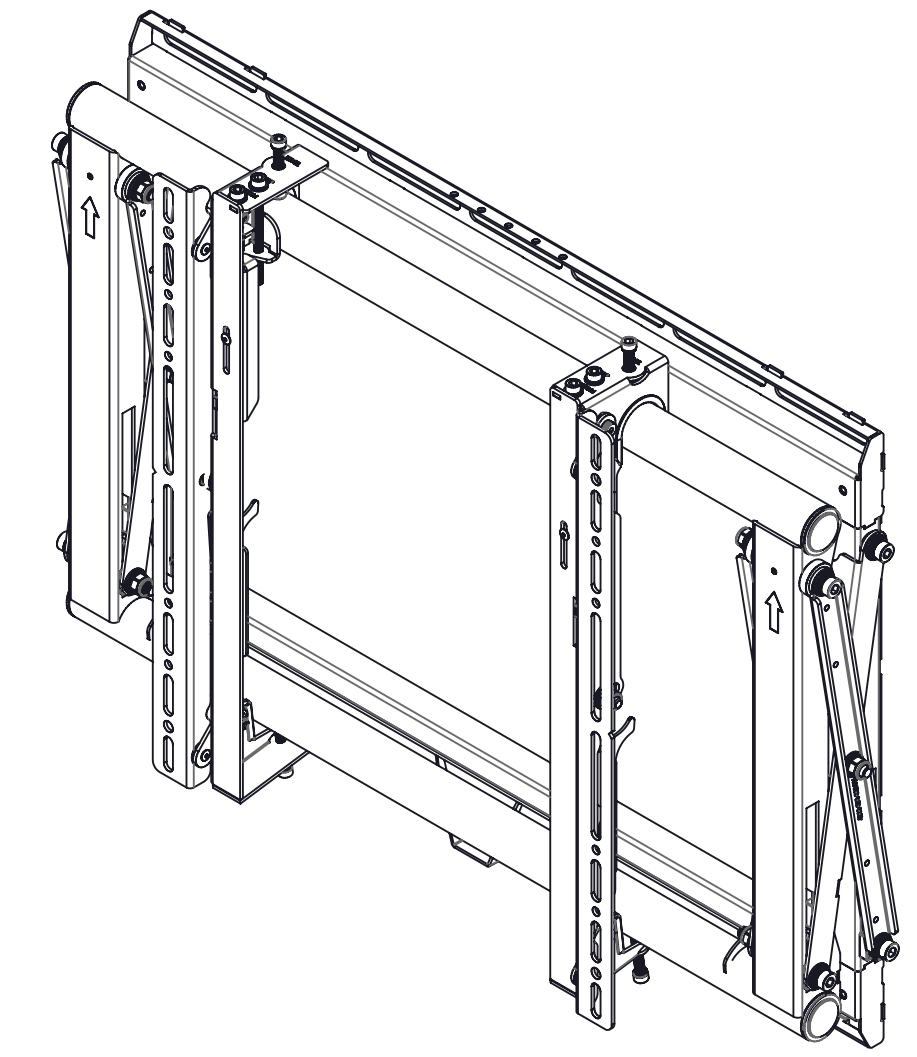


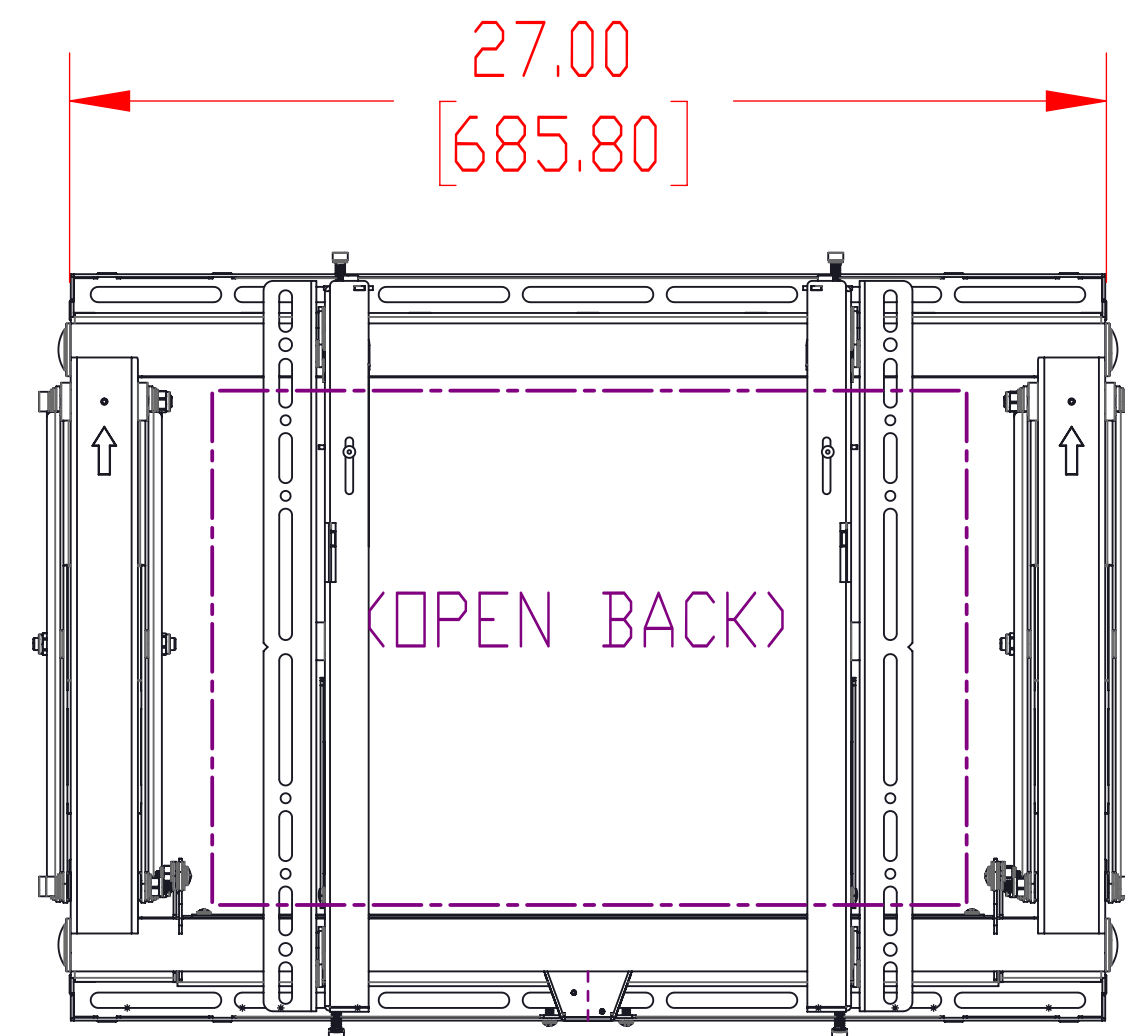
CENTRALIZED ADJUSTMENTS
ALIGN THE DISPLAY ON THE
X, Y AND Z PLANE, LOCATED ON TOP OF
THE MOUNTING BRACKETS



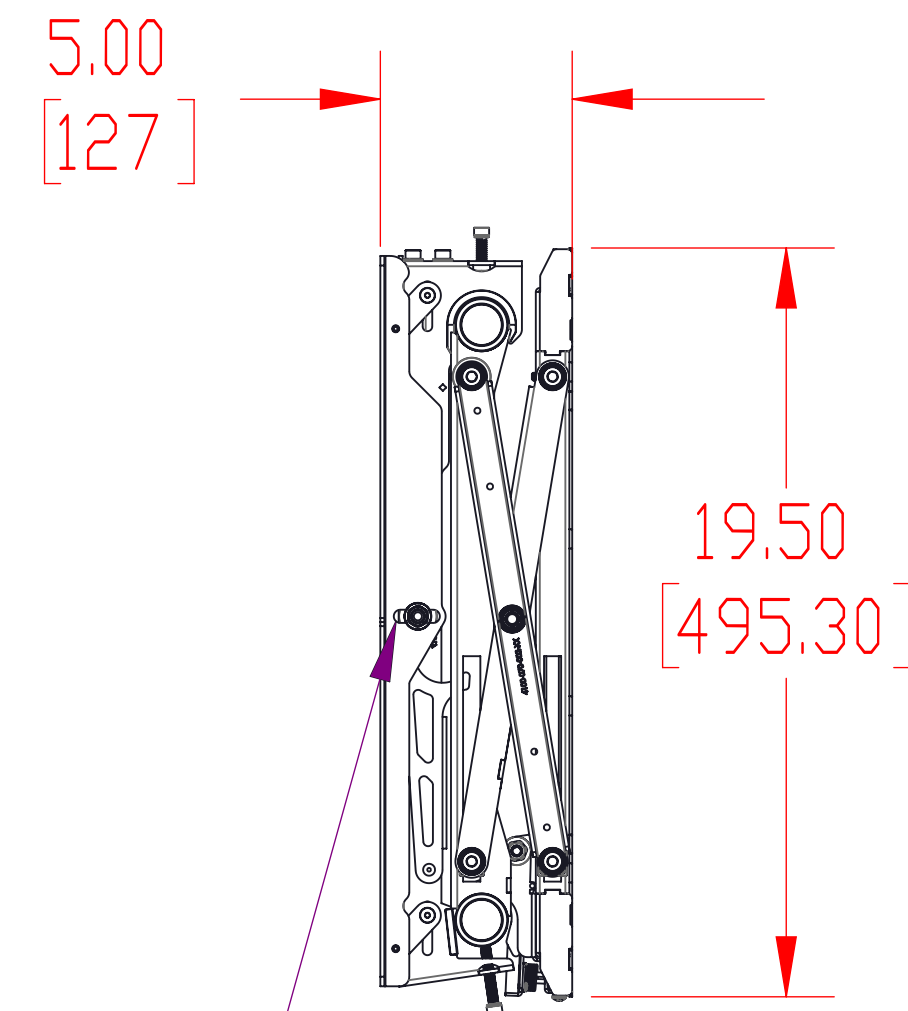
DETAIL A
SCALE 1 : 5



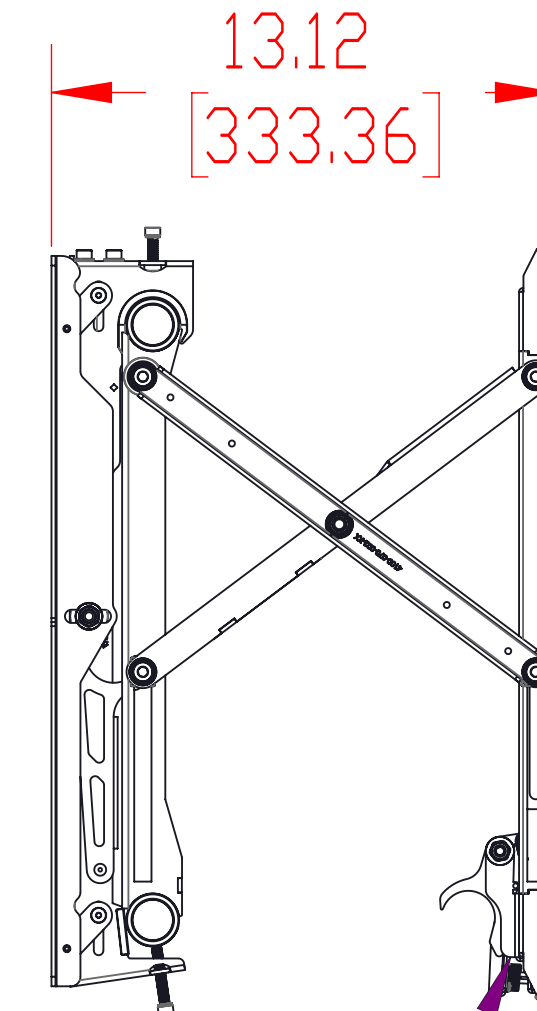
VESA PATTERN
(200X200 MIN - 600 X 400 MAX)



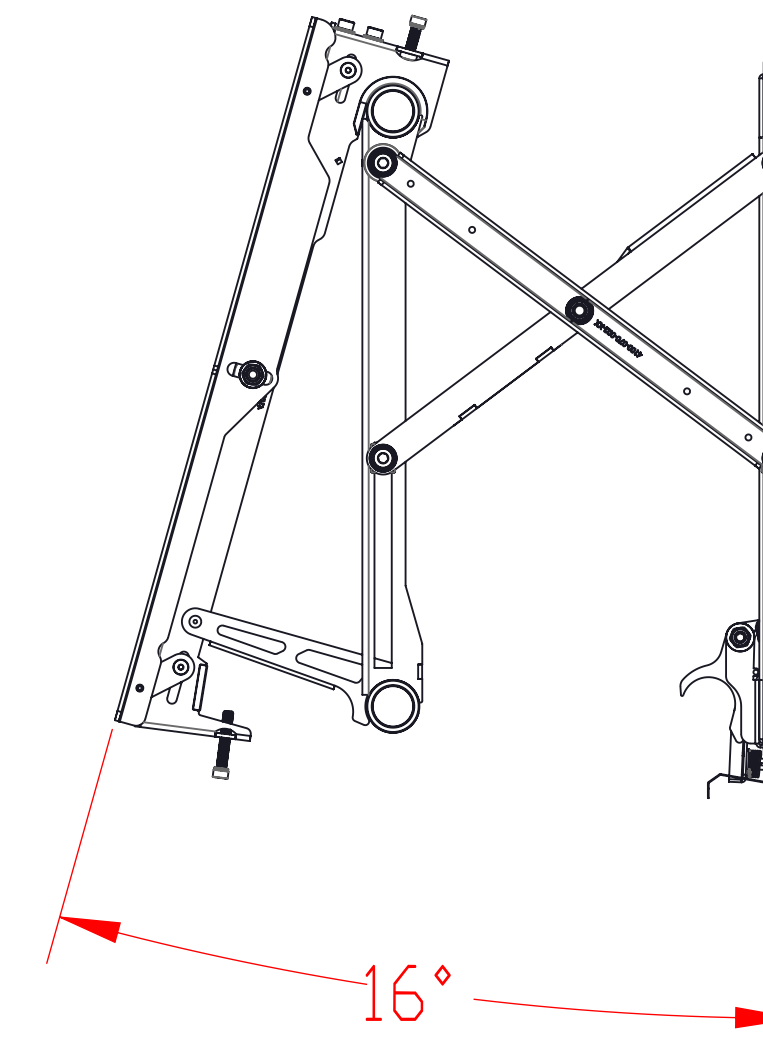
(FULLY COLLAPSED)



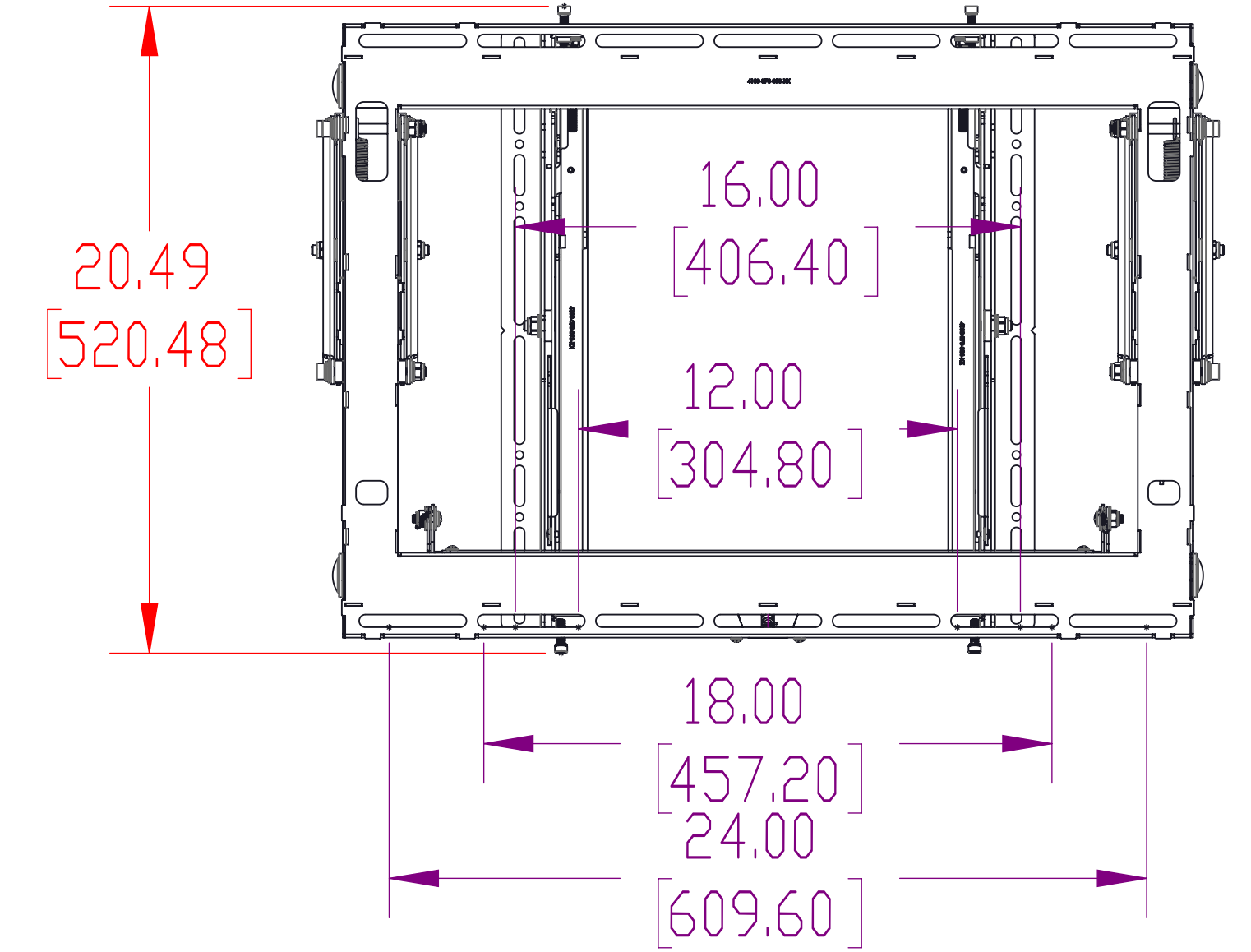
(FULLY EXTENDED)



(SERVICE POSITION)

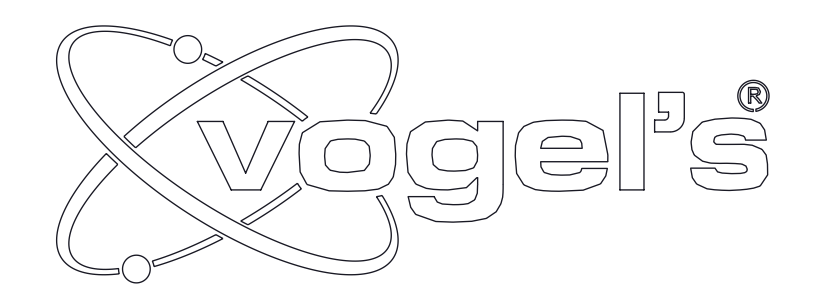


(SINGLE SPRING
LOADED LATCH)



IN/OUT ADJUSTMENT ±.375"

DIMENSION ARE IN INCH AND [MM]
MAXIMUM WEIGHT CAPACITY 160 LBS



ITEM DESCRIPTION:
PRESS AND RELEASE POP OUT MOUNT

SIZE B DWG. NO. LMV

SCALE: 1:1 SHEET 1 OF 1