

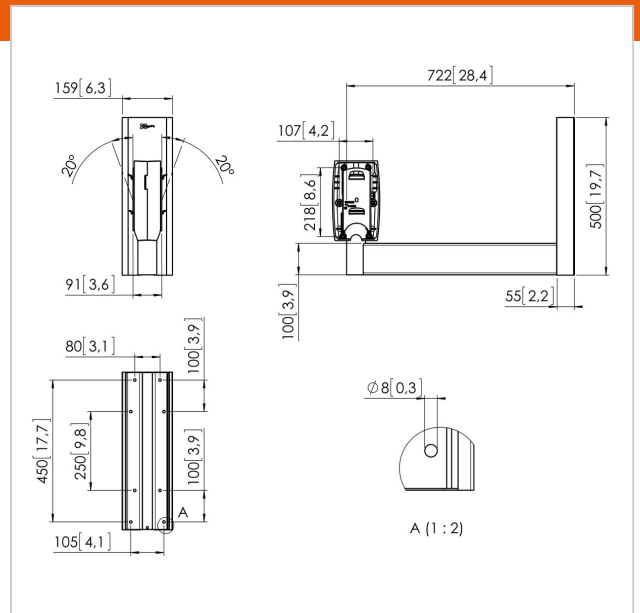


PFW 952 Display wall mount right-angled back-to-back

Article number (SKU)
Colour

7319524
Silver

The PFW 952 right-angled flat display wall mount back-to-back features a wall mounting plate with a 72 cm arm and turn and tilt unit. NOT including 2 interfaces FAU 3150 or FAU 3125. Suitable for displays up to 42".



PFW 952 Display wall mount right-angled back-to-back

www.vogels.com



VOGEL'S HOLDING BV 2019 (c) All rights reserved.
Subject to printing errors, technical and price amendments.
Date:2019-05-13

Specifications

Product type number	PFW 952
Article number (SKU)	7319524
Colour	Silver
EAN single box	8712285305245
TÜV certified	Yes
Tilt	Tilt up to 20°
Turn	Up to 180°
Guarantee	5 years
Max. weight load (kg)	60
Fischer inside	Yes
Max. screen size (inch)	42
Min. screen size (inch)	23
Number of pivot points	1

