

PJR125  
PJR125-W



**Max Load**  
125lb (56.7kg)

# Heavy Duty Universal Projector Mount

FOR PROJECTORS UP TO 125LB (56.7KG)

Peerless-AV's Heavy Duty Universal Projector Mount is the perfect mounting solution for heavy, laser projectors up to 125lb. The Hook-and-Hang™ feature provides a large landing area when securing a projector to the mount. The tilt, roll and swivel features are all lockable to prevent even the smallest shift of the image. Six universal legs provide additional support for projectors with more than four mounting holes and are completely adjustable.

## Landscape Orientation



+15/-5°  
Pitch

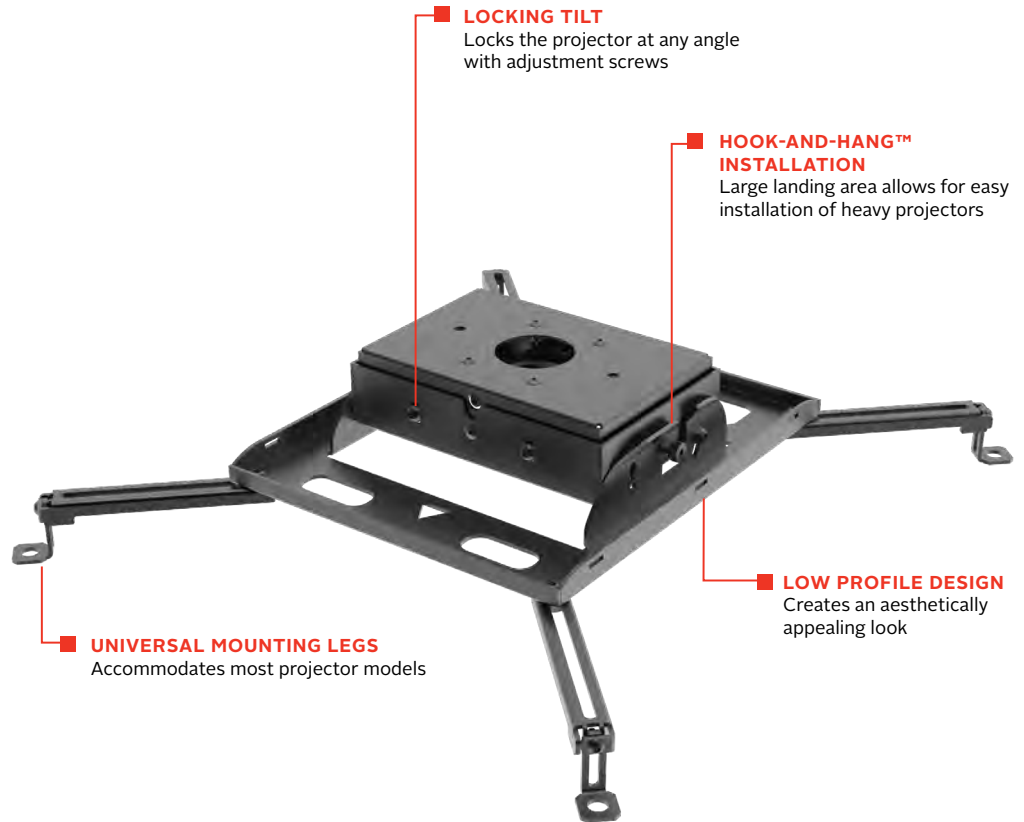


±5°  
Roll



360°  
Swivel

- Pre-assembled design reduces installation time
- Includes six universal mounting legs (four preinstalled)
- Universal adaptor plate extends up to a 25.5" (648mm) mounting pattern to accommodate most projector models
- Cable management allows cables to be routed through the mount and out of sight
- Pitch: +15/-5°  
Roll: ±5°  
Swivel: 360°
- Simple Hook-and-Hang™ design eases the installation of heavy projectors
- PJR125(-W) works with Peerless-AV® ADD%, AEC%, EXT%, MOD% extension columns



RoHS  
2002/95/EC



✉ info@peerless-av.com  
🌐 peerless-av.com

**peerless-AV®**  
Driving Technology Through Innovation

**PJR125(-W)** Heavy Duty Universal Projector Mount for Projectors up to 125lb (56.7kg)

**Product Specifications**

	DIMENSIONS (W x H x D)	PRODUCT WEIGHT	LOAD CAPACITY	FINISH	AVAILABLE COLORS
PJR125(-W)	18.12" x 4.38" x 20.15" (460 x 111 x 512mm)	7.25lb (3.29kg)	125lb (56.7kg)	Powder Coat	PJR125: Black PJR125-W: White

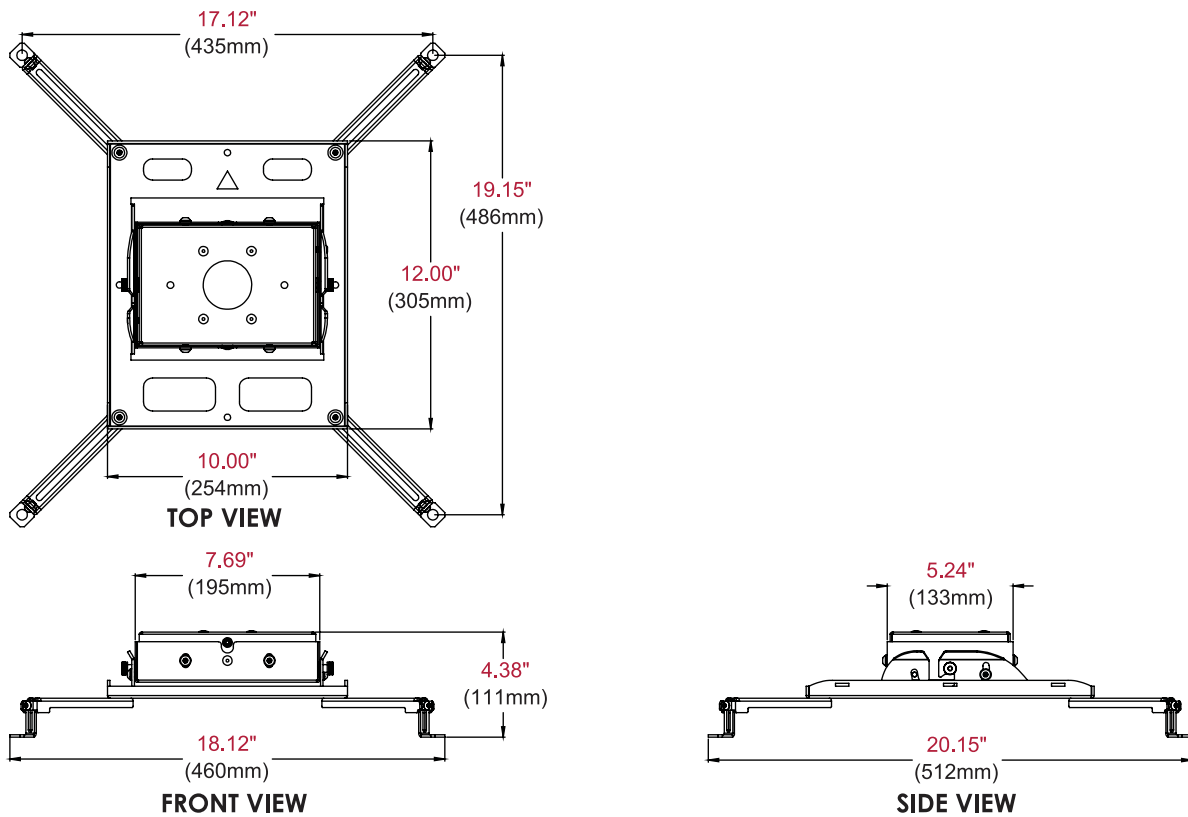
**Package Specifications**

	PACKAGE SIZE (W x H x D)	PACKAGE SHIP WEIGHT	PACKAGE UPC CODE	PACKAGE CONTENTS	UNITS IN PACKAGE
PJR125(-W)	15.80" x 7.00" x 17.30" (401 x 178 x 439mm)	8.8lb (4.00kg)	PJR125: 735029324621 PJR125-W: 735029332985	Projector Mount, Mounting Hardware & Instructions	1

**Accessories**

- AEC & EXT MODELS: Threaded Extension Columns
- MOD MODELS: Modular Extension Columns
- ACC050: Extension Column Stabilizer Kit
- ACC109: Extension Column Connector
- ACC570: Round Ceiling Plate
- CMJ300, CMJ310: Unistrut® and Structural Ceiling Plates
- DCS200: Structural Ceiling Plate with Stress Decoupler

All dimensions = inch (mm)



**Architect Specifications**

The Heavy Duty Universal Projector Mount shall be a Peerless-AV model PJR125(-W) and shall be located where indicated on the plans. Assembly and installation shall be done according to instructions provided by the manufacturer.

Visit [peerless-av.com](http://peerless-av.com) to see the complete line of AV solutions from Peerless-AV, including outdoor displays, wireless, kiosks, digital audio, display mounts, projector mounts, carts/stands, and a full assortment of accessories.

**Peerless-AV**  
2300 White Oak Circle  
Aurora, IL 60502 USA  
**(800) 865-2112**  
**(630) 375-5100**  
**Fax: (800) 359-6500**

**Peerless-AV EMEA**  
Unit 3 Watford Interchange  
Colonial Way, Watford  
Herts, WD24 4WP  
United Kingdom  
**+44 (0) 1923 200100**  
**Fax: +44 (0) 1923 200101**

**Peerless-AV Latin America**  
Ave de las Industrias 413  
Parque Industrial Escobedo  
Escobedo, N.L.,  
Mexico 66062  
**+52 (81) 8384-8300**  
**Fax: +52 (81) 8384-8360**

