

## PLA 8211 LED interface top/ bottom, 1 pc

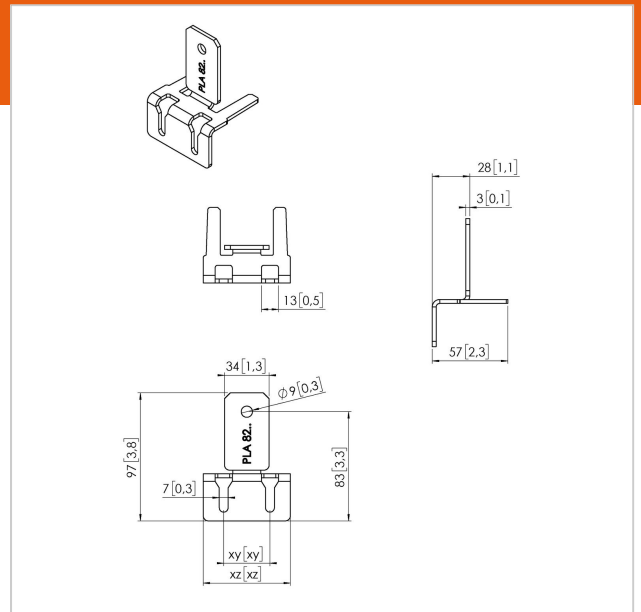
Article number (SKU)  
Colour

7182114  
Stainless Steel

### Key Benefits

- Easy to install

The PLA 8211 is custom made interface and can be used on the top or bottom of the LED video wall. The dimensions of the bracket differ per LED-tile model. The PLA 8211 is suitable for installing for following LED tile models: Retop - Hipad Philips - 27BDL90xxL



## PLA 8211 LED interface top/ bottom, 1 pc

[www.vogels.com](http://www.vogels.com)



VOGEL'S HOLDING BV 2019 (c) All rights reserved.  
Subject to printing errors, technical and price amendments.  
Date: 2019-08-09

## Specifications

Product type number	PLA 8211
Article number (SKU)	7182114
Colour	Stainless Steel
EAN single box	8712285339929
TÜV certified	Yes
Guarantee	5 years

