

# PLA 8303 LED interface middle, 1 pc

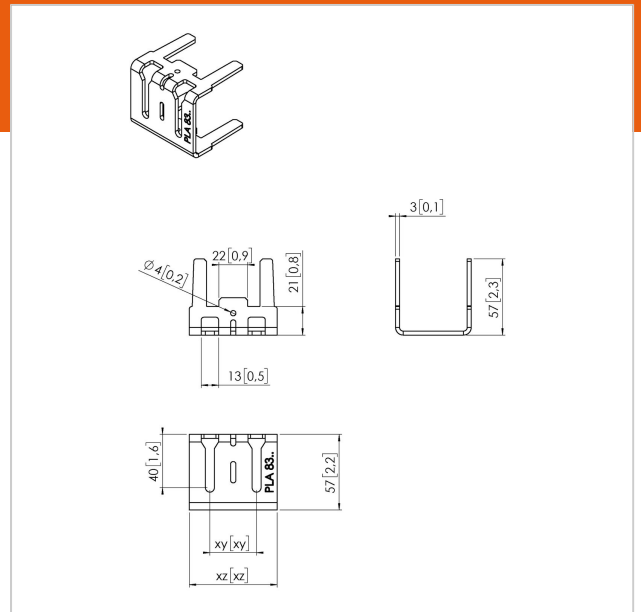
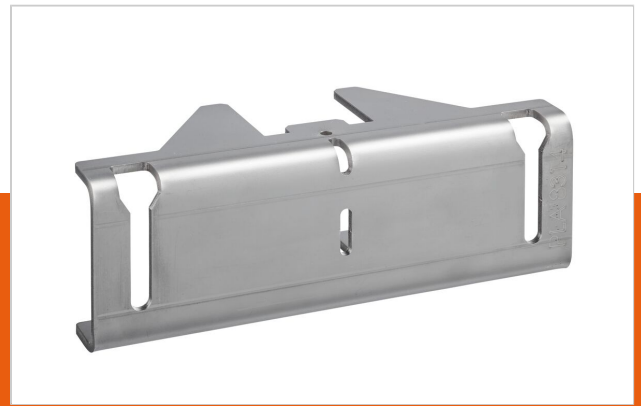
Article number (SKU)  
Colour

7183034  
Stainless Steel

## Key Benefits

- Easy to install

The PLA 8303 is custom made and can be used in the middle of the LED video wall. The dimensions of the bracket differ per LED-tile model.





## PLA 8303 LED interface middle, 1 pc

[www.vogels.com](http://www.vogels.com)

VOGEL'S HOLDING BV 2019 (c) All rights reserved.  
Subject to printing errors, technical and price amendments.  
Date: 2019-08-09

## Specifications

|                      |                 |
|----------------------|-----------------|
| Product type number  | PLA 8303        |
| Article number (SKU) | 7183034         |
| Colour               | Stainless Steel |
| EAN single box       | 8712285339240   |
| TÜV certified        | Yes             |
| Guarantee            | 5 years         |

